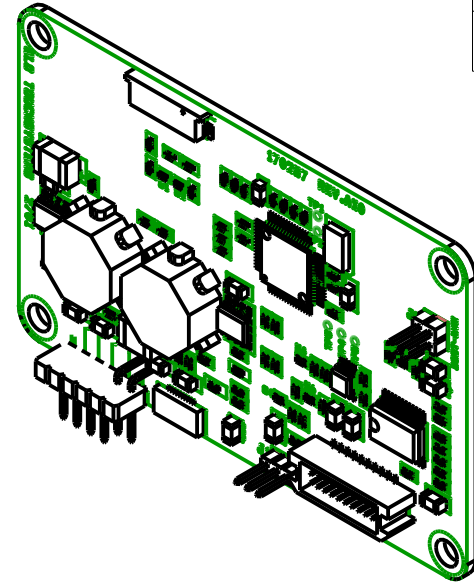


ELO TOUCH SOLUTIONS CONTROLLER

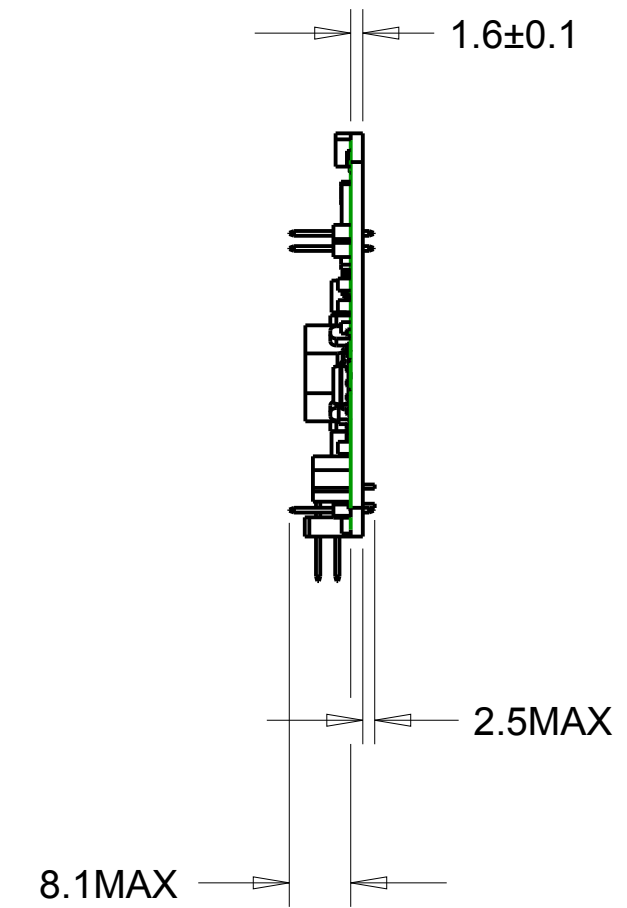
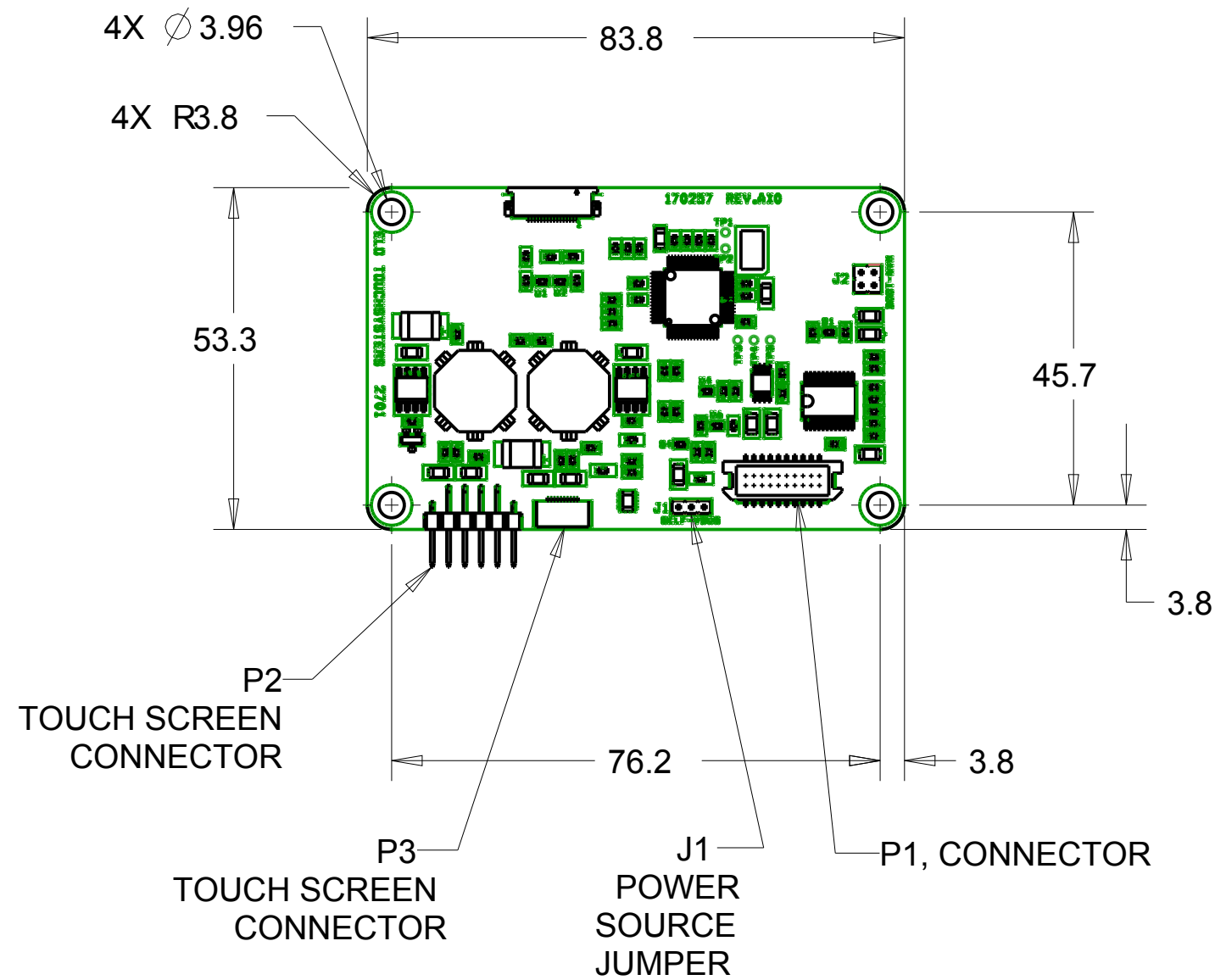
2701 CONTROLLER FAMILY DIMENSIONAL DRAWING

PART NUMBER	PART NUMBER DESCRIPTION
D68054-000	CTR-270100-RSU-00-R
E437578	CTR-270100-RSU-03-R
E990133	CTR-270100-RSU-05-R
E937215	CTR-270100-RSU-06-R
E921253	CTR-270100-RSU-08-R
E663189	CTR-270100-RSU-J0-R



NOTE:

3D FILES ARE ALSO AVAILABLE, CONTACT ELO CUSTOMER SERVICE FOR MS600473.



REVISIONS					
REV	ZONE	BY	DESCRIPTION	DATE	APPROVED
A	--	HAG	RELEASED PER ECO 6295	09.19.06	CCB
B	--	HAG	REVISED PER ECO XXXX;CHGD MAX LEAD PROTUSION FRM 1.6 TO 2.5	TBD	CCB
C	--	BC	ECO-12-012454; REBRANDED TO ELO TOUCH SOLUTIONS	07.21.12	JR
D	--	DI	REV PER ECO-13-0133, REMOVED TOUCH SOLUTIONS FROM LOGO	05.24.13	
E	--	HJ	ECO-14-0823, UPDATED DRAWING	07.17.14	VP

ITEM NO.	QTY REQ'D	DRAWING OR PART NO.	DESCRIPTION	MATERIAL SPECIFICATION
PARTS LIST				
PART. NO.		UNLESS OTHERWISE SPECIFIED ALL DIMENSIONS ARE IN MILLIMETERS		TITLE
METRIC		DRAWN	DATE	DIMENSIONAL DRAWING, 2701 CONTROLLER FAMILY STANDARD FORM FACTOR
		CHECK	DATE	
DESIGN	DATE	THIRD ANGLE PROJECTION		
DO NOT SCALE DRAWING		TOLERANCES ARE:		SIZE
		DECIMALS	ANGLES	SCALE
		X = ± 0.50	±1 / 2 °	SHEET
		.X = ± 0.25	FRACTIONS	DWG. NO.
		.XX = ± 0.13	±1 / 32	REV
Pro/E .prt/.asm: MS600473.PRT		Pro/E .drw: MS600473_E.DRW		C 1.000 1 OF 2 MS600473 E



P1 POWER / INTERFACE CONNECTOR

P/N : MOLEX 53505-2090,
 1.25MM PITCH 2X10 VERTICAL SHROUDED HEADER
 MATING PART(PROVIDED FOR REFERENCE) :
 CHYAO-SHIUNN JS-2255 SERIES OR WELL-LIN WL1027 SERIES.


SIGNAL NAME	P1 PIN	SOURCED BY	SIGNAL FUNCTION
VBUS	1	host	USB VBUS
GND	2		SIGNAL GROUND
D-	3	bidir	USB D-
D+	4	bidir	USB D+
VCC(5V)	5	host	POWER SUPPLY INPUT (FOR SELF POWER)
GND	6		GROUND
NC	7		DO NOT CONNECT
NC	8		DO NOT CONNECT
LEDN	9	CTR	OPEN COLLECTOR CONTROL SIGNAL FOR EXTERNAL LED WITH 1K SERIES RESISTANCE.
RSTN	10	host	ACTIVE LOW RESET
DCD	11	ctrl	RS-232 Carrier detect, handshake = 0 (POSITIVE) when the controller power on
DSR	12	ctrl	RS-232 Data set ready, handshake = 0 (POSITIVE) when the controller power on
RxD	13	ctrl	RS-232 Serial data from controller to host
RTS	14	host	RS-232 Request to send, handshake = 0 (POSITIVE) when the controller may send
TxD	15	host	RS-232 Serial data from host to controller
CTS	16	ctrl	RS-232 Used as <input type="checkbox"/> ready to receive, handshake = 0 (POSITIVE) when host may send
DTR	17	host	RS-232 Data terminal ready, handshake = 0 (POSITIVE) when the controller may send
NC	18		DO NOT CONNECT
GND	19	com	signal ground
NC	20		DO NOT CONNECT

P2 / P3 TOUCHSCREEN CONNECTOR

SIGNAL NAME	P2 PIN	P3 PIN	SIGNAL FUNCTION
CHASSIS	1	NC	FRAME GROUND FOR CABLE SHIELD
NONE	2	NC	CONNECTOR KEY
Y RCV +	3	4	TOUCHSCREEN INTERFACE
Y XMT +	4	2	TOUCHSCREEN INTERFACE
Y RCV -	5	5	TOUCHSCREEN INTERFACE
Y XMT -	6	1,3	TOUCHSCREEN INTERFACE
ANALOG GND	7	NC	ANALOG GROUND
X XMT -	8	8,10	TOUCHSCREEN INTERFACE
X RCV -	9	6	TOUCHSCREEN INTERFACE
X XMT +	10	9	TOUCHSCREEN INTERFACE
X RCV +	11	7	TOUCHSCREEN INTERFACE
NONE	12	NC	CONNECTOR KEY (EXCEPT E663189)

J1 POWER SOURCE JUMPER

POSITION	FUNCTION
1-2 SHORTED(DEFAULT)	SELF POWERED(DEFAULT)
2-3 SHORTED	USB BUS POWERED

TITLE		
DIMENSIONAL DRAWING, 2701 CONTROLLER FAMILY STANDARD FORM FACTOR		
SIZE	SCALE	SHEET
C	1.000	2 OF 2
DWG. NO.		REV
MS600473		E