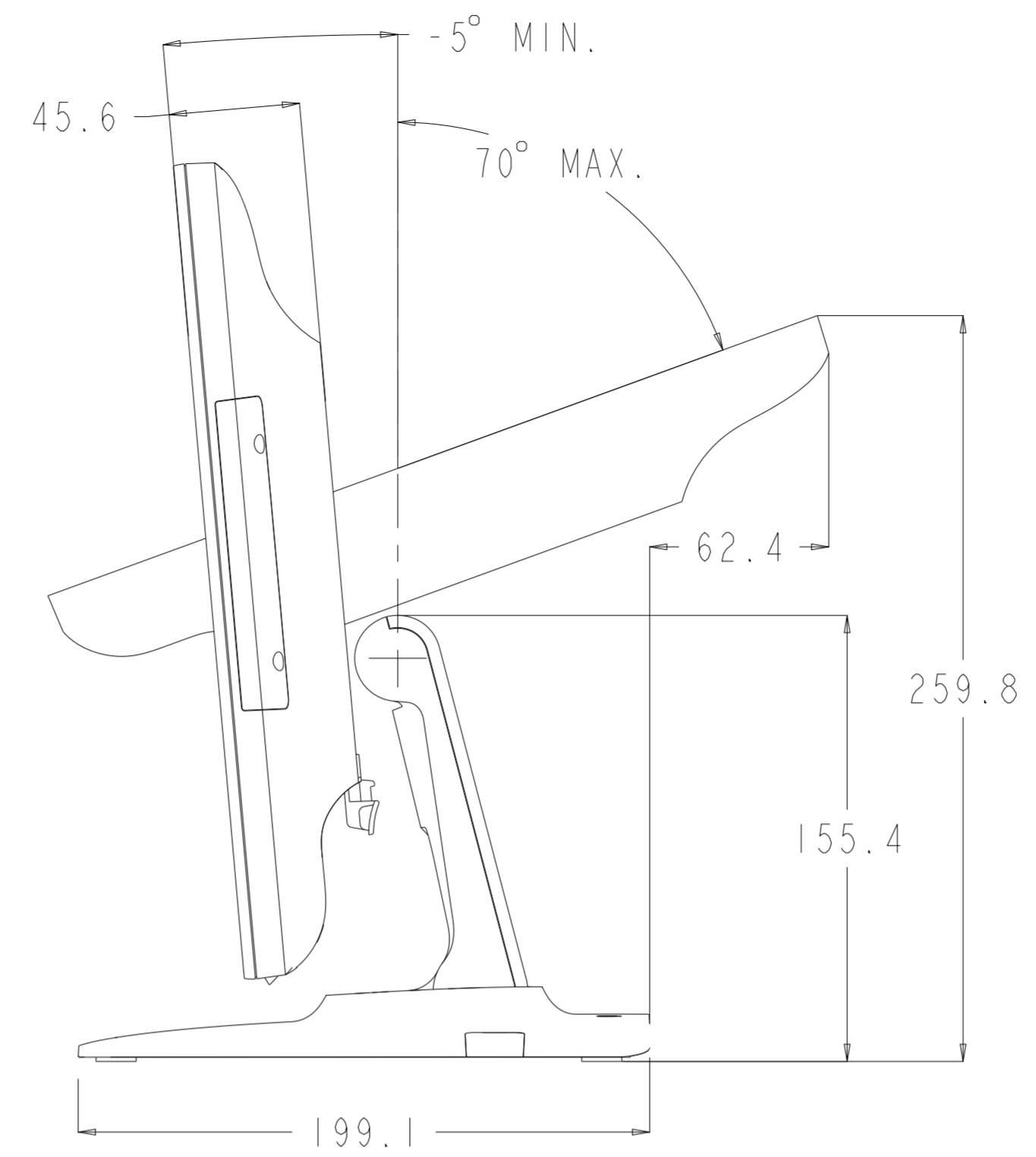
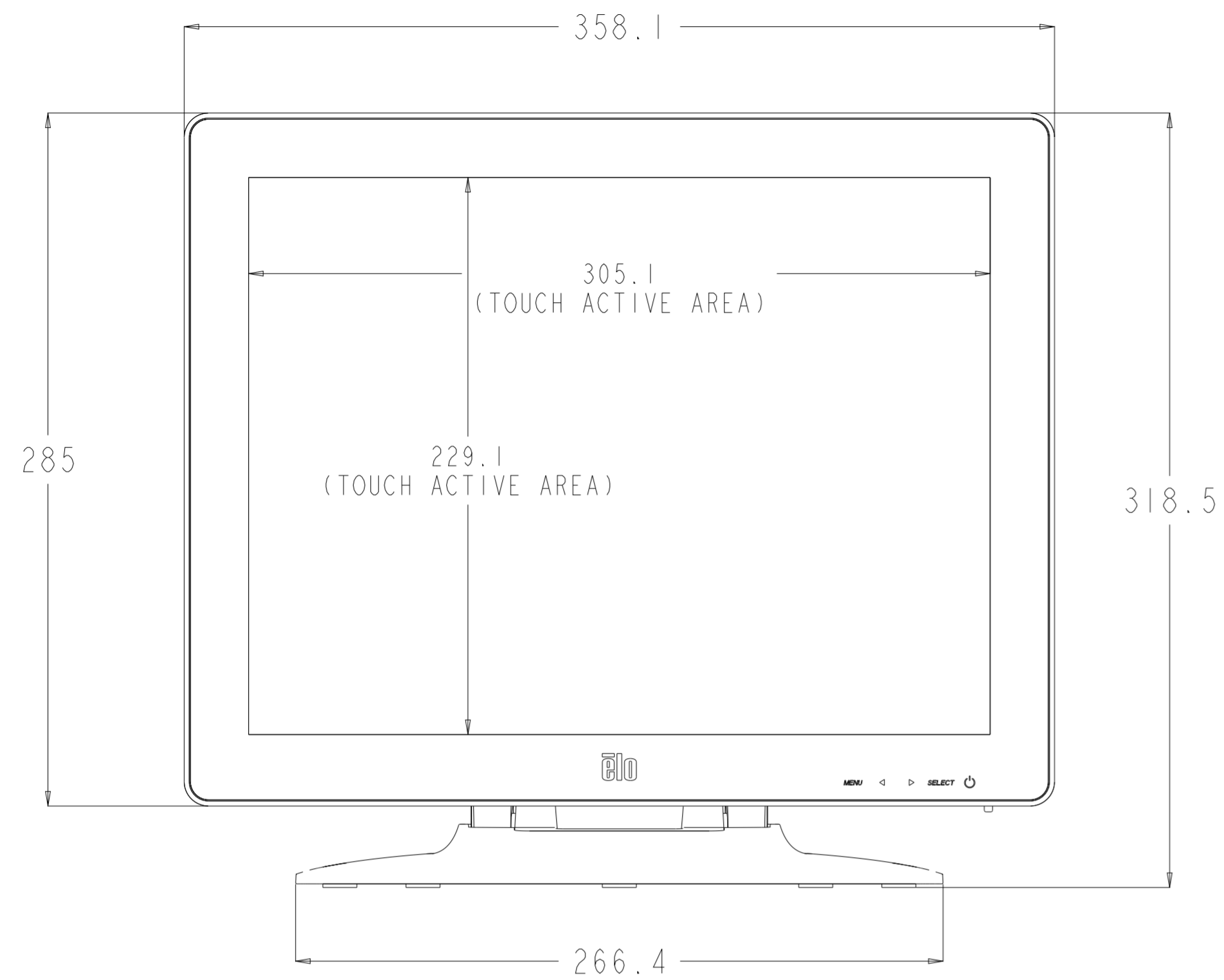
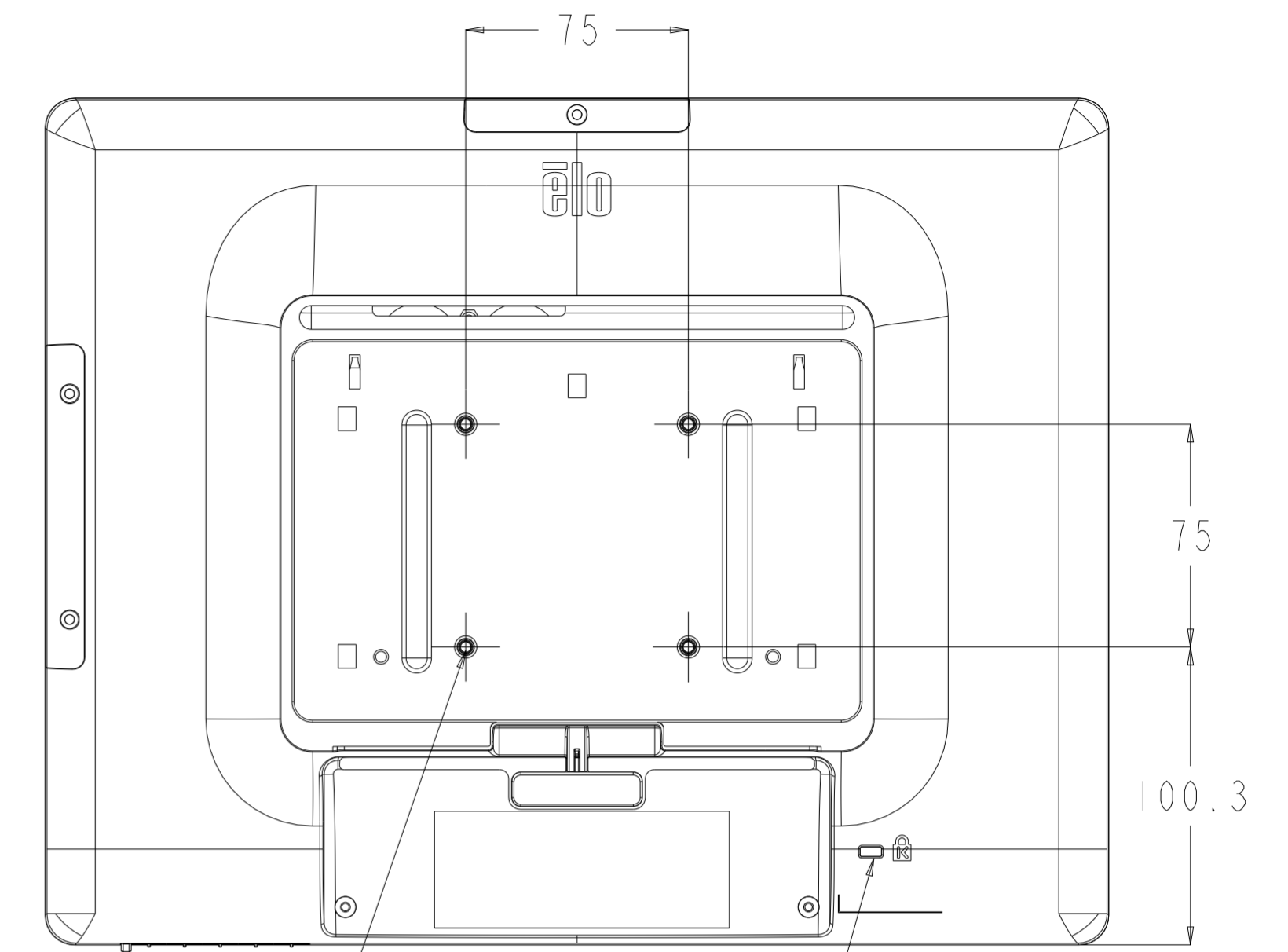


SEE PG. 2 FOR 1723  
SEE PG. 3 FOR ACCESSORIES

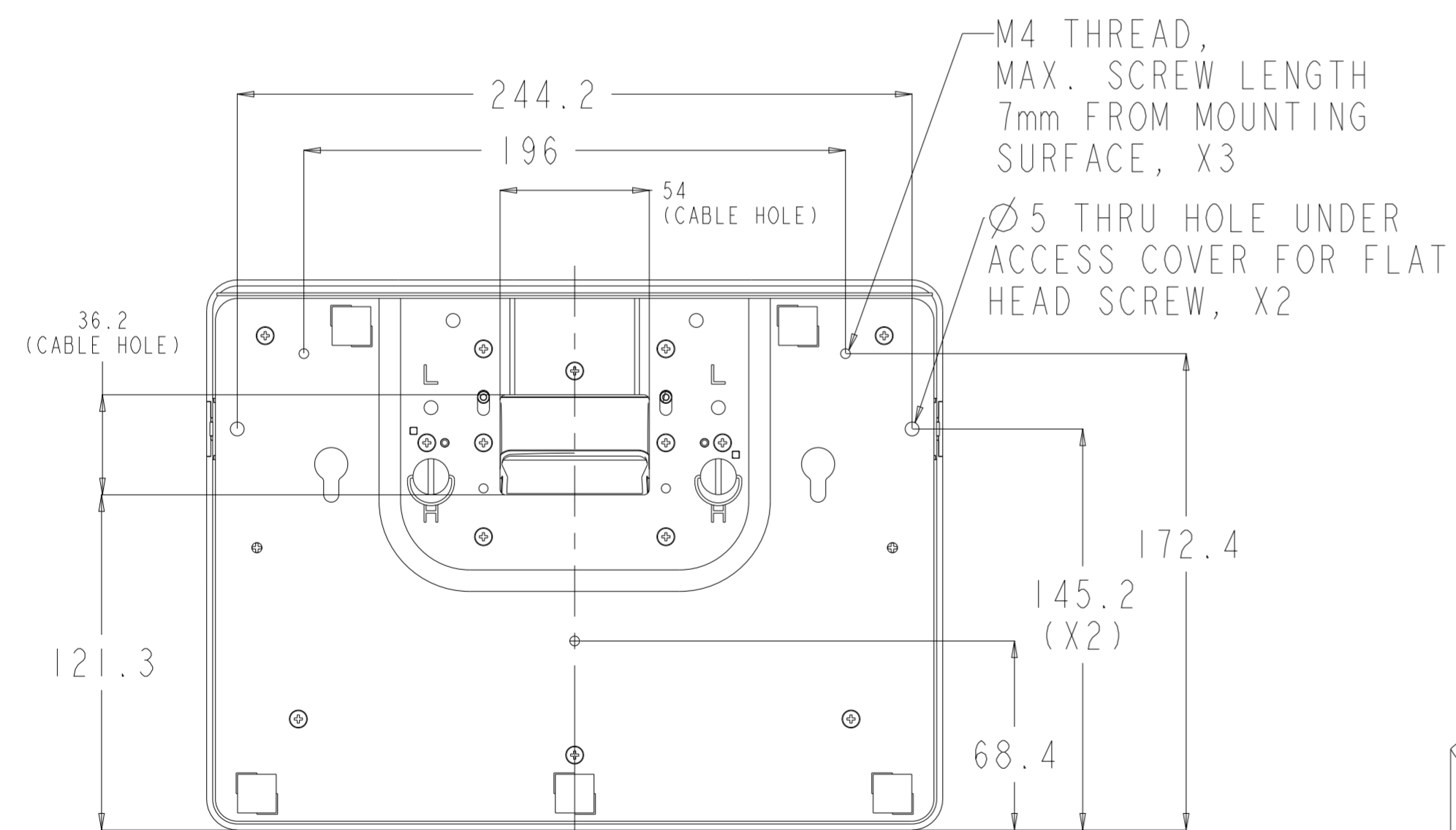


DISPLAY ANGLE RANGE  
IN HIGH POSITION



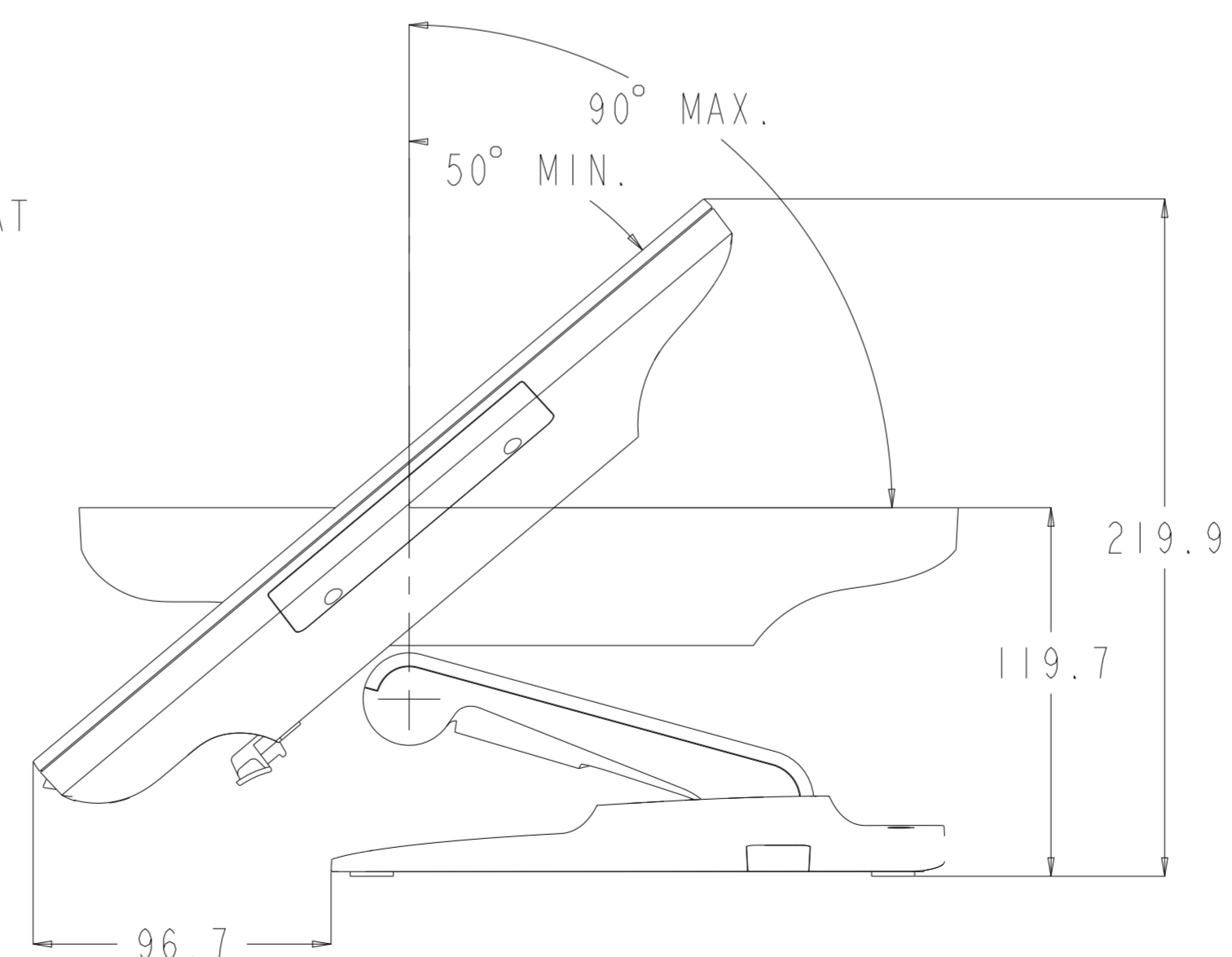
M4 THREAD,  
MAX. SCREW LENGTH  
7mm FROM MOUNTING  
SURFACE, X4

KENSINGTON LOCK  
RECEPTICAL



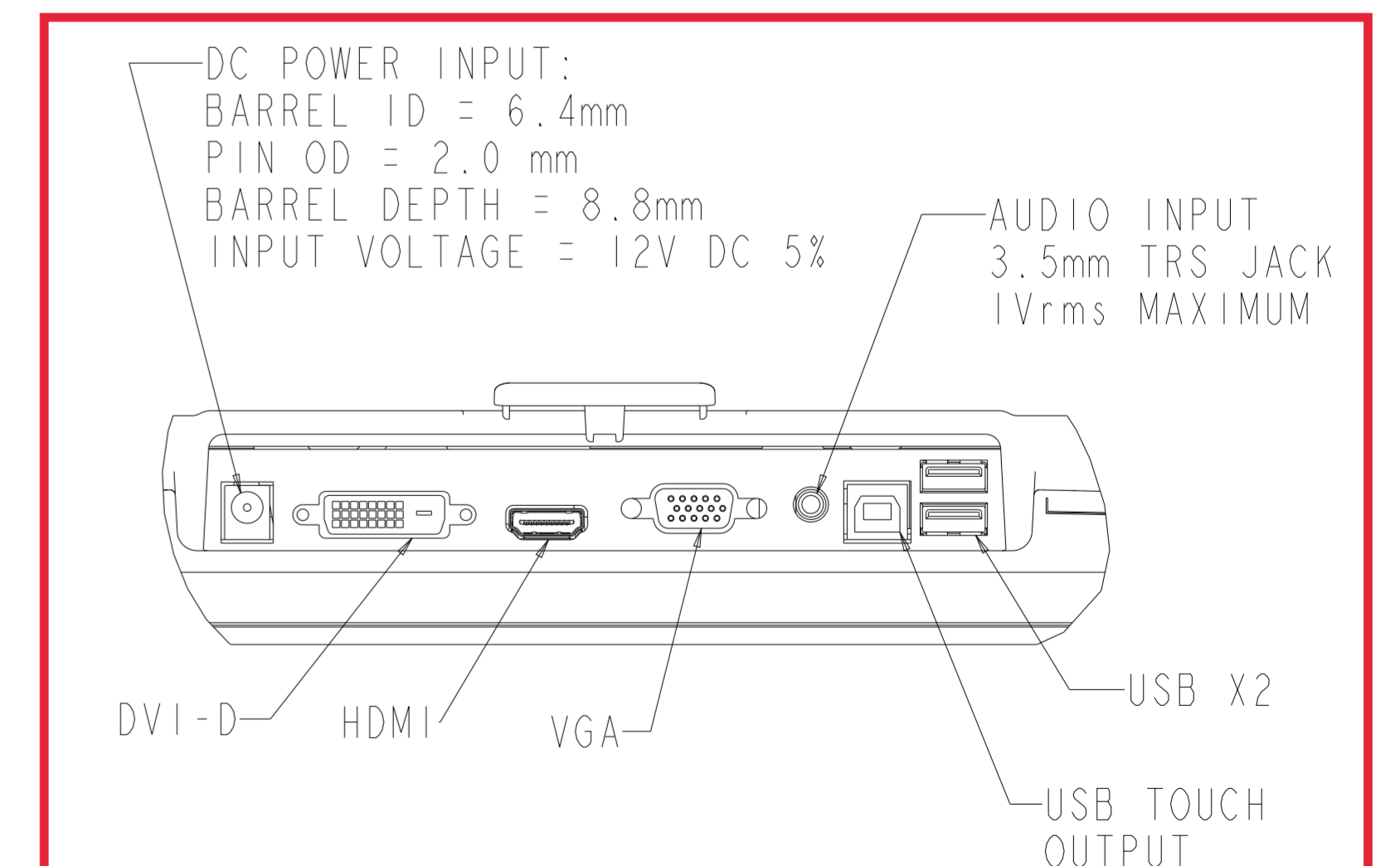
1523 STAND BOTTOM VIEW

M4 THREAD,  
MAX. SCREW LENGTH  
7mm FROM MOUNTING  
SURFACE, X3  
Ø5 THRU HOLE UNDER  
ACCESS COVER FOR FLAT  
HEAD SCREW, X2



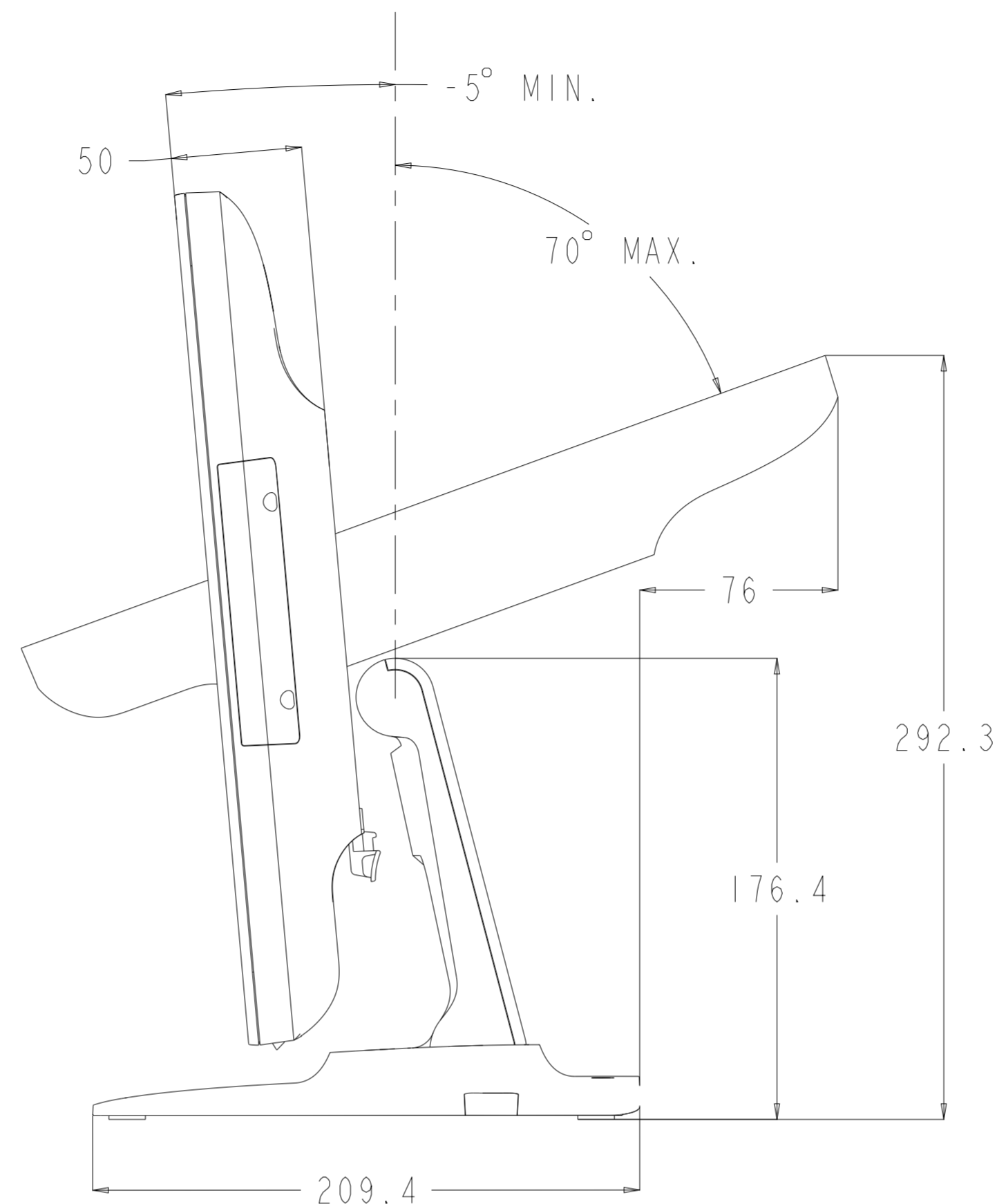
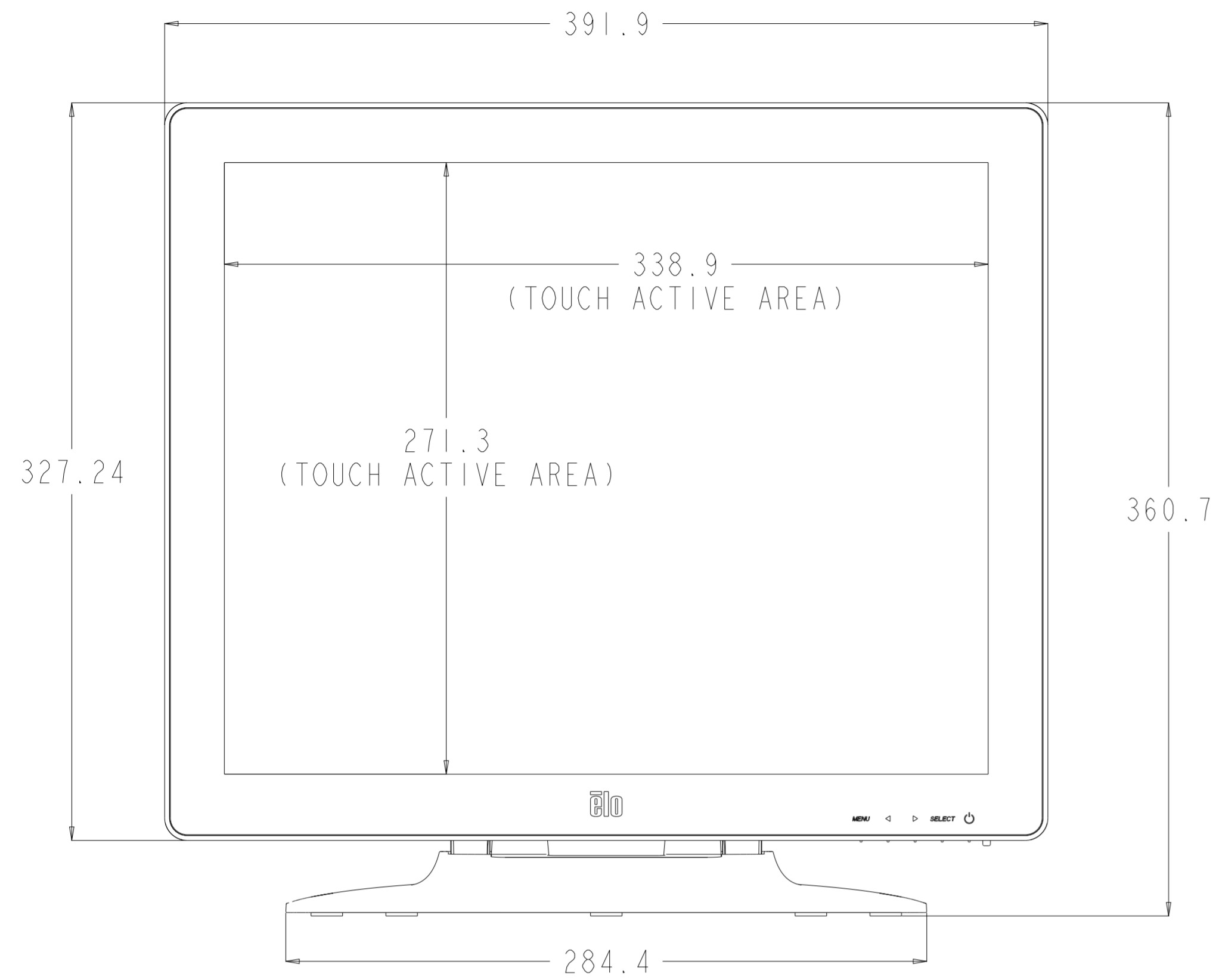
DISPLAY ANGLE RANGE  
IN LOW POSITION

Replace IO port

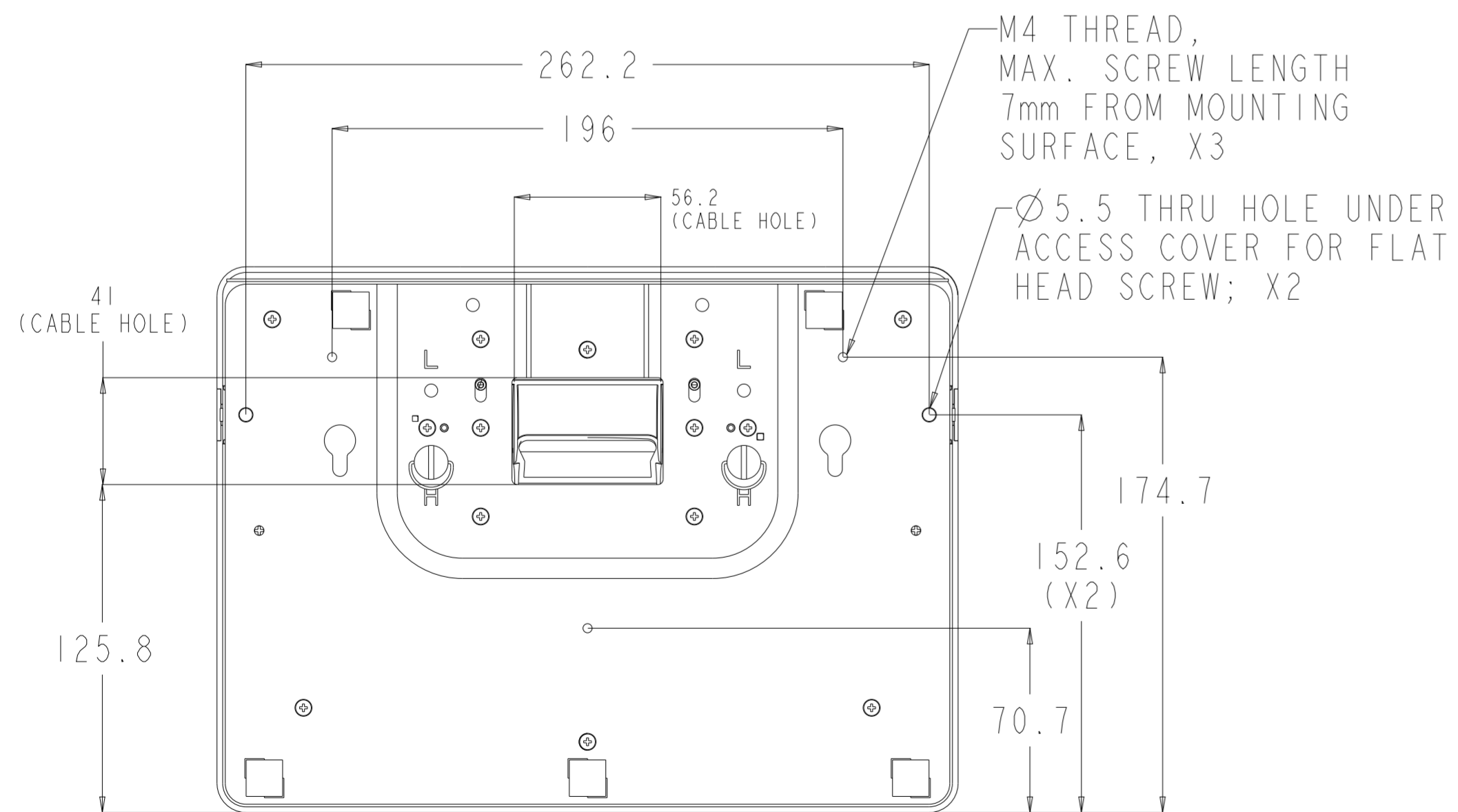
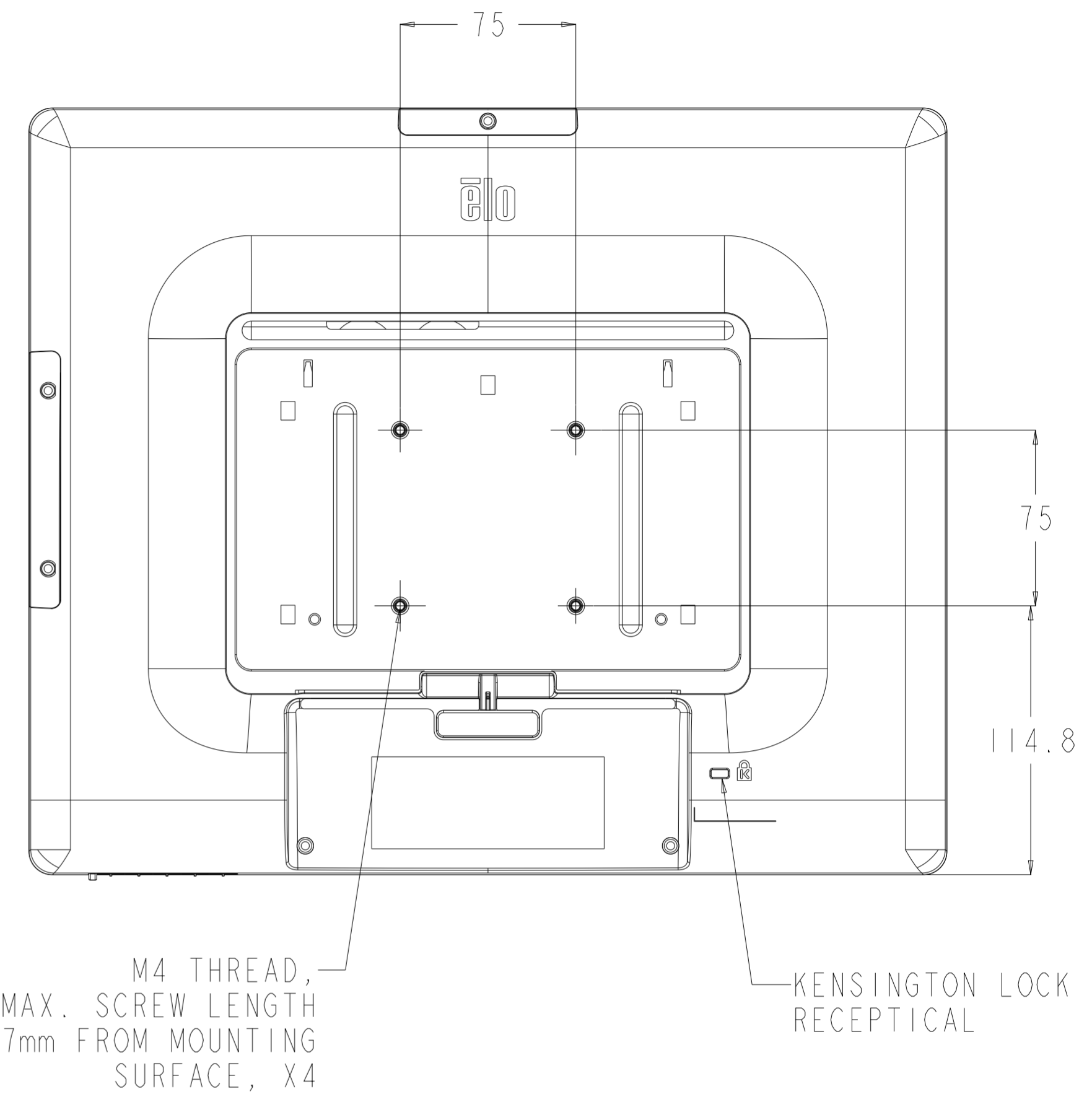


1523 / 1723 INPUTS / OUTPUTS

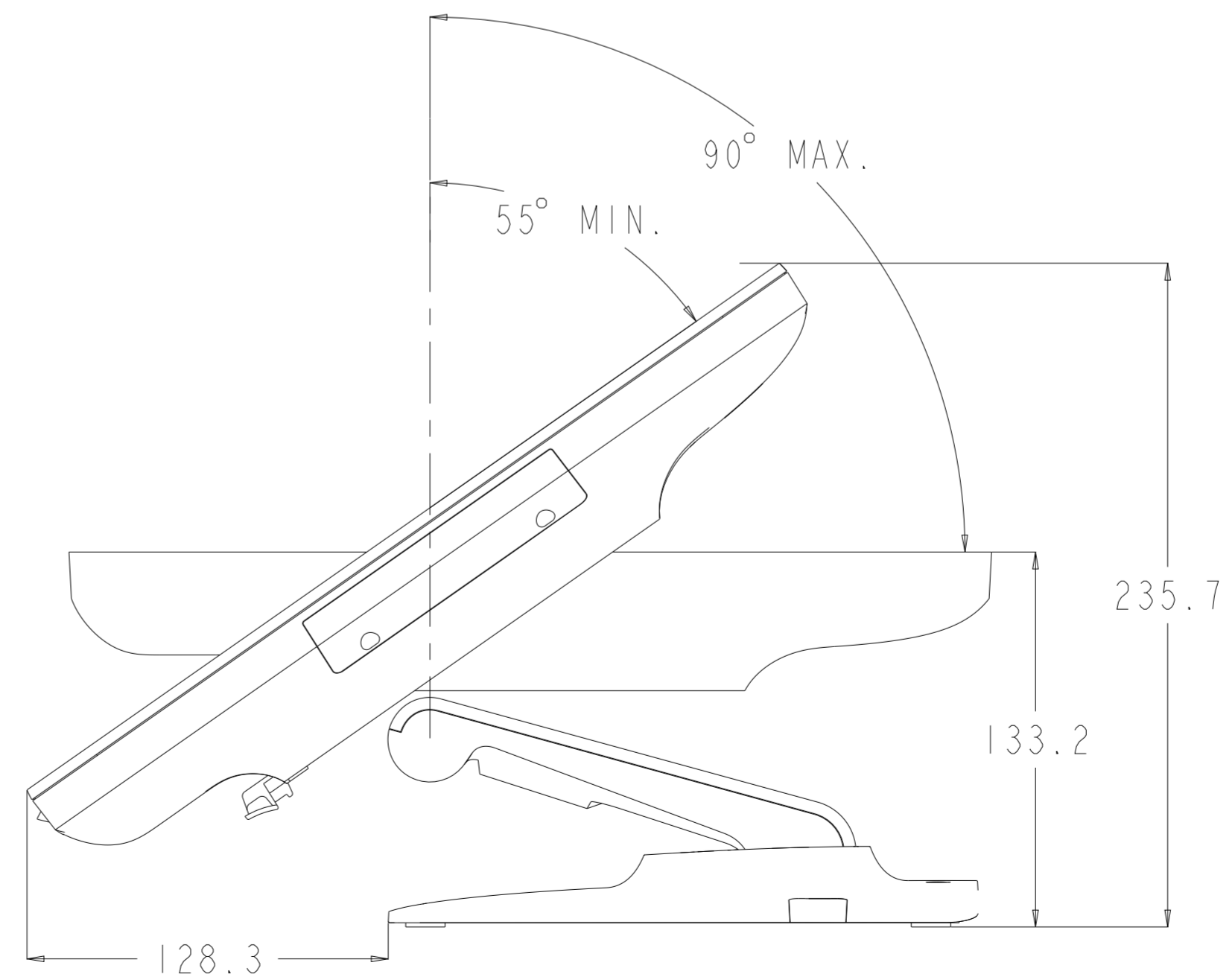
SEE PG. 1 FOR 1523



DISPLAY ANGLE RANGE  
IN HIGH POSITION



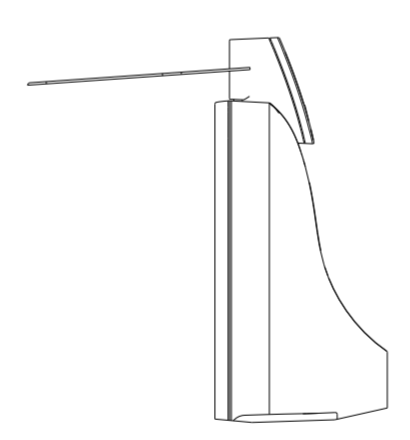
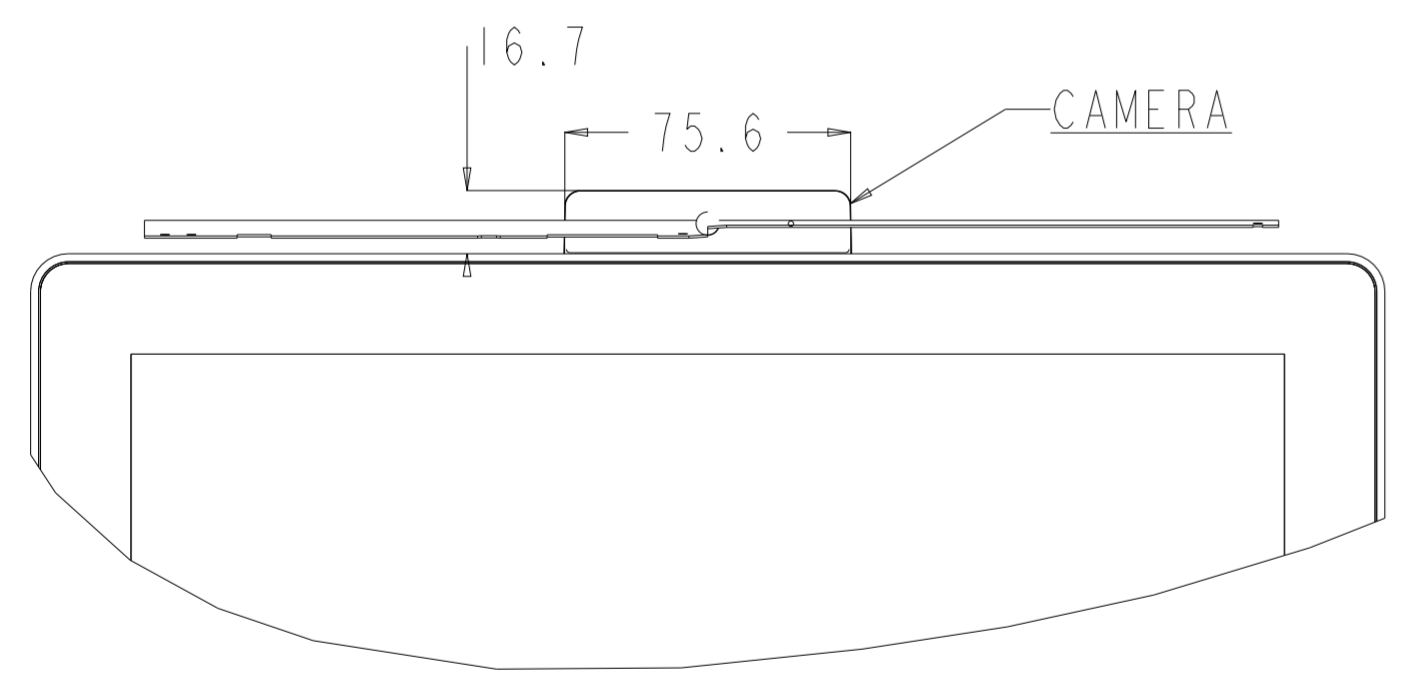
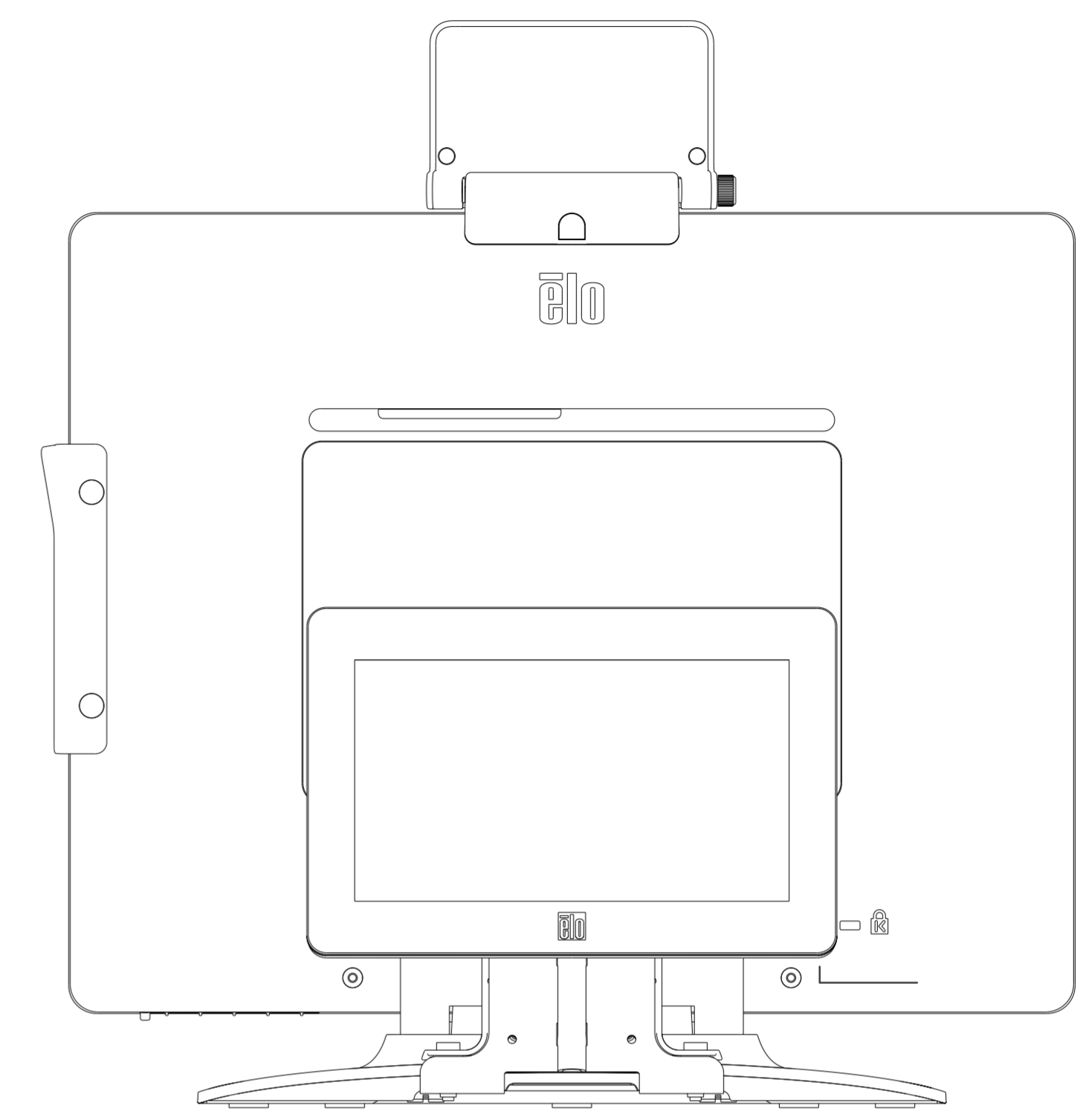
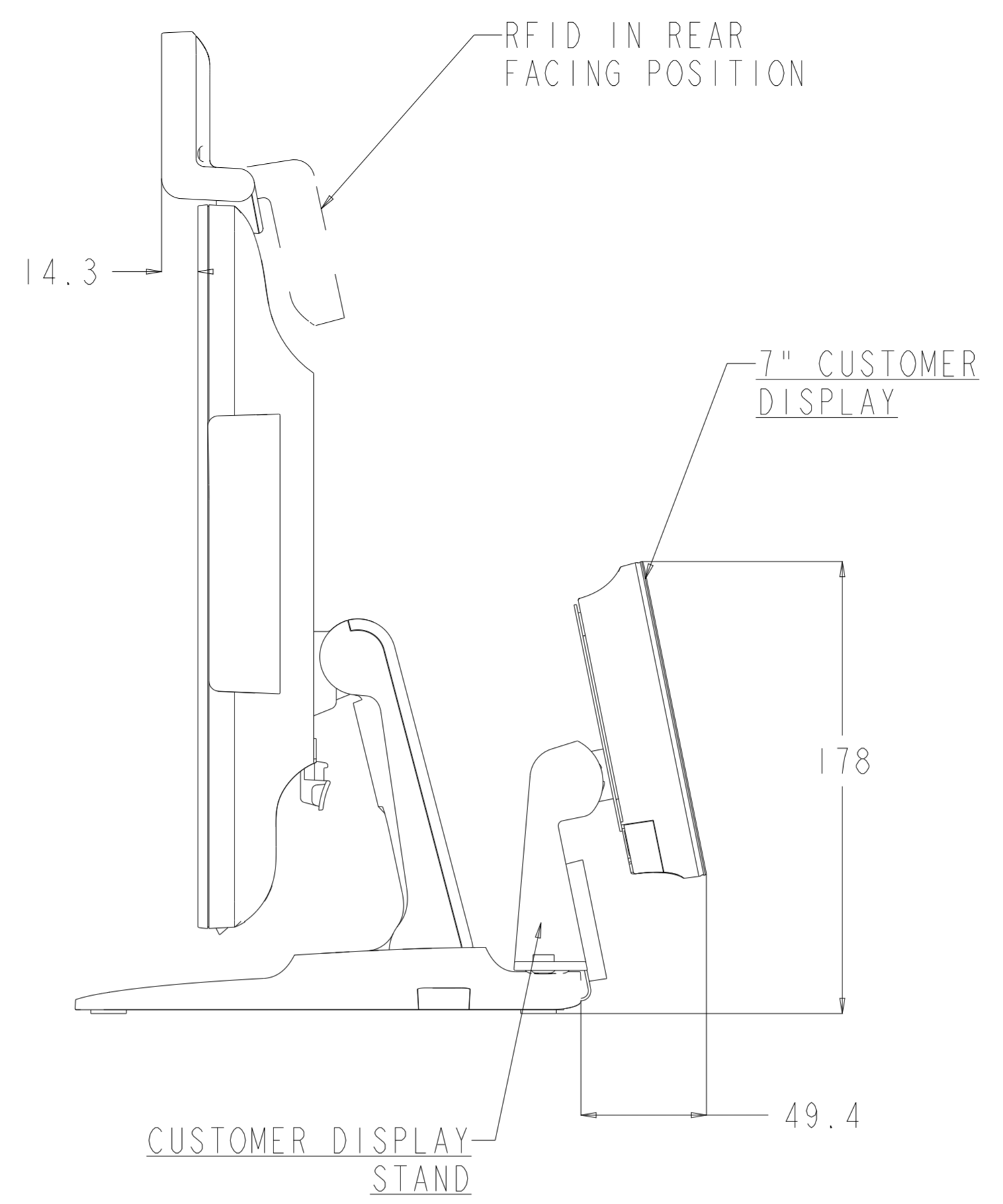
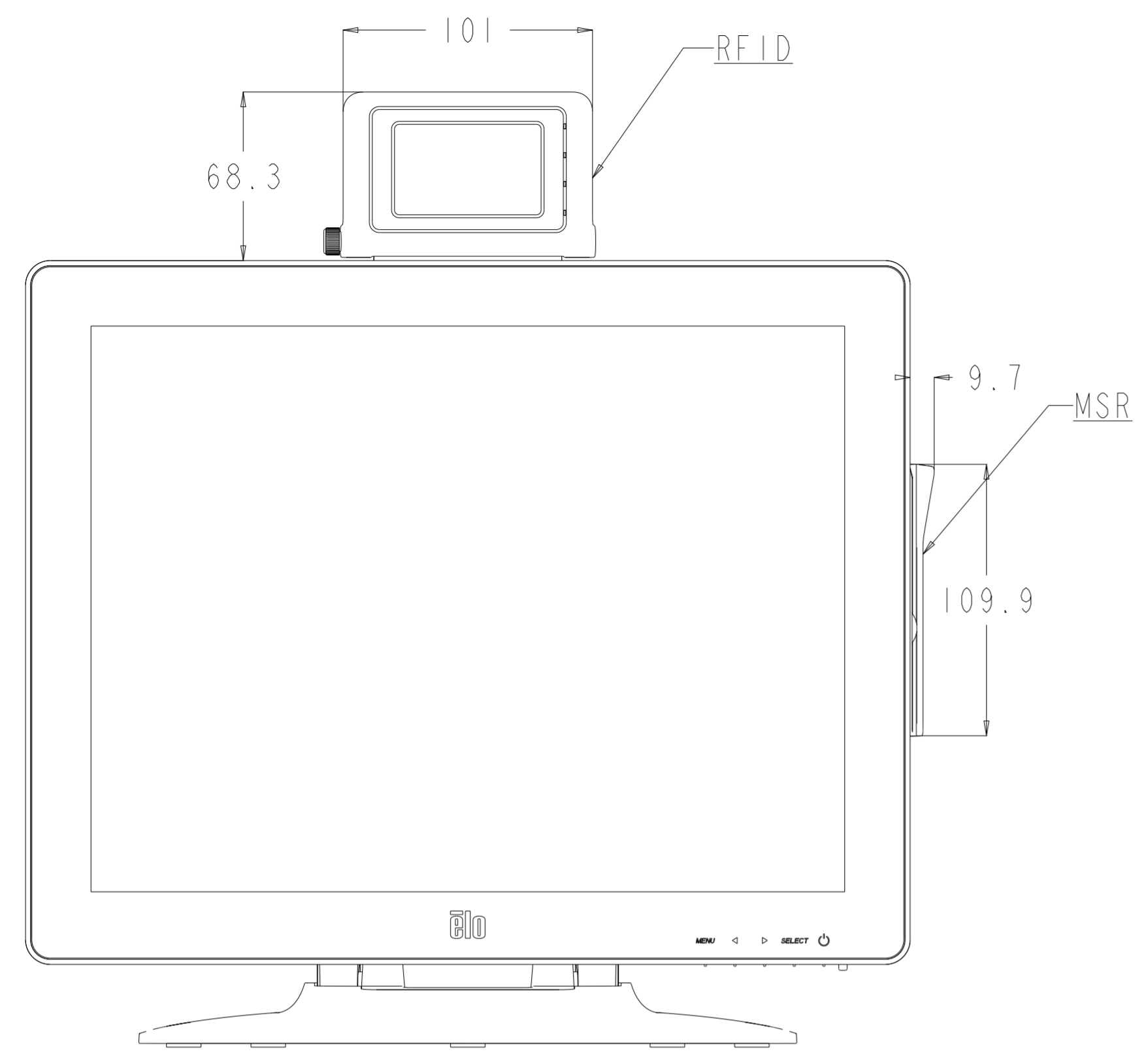
1723 STAND BOTTOM VIEW



DISPLAY ANGLE RANGE  
IN LOW POSITION

DIMENSIONS ARE IN MILLIMETERS

OPTIONAL ACCESSORIES



VESA FILL PLATE

- E000448 - 1523L BLACK
- E000449 - 1523L WHITE
- E000450 - 1723L BLACK
- E000451 - 1723L WHITE

