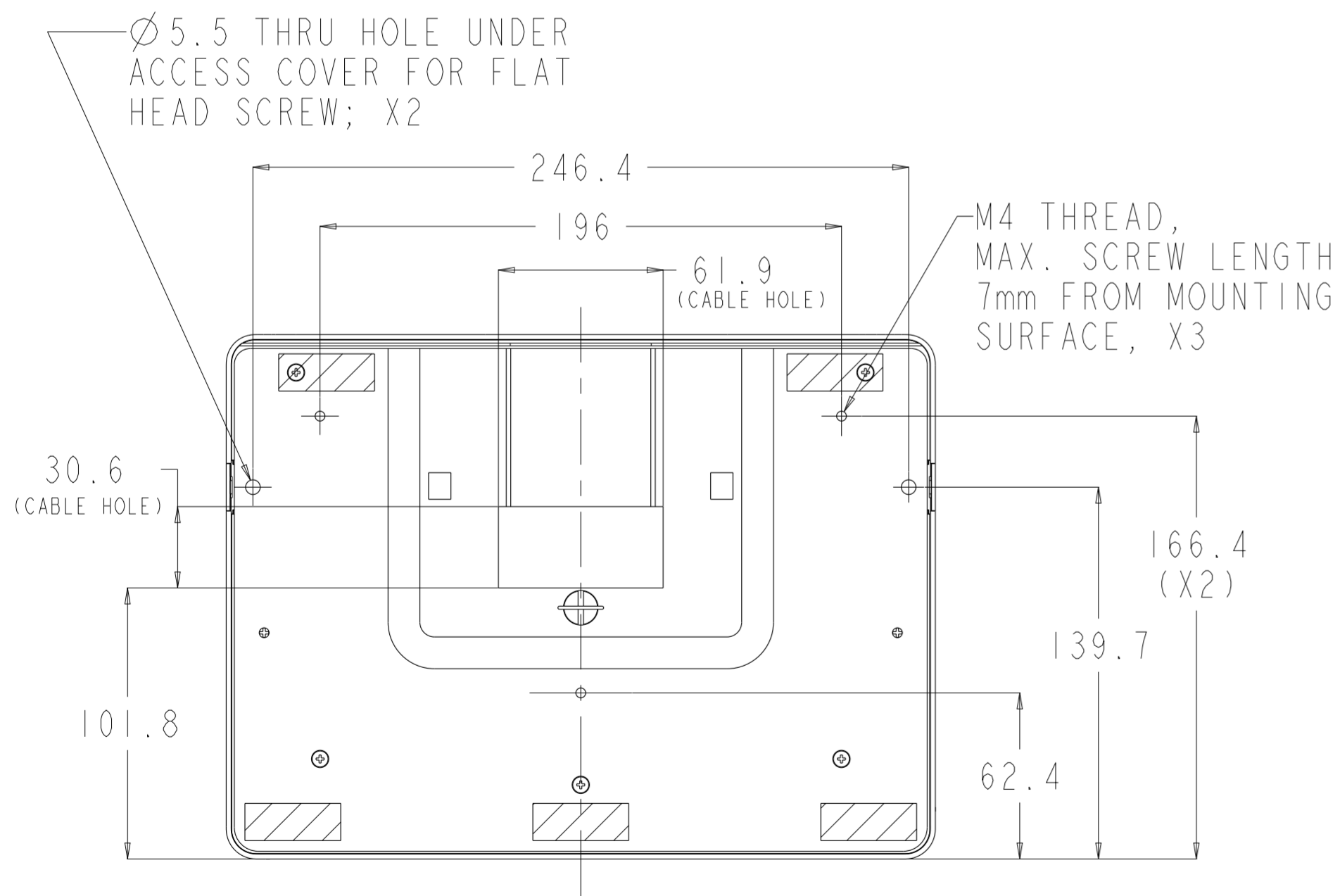
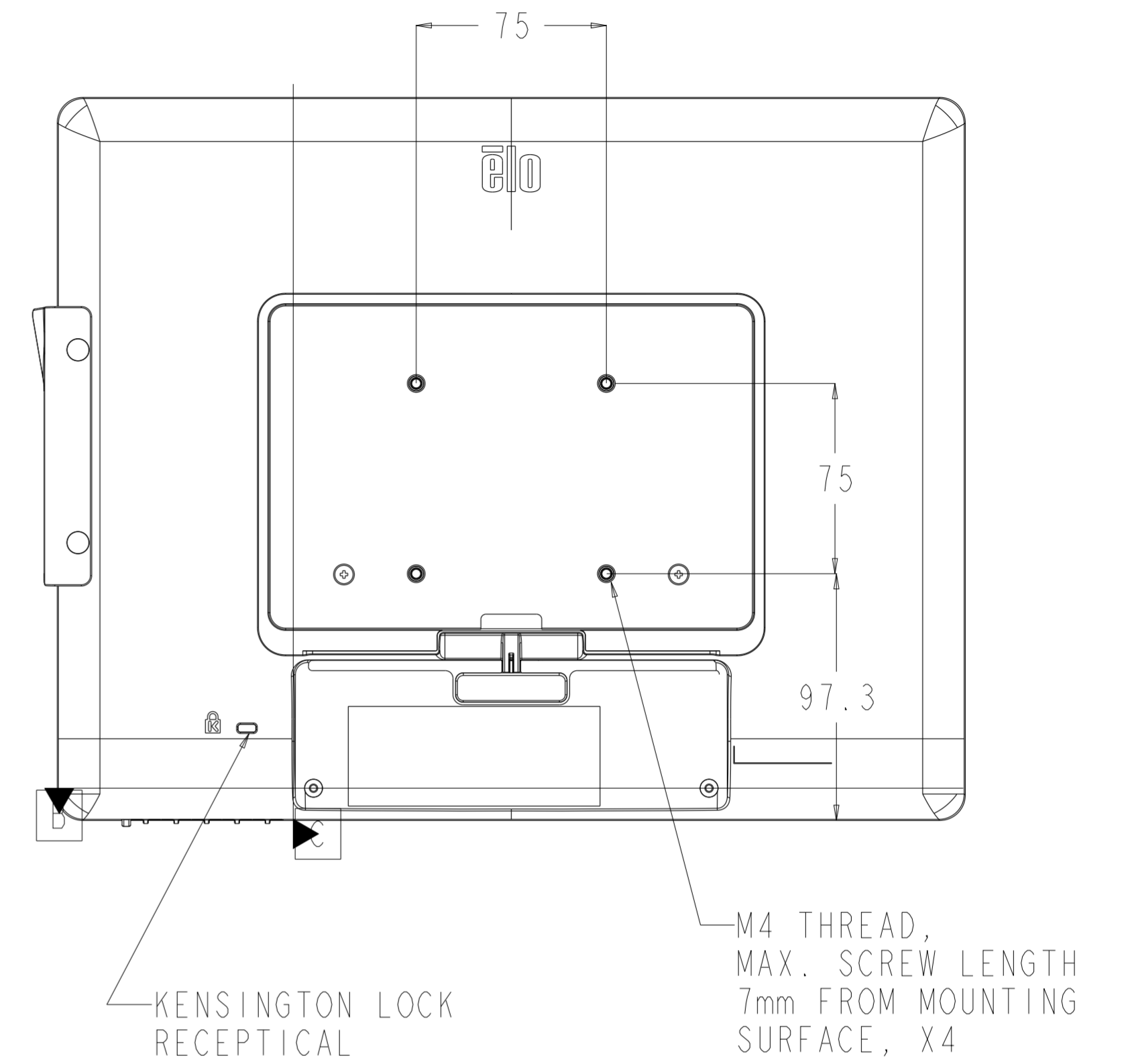
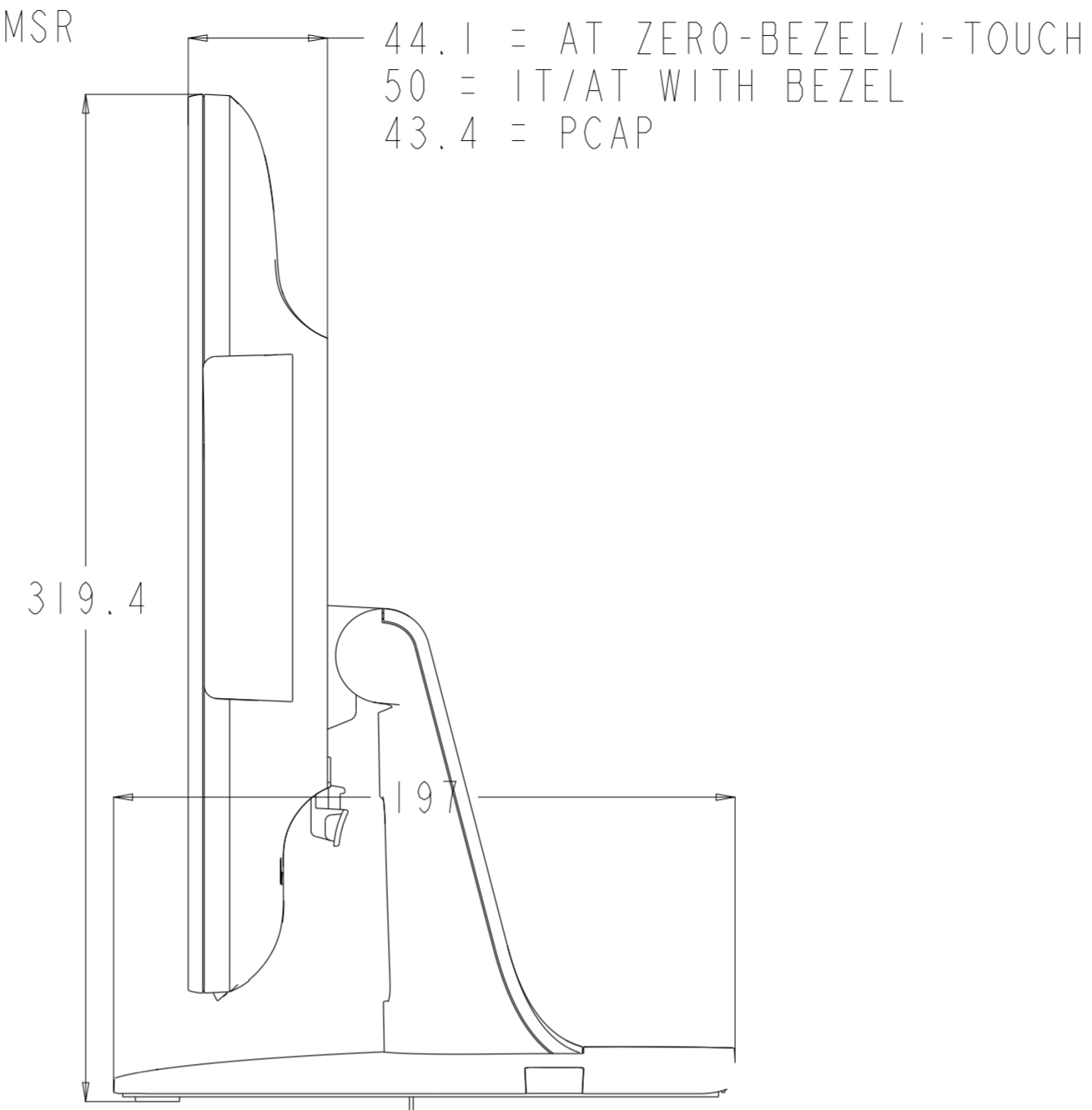
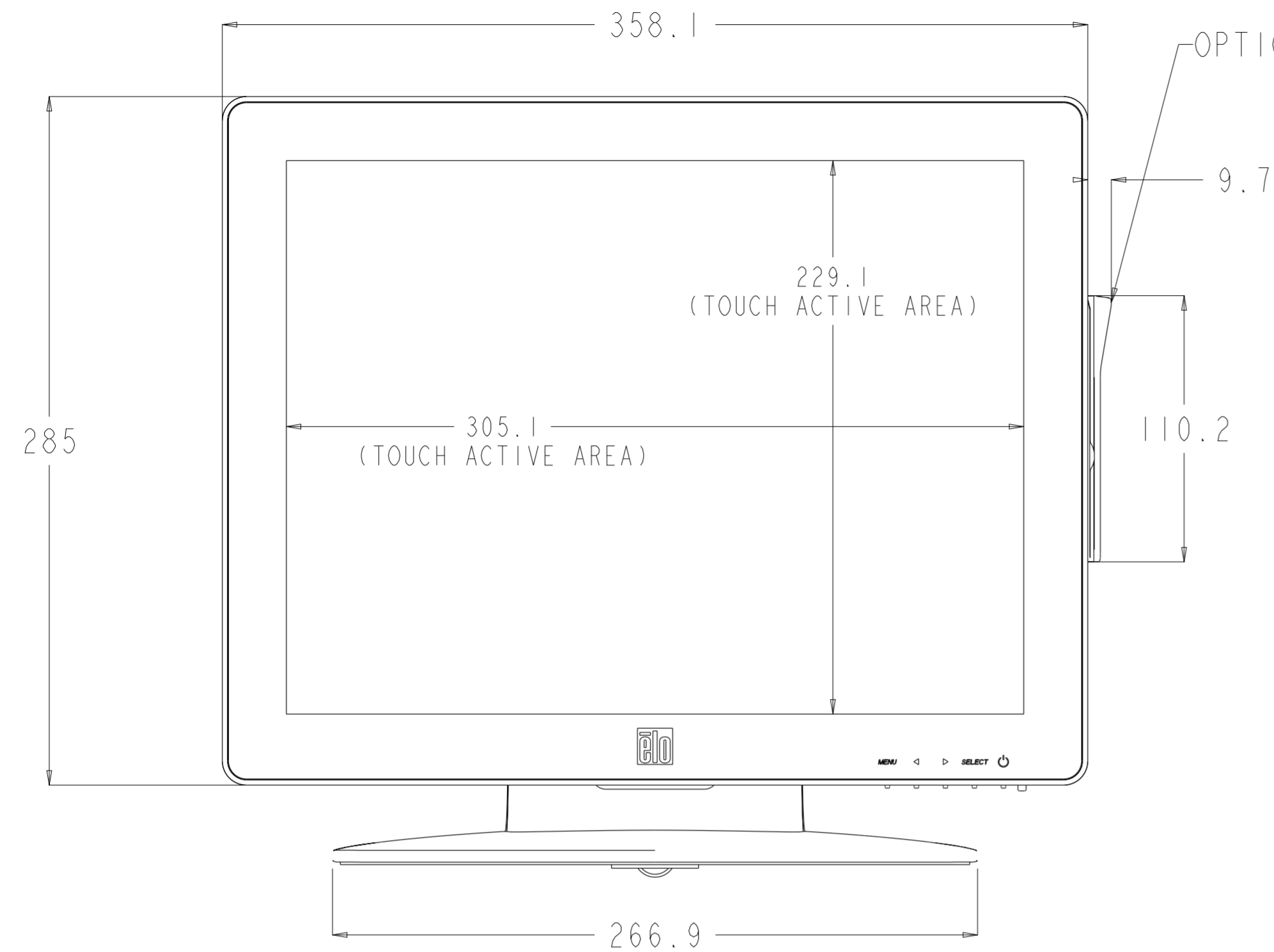
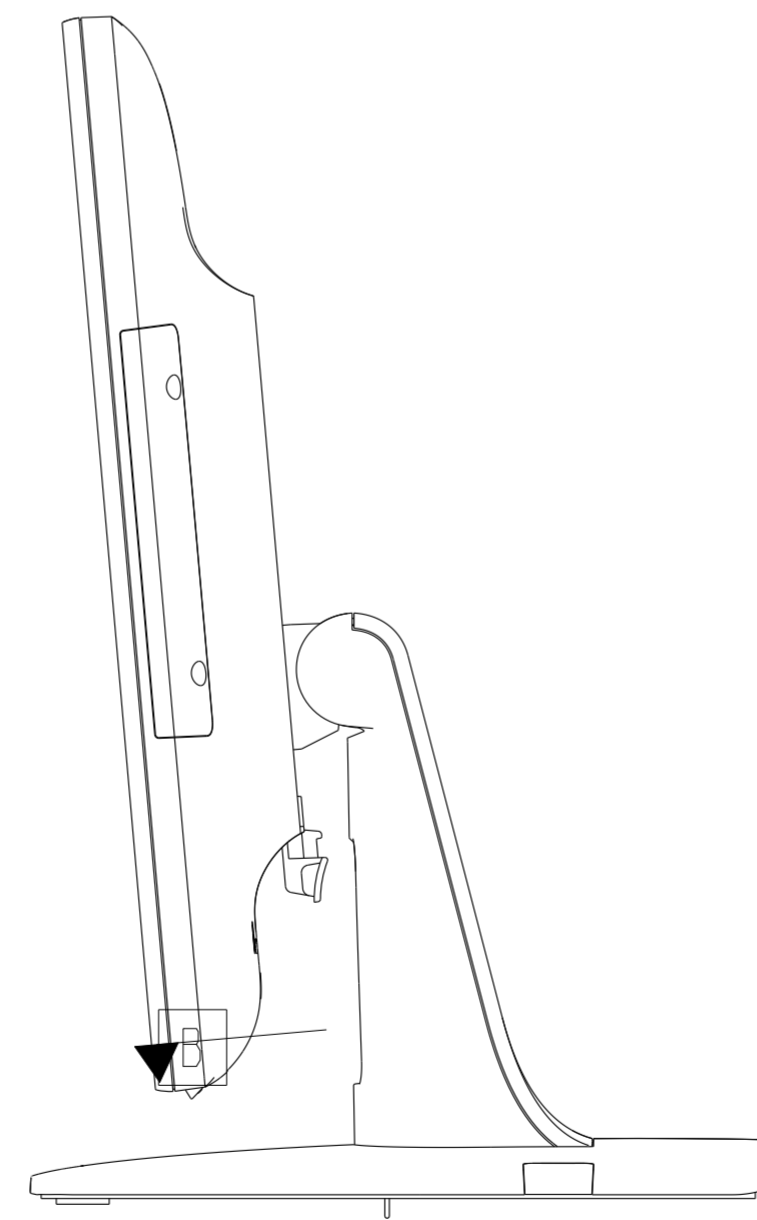


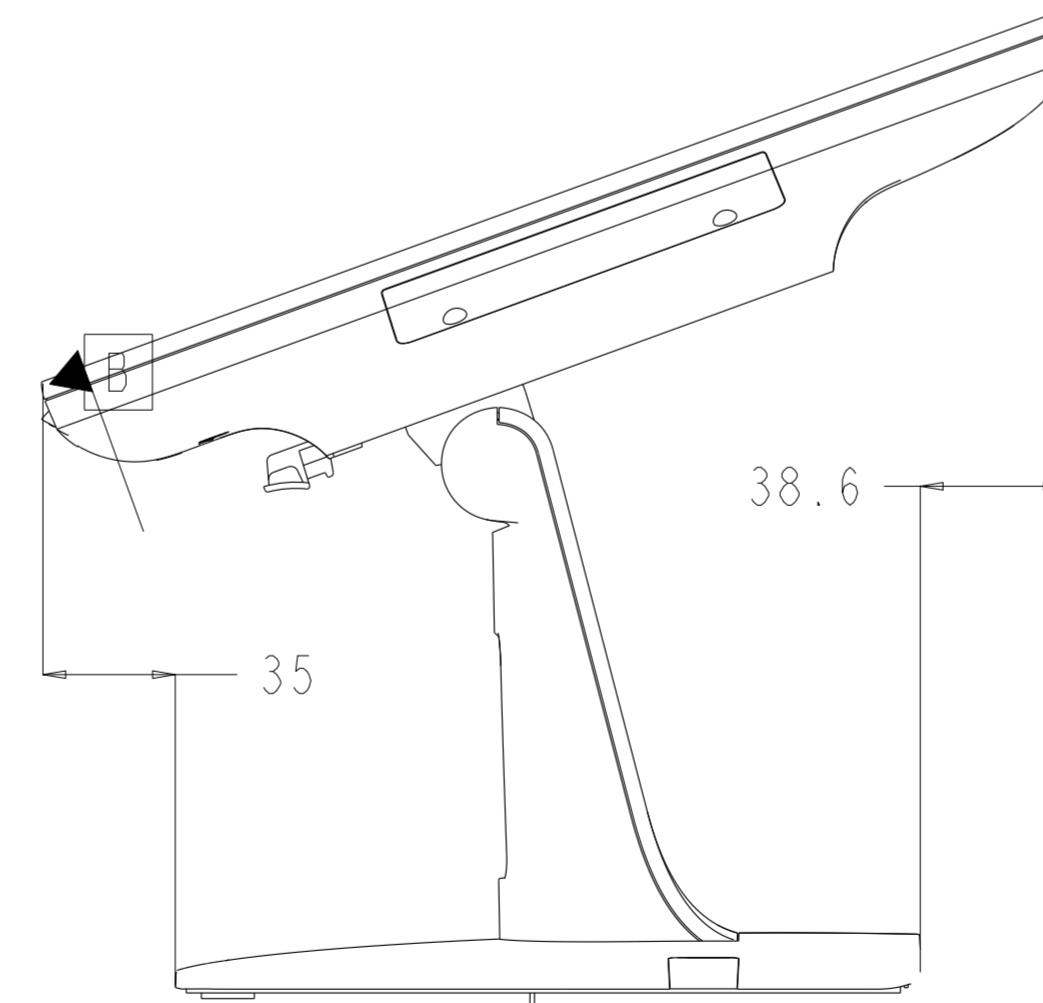
SEE PG. 2 FOR 1717
 SEE PG. 3 FOR 0700 MOUNTING BRACKET,
 VESA FILLER PLATE



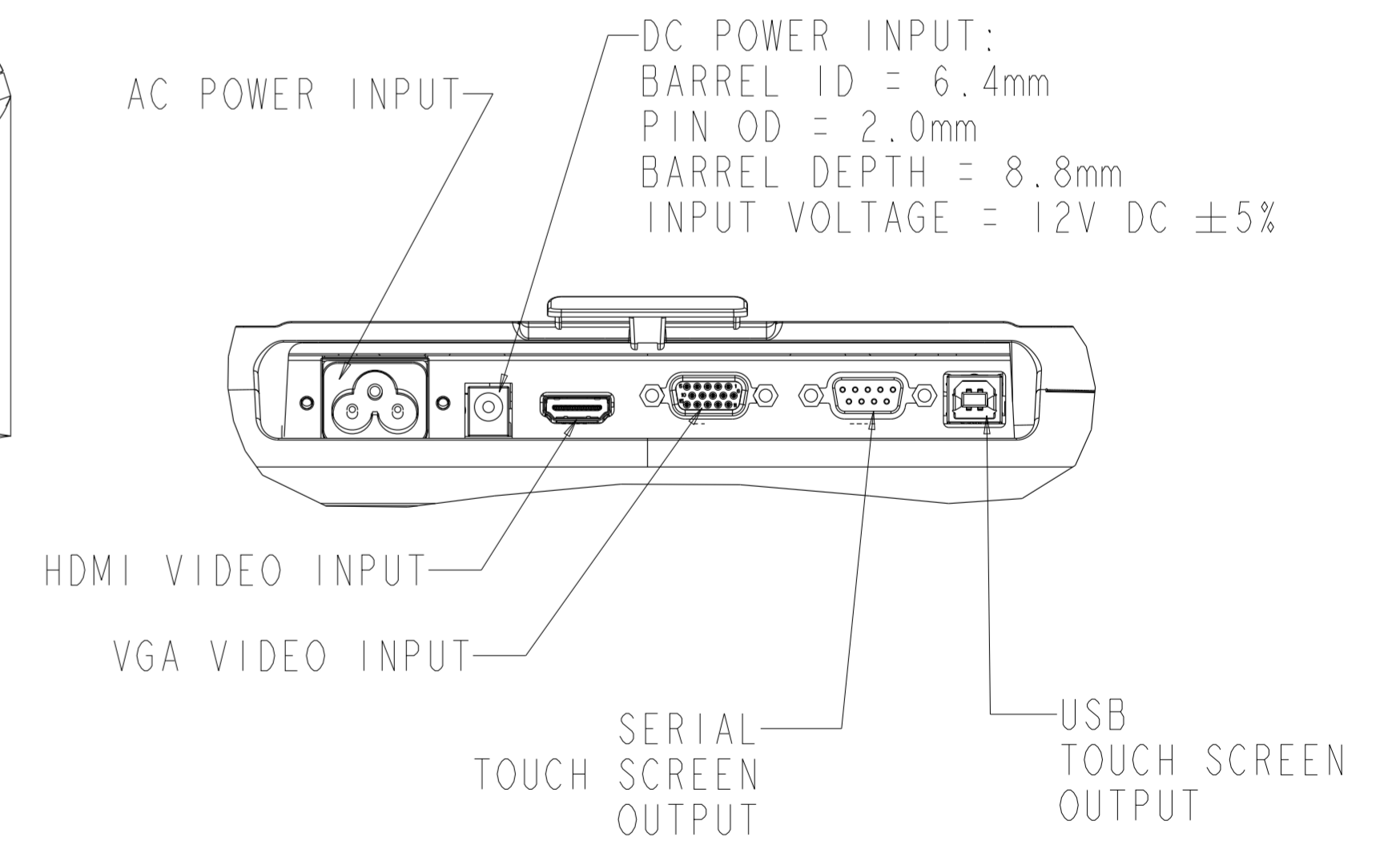
1517 STAND BOTTOM VIEW



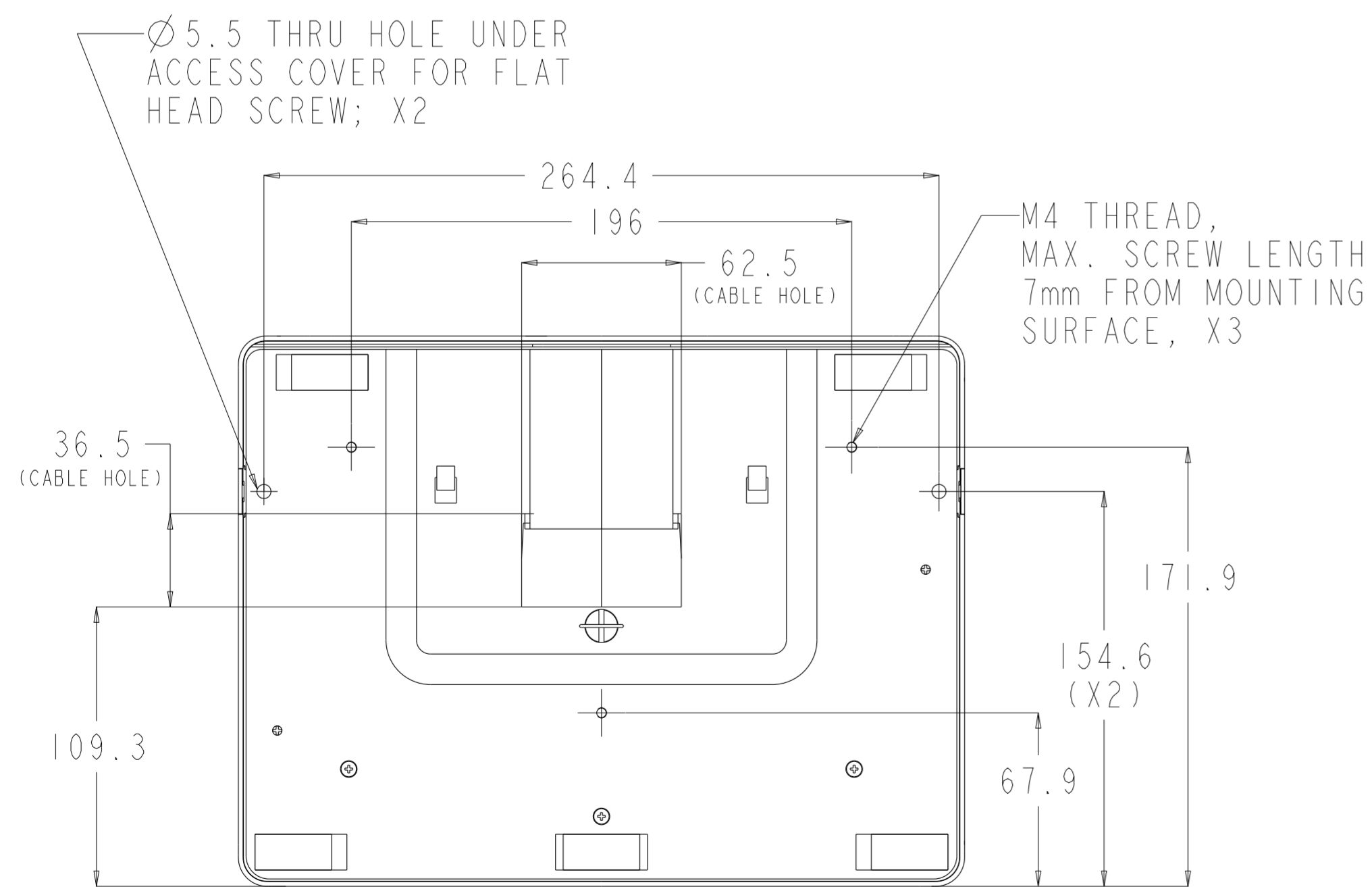
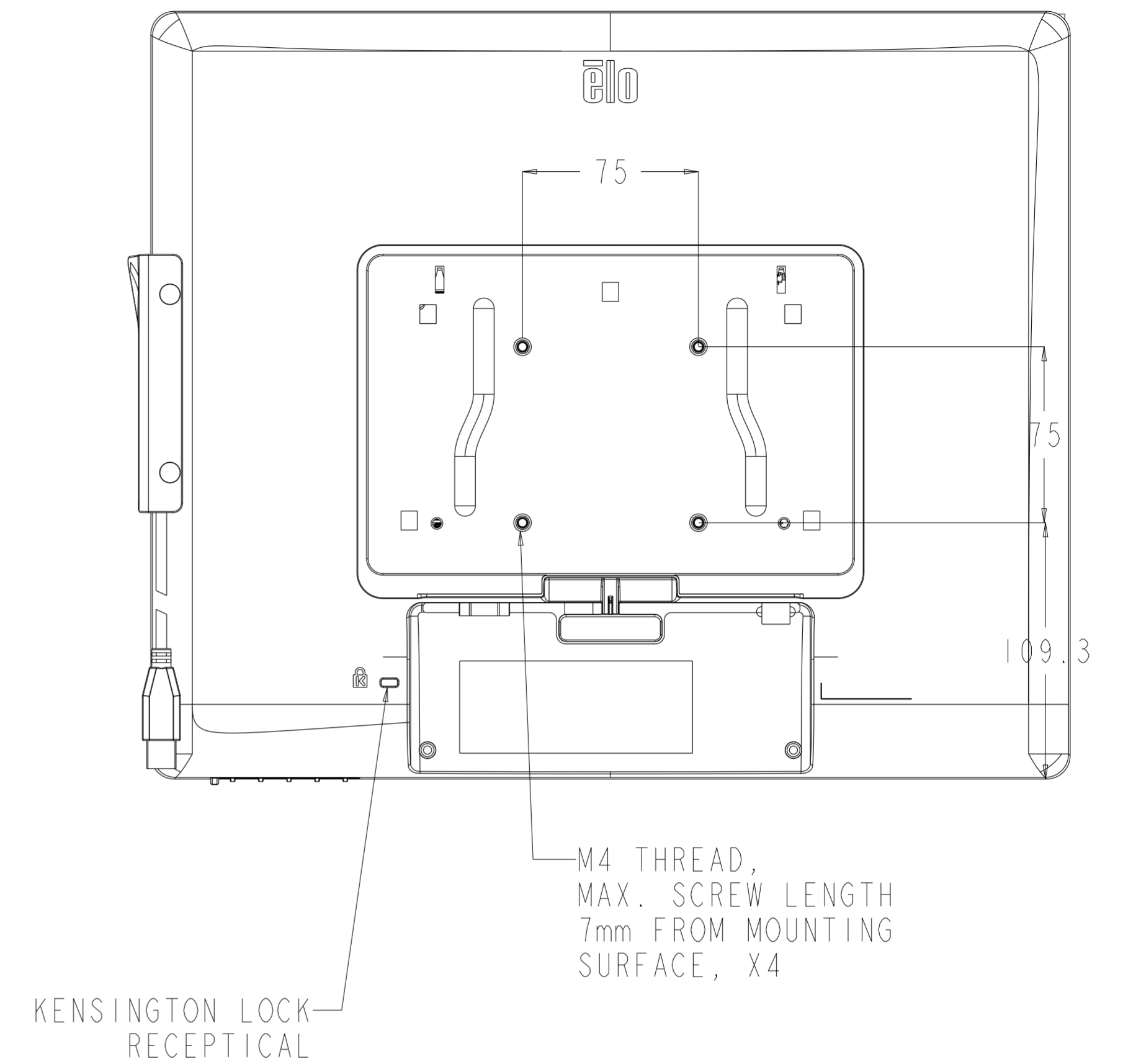
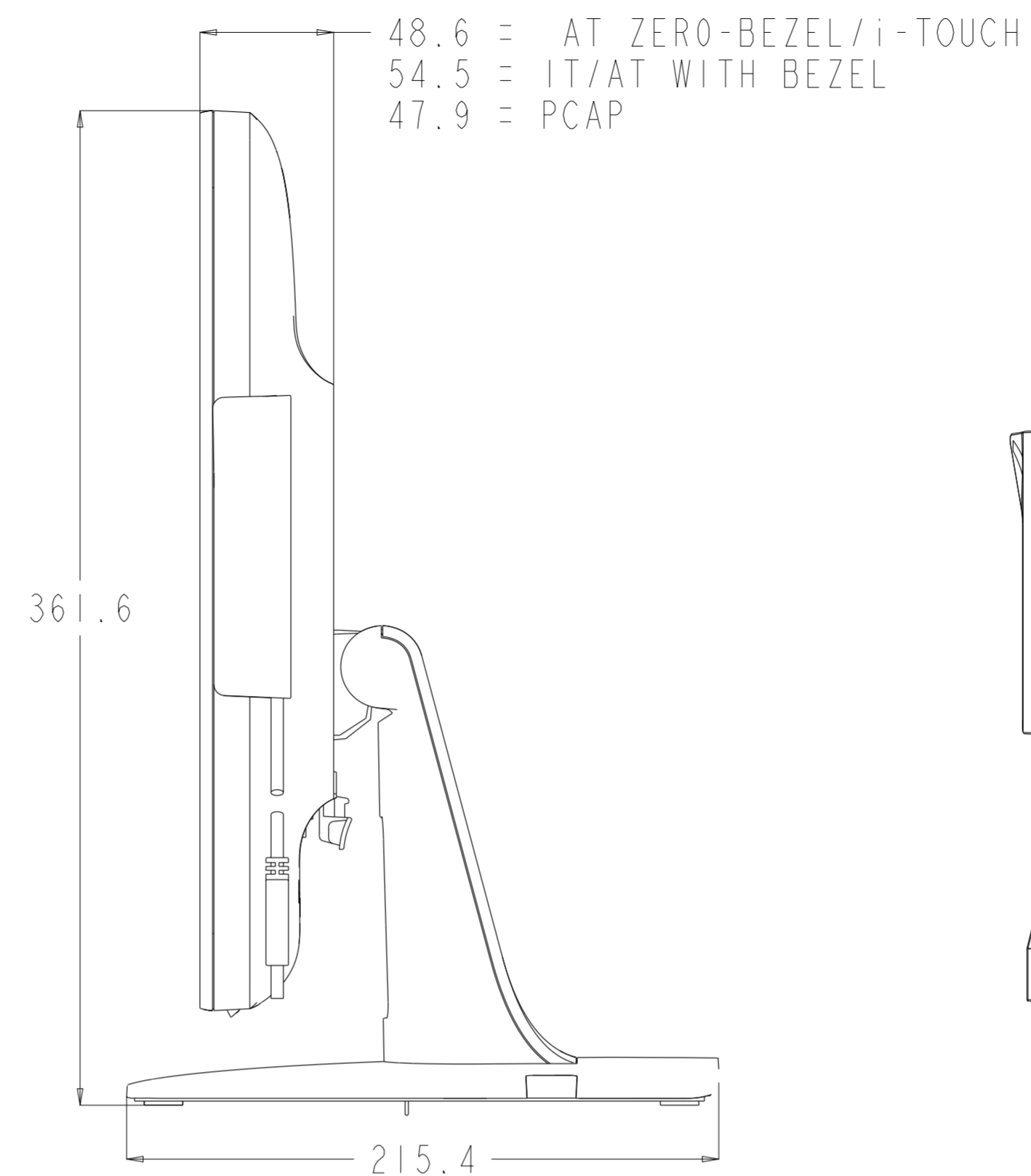
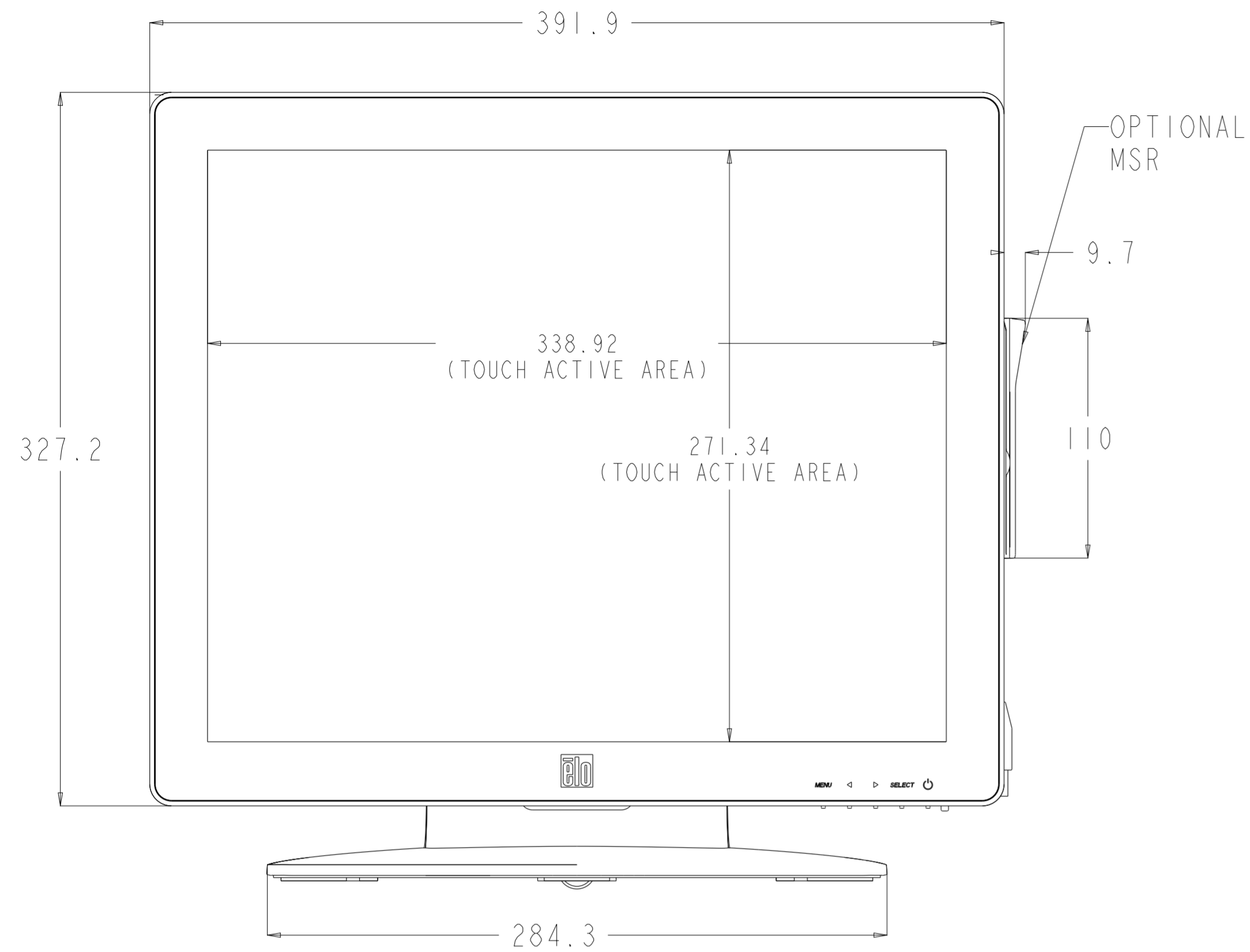
TILT -5° FROM VERTICAL



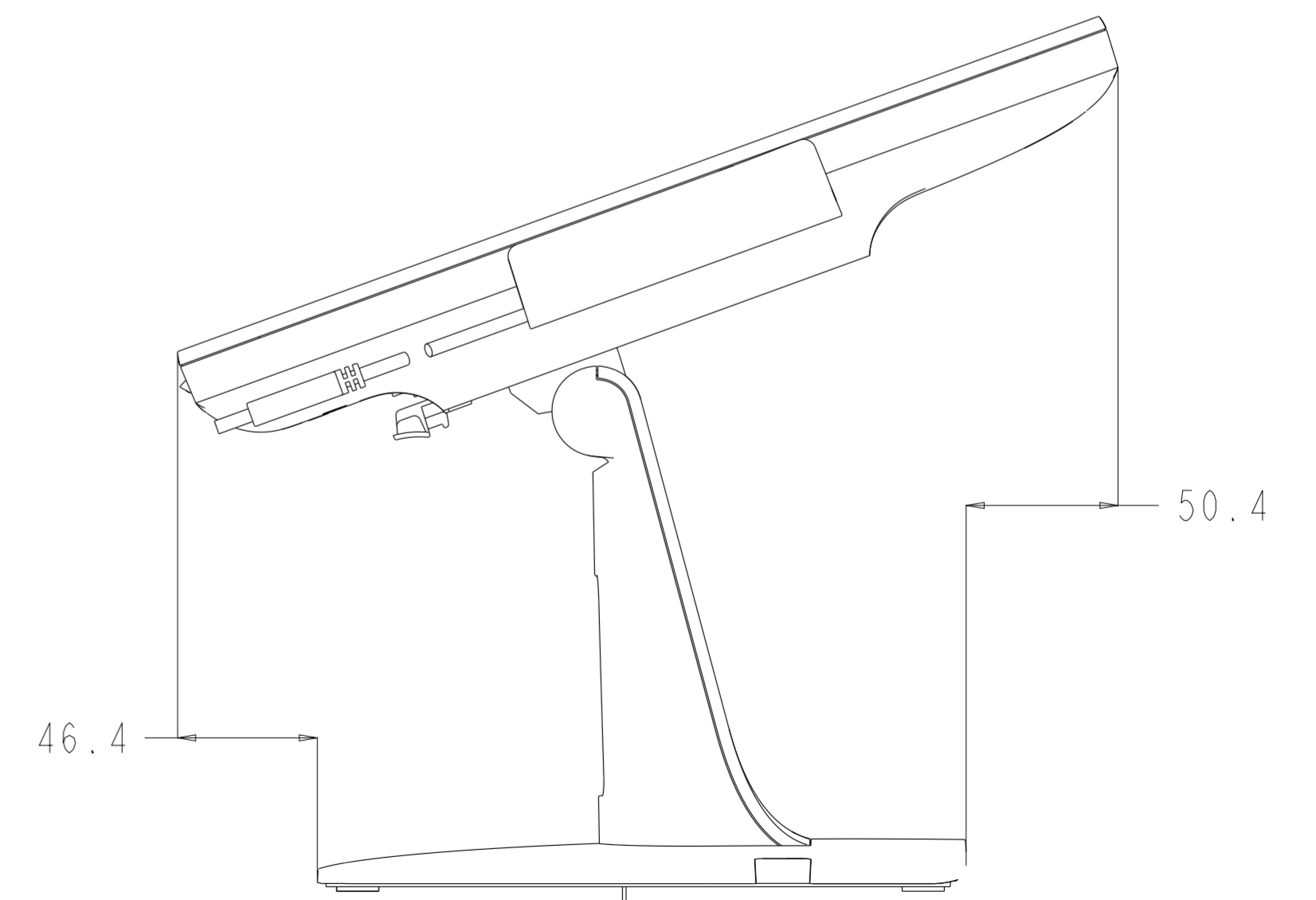
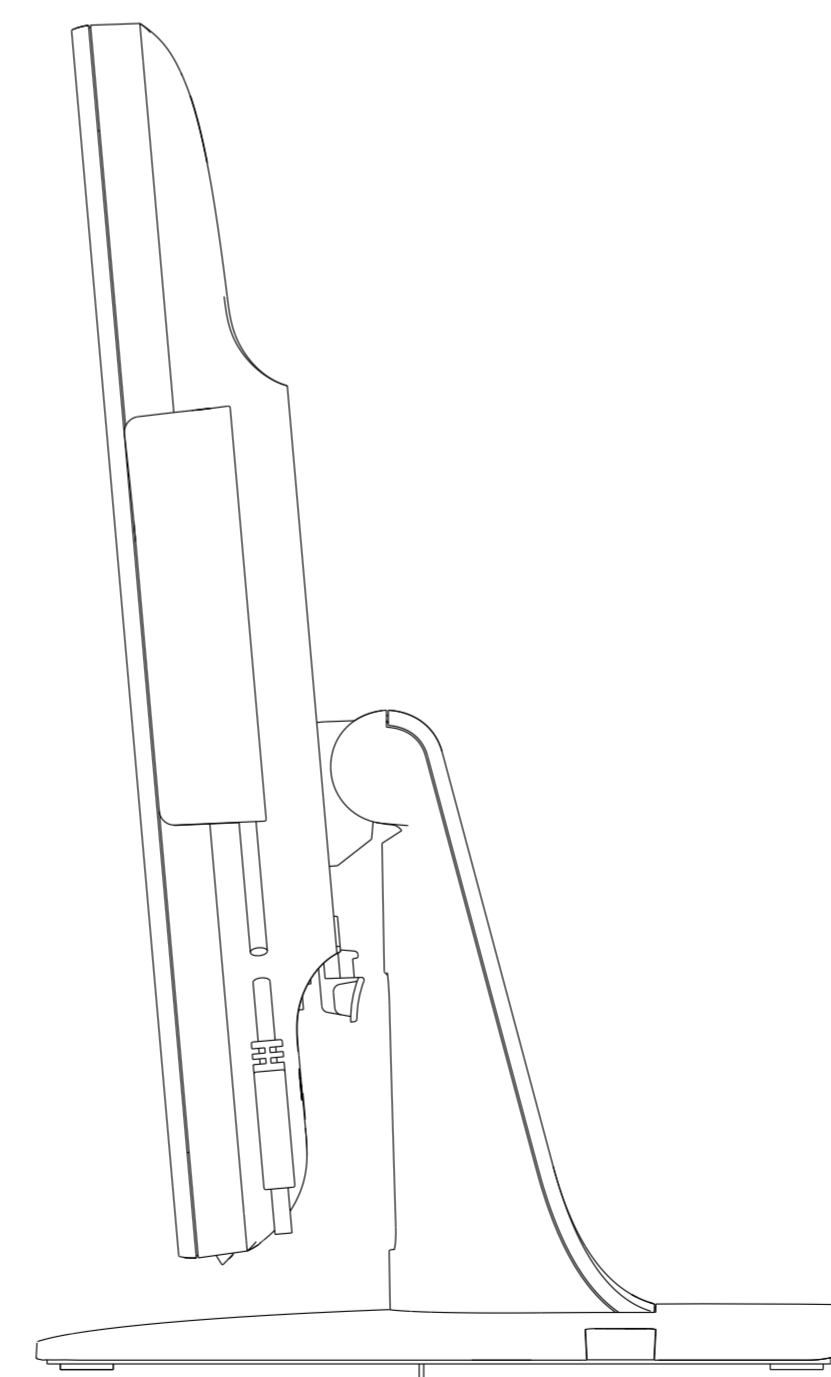
TILT 70° FROM VERTICAL



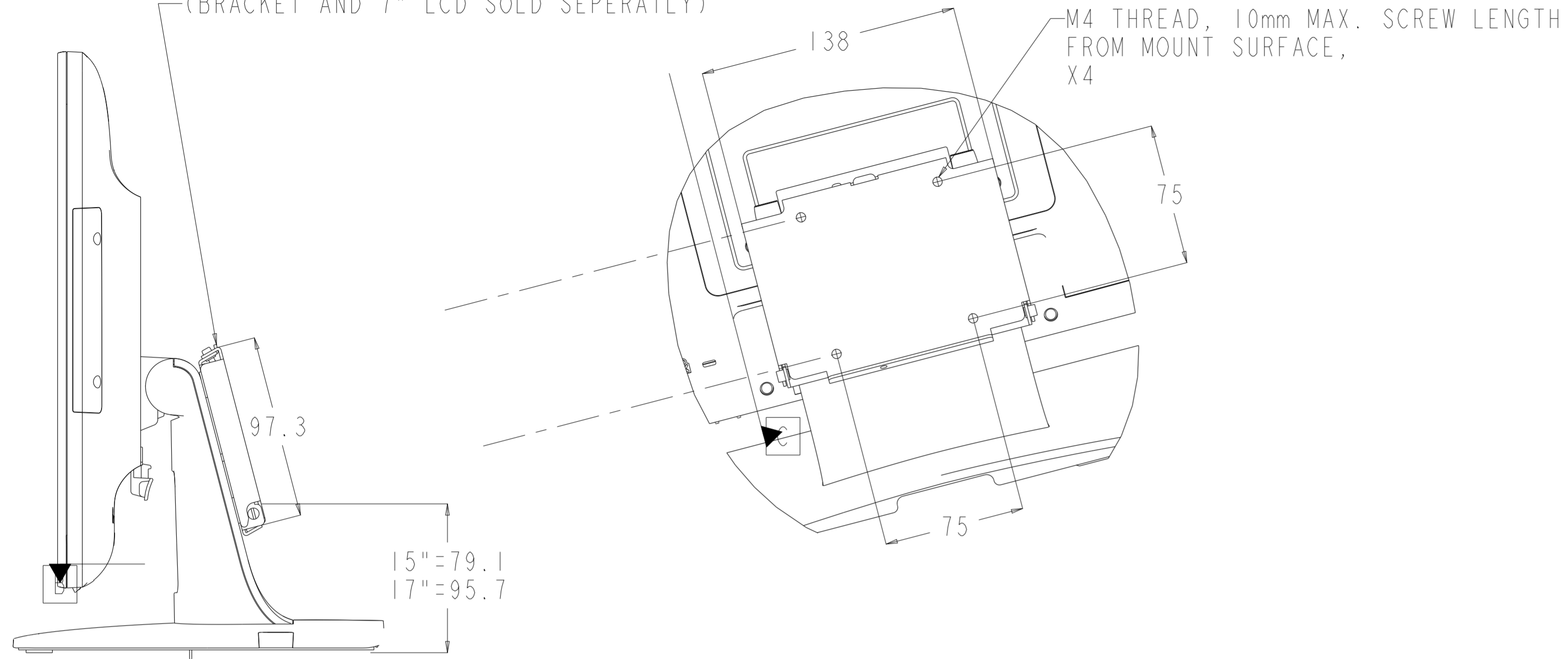
1517 / 1717 INPUTS / OUTPUTS



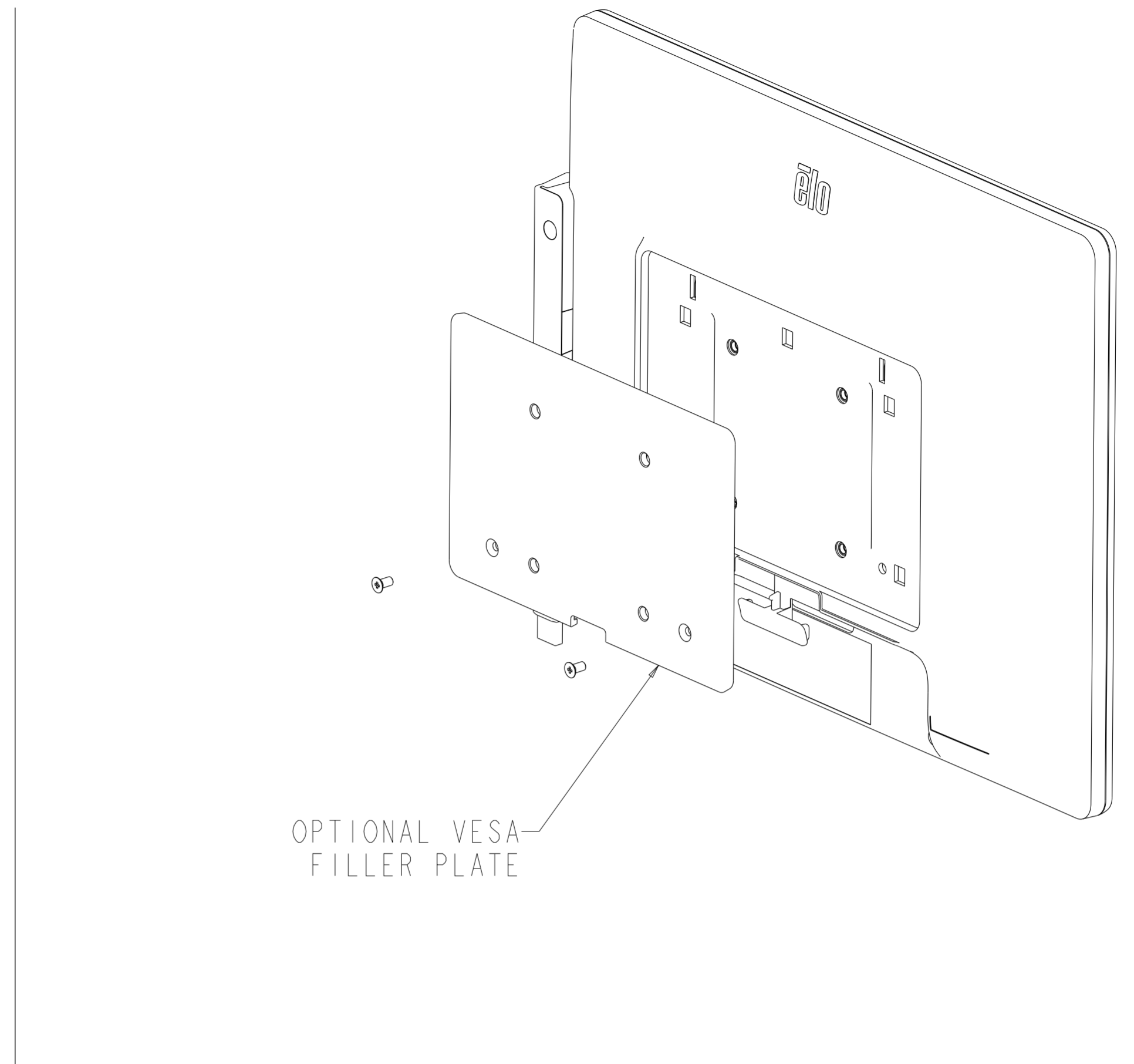
1715 STAND BOTOM VIEW



0700 MOUNTING BRACKET, P/N E332358
(BRACKET AND 7" LCD SOLD SEPERATLY)



OPTIONAL VESA-FILLER PLATE



0700 7" LCD, NON-TOUCH P/N E807955
TOUCH P/N E791658

