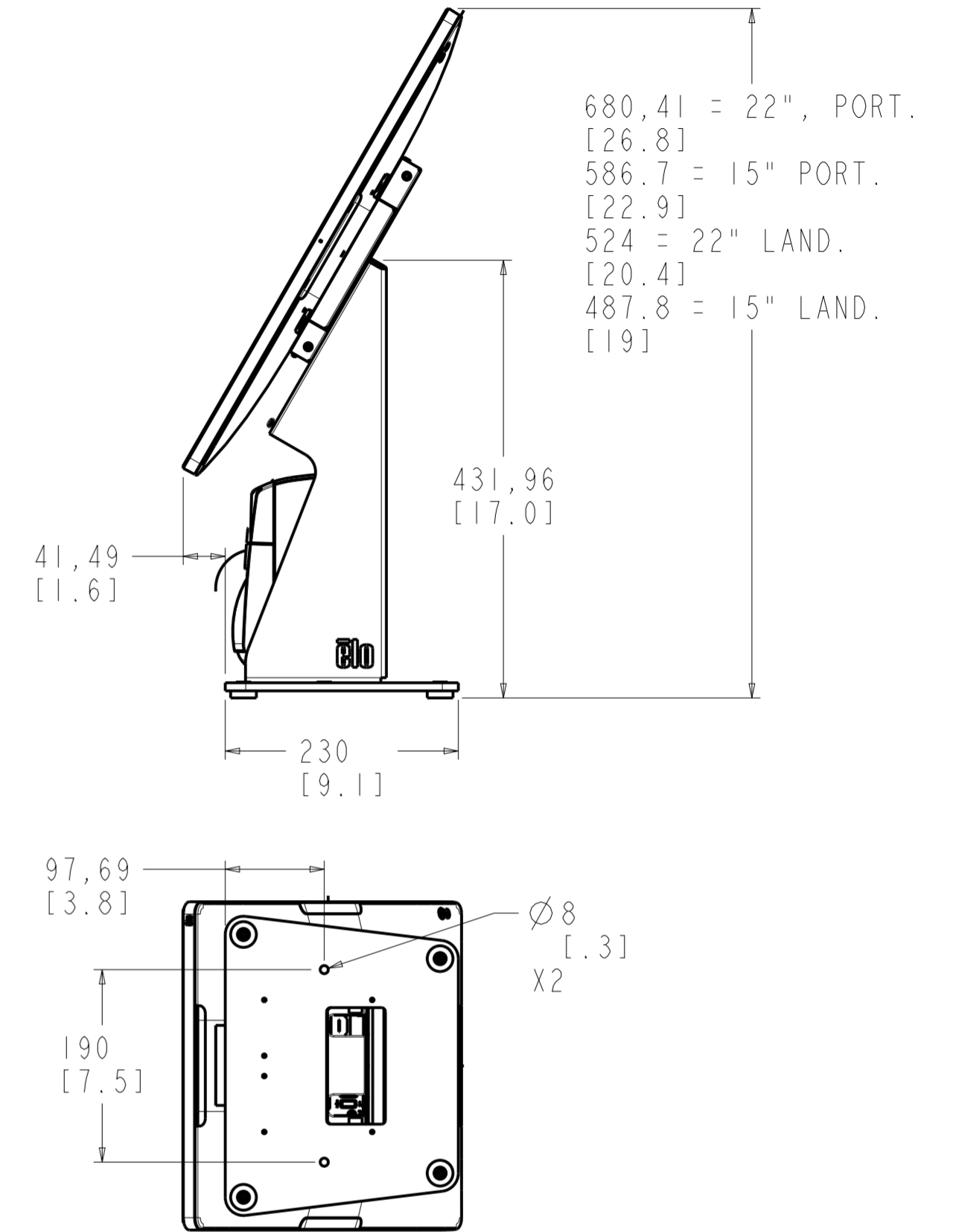
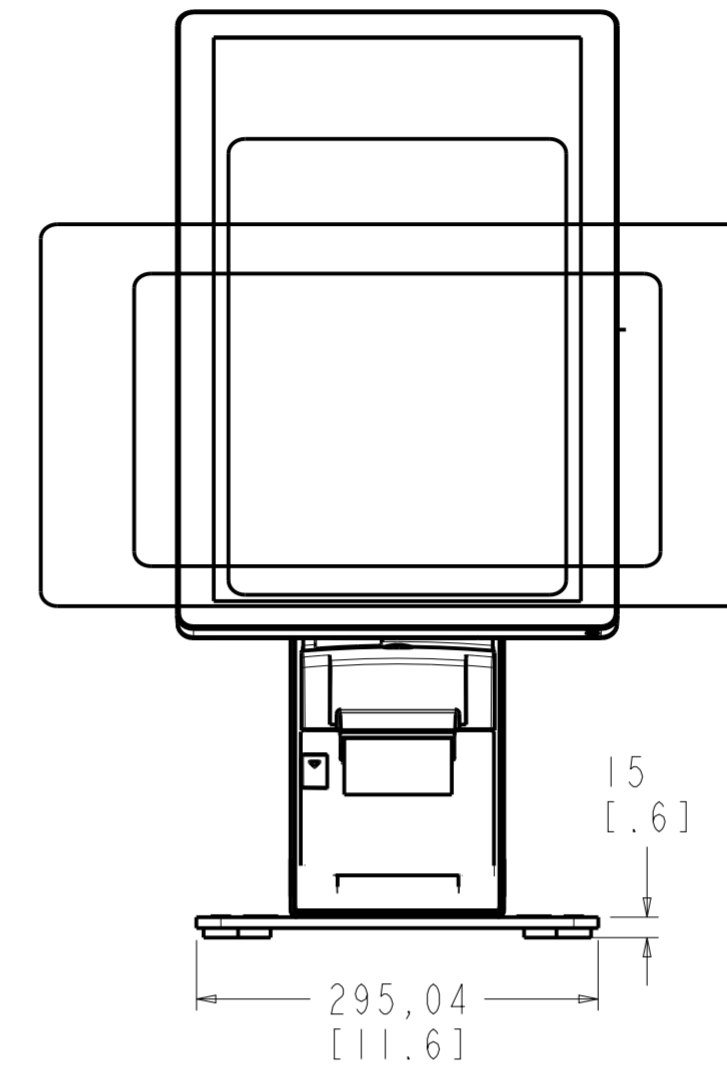
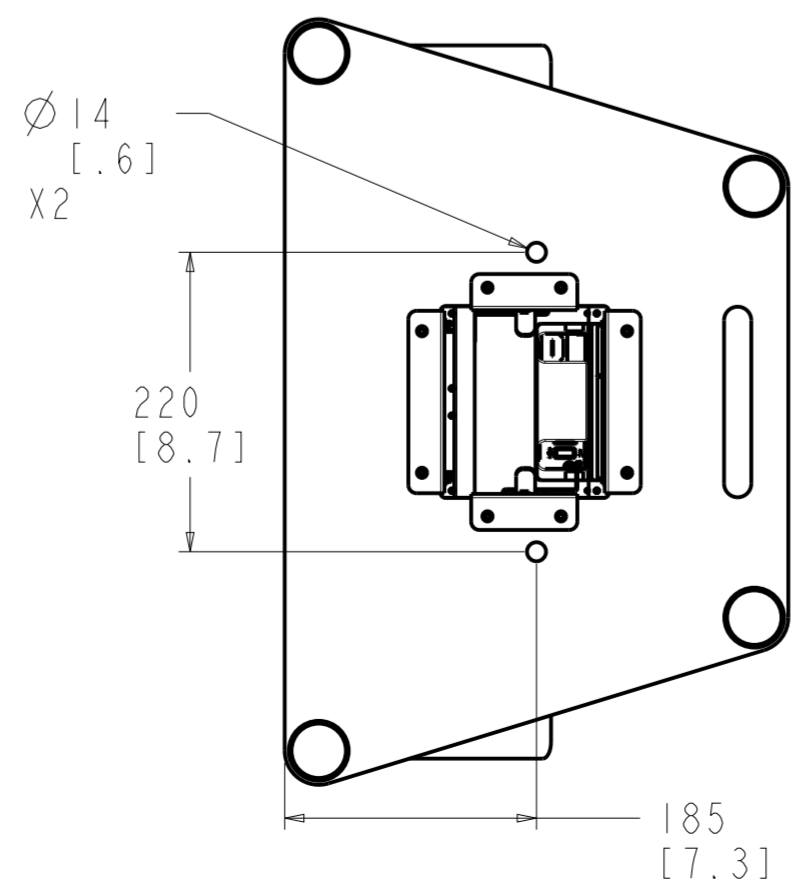
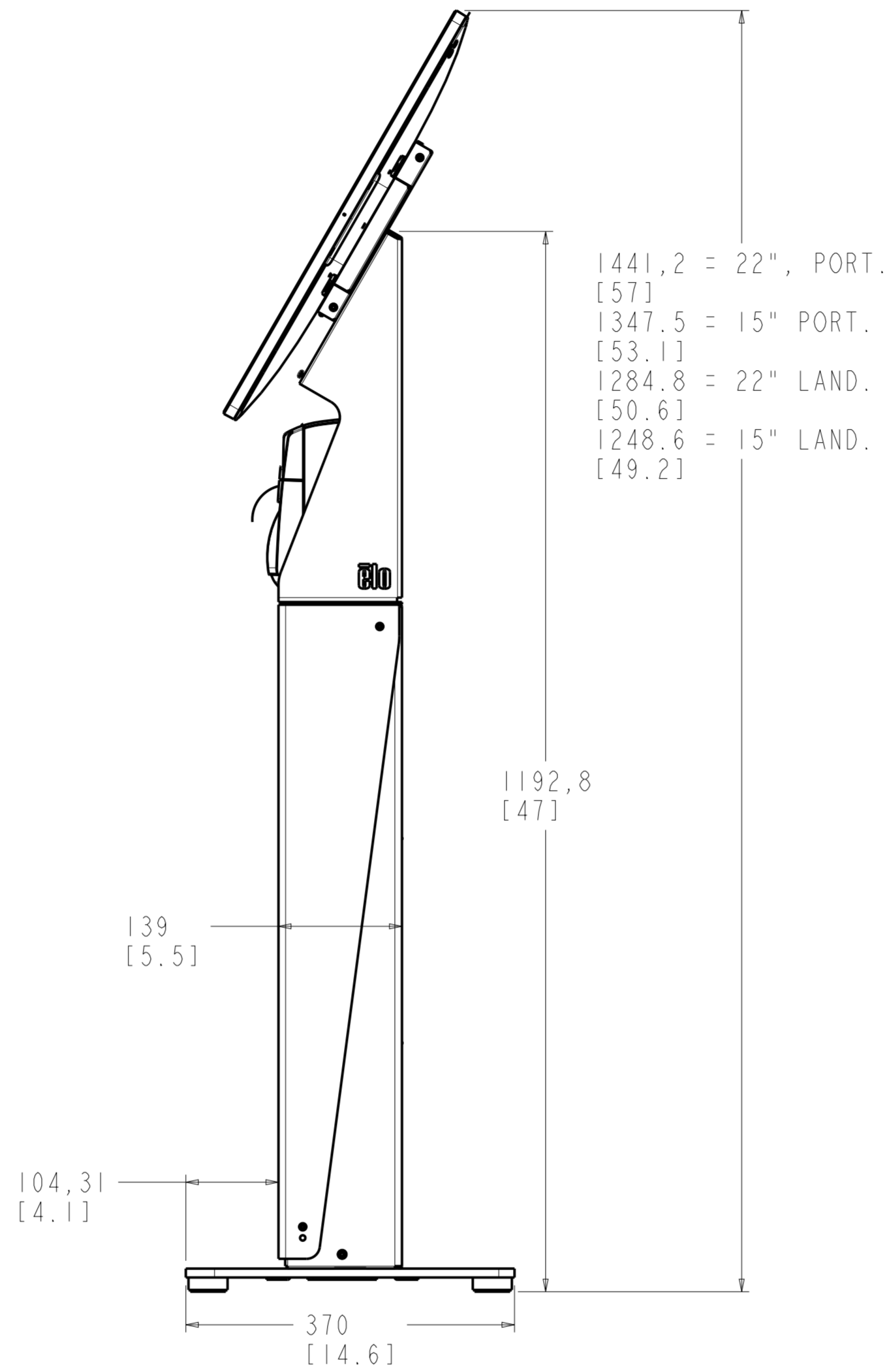
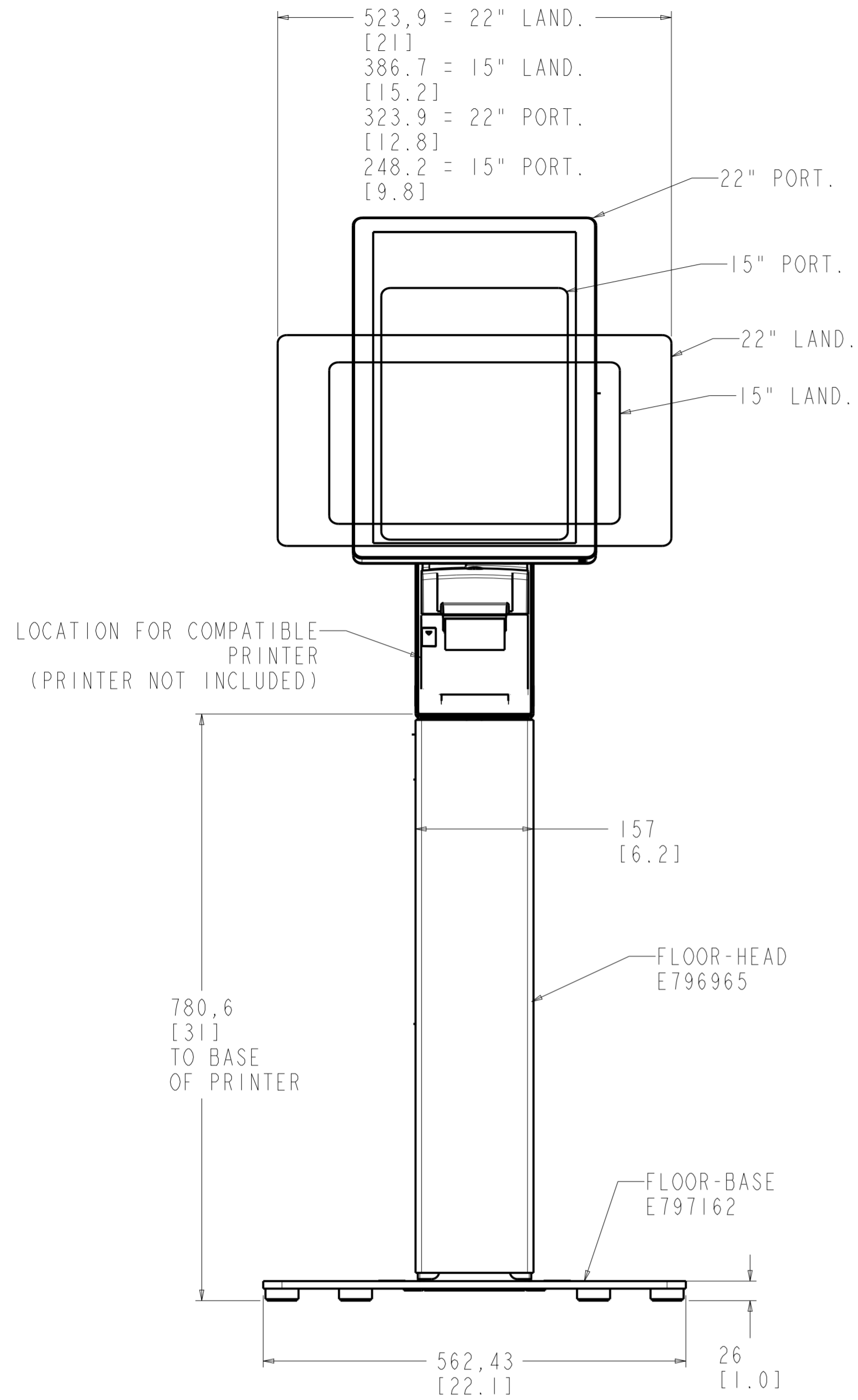
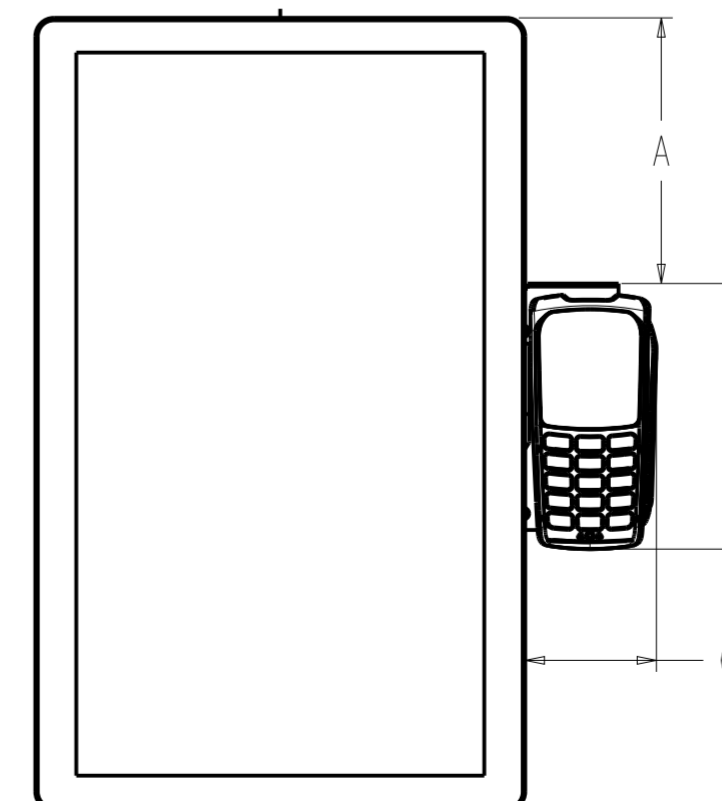


FLOOR STAND OPTION
AS SHOWN REQUIRES:
- FLOOR-BASE, E797162
- FLOOR-HEAD, E421325

COUNTER-TOP OPTION
AS SHOWN REQUIRES:
- COUNTER TOP, E421137



EMV KITS WITH COUNTER / FLOOR STANDS



	A 22" P	A 22" L	A 15" P	A 15" L	B ALL	C ALL
INGENICO RP757	199.4 [7.8]	99.4 [3.9]	130.8 [5.1]	61.5 [2.4]	72 [2.8]	126.6 [4.9]
VERIFONE MX-915	198.7 [7.8]	98.7 [3.8]	130.1 [5.1]	60.8 [2.4]	167.5 [6.6]	192.3 [7.5]
INGENICO ISC-250	175.3 [6.9]	75.6 [2.9]	107 [4.2]	37.7 [1.5]	175.6 [6.9]	86.8 [3.4]