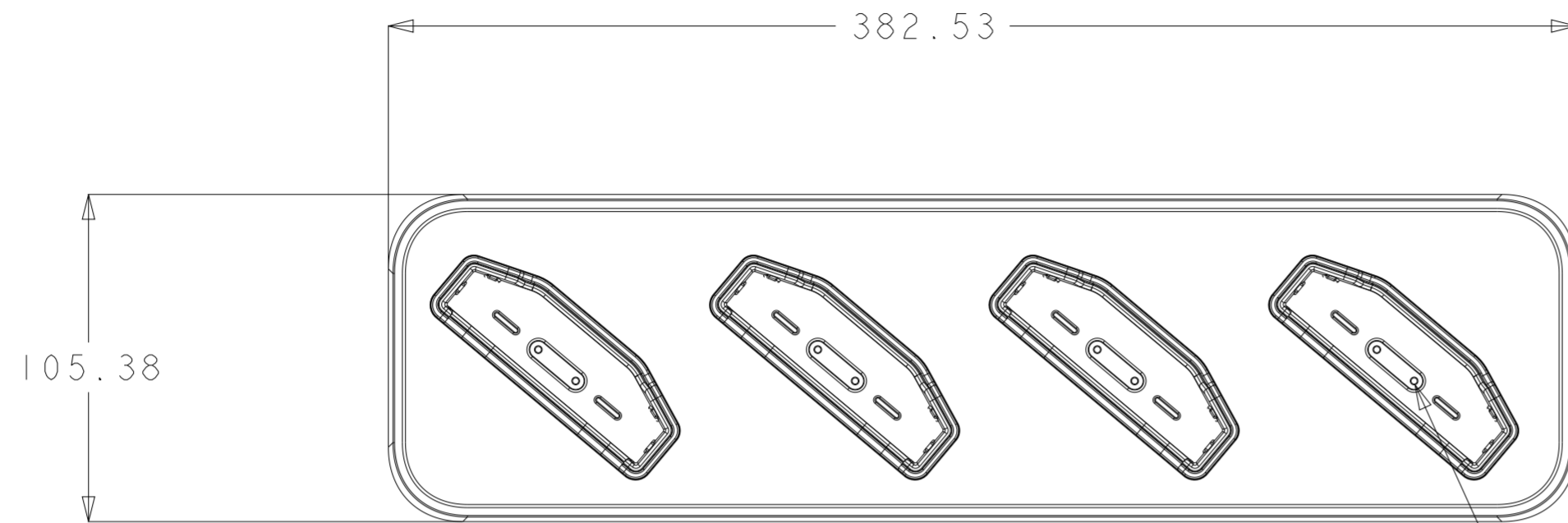
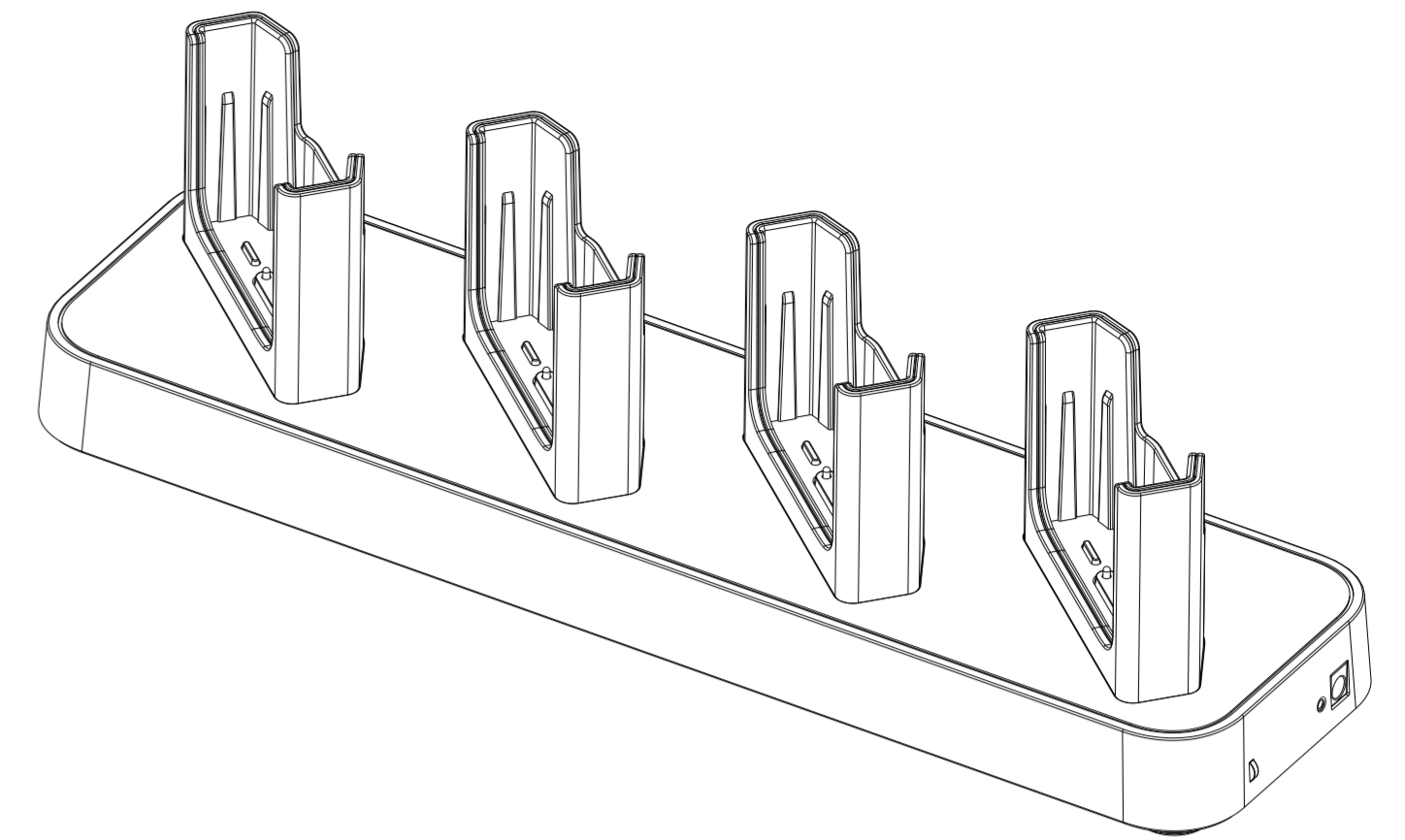


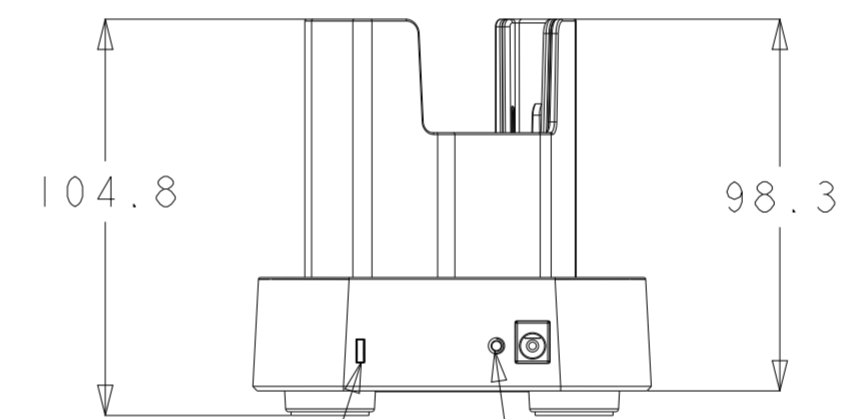
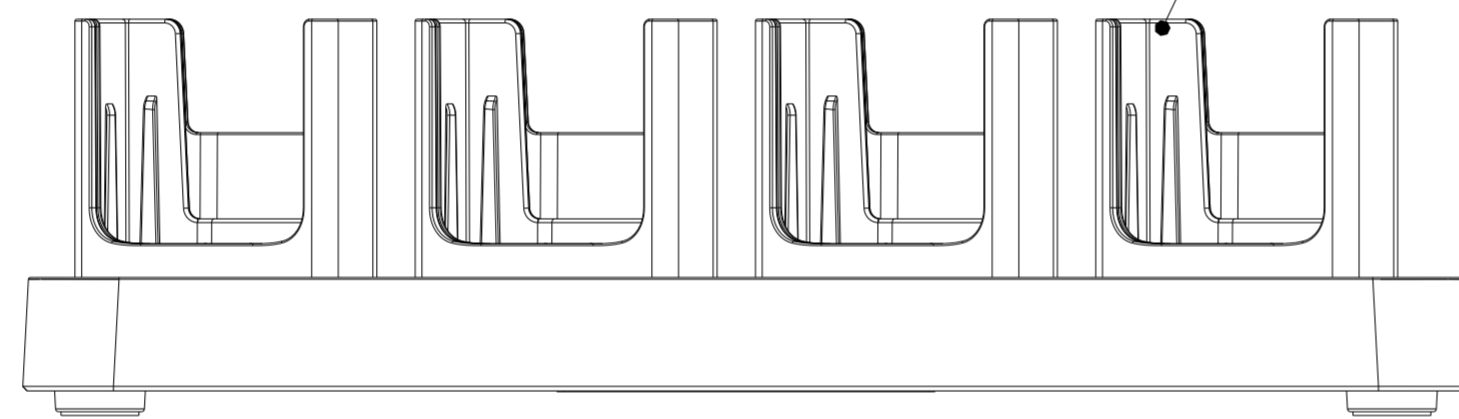
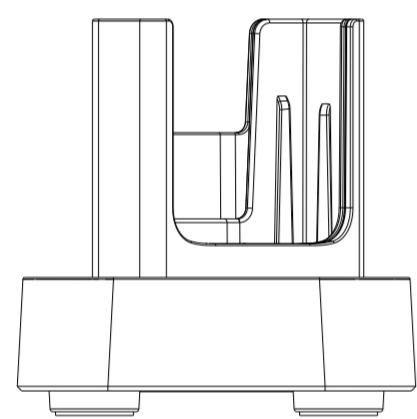
TITLE: 4-DEVICE-CHARGER



2X POGO FOR M51 CHARGING PER SLOT

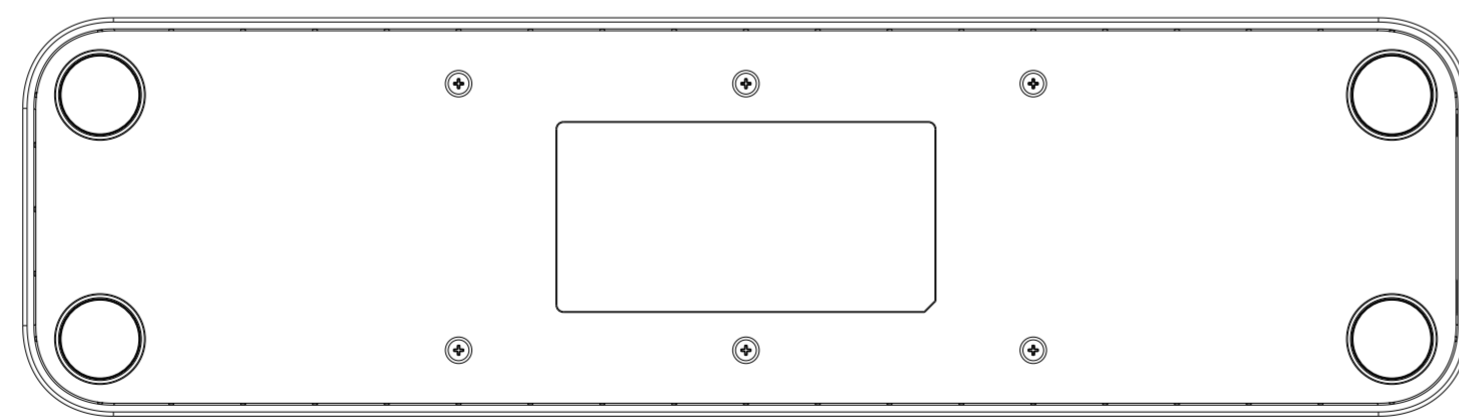
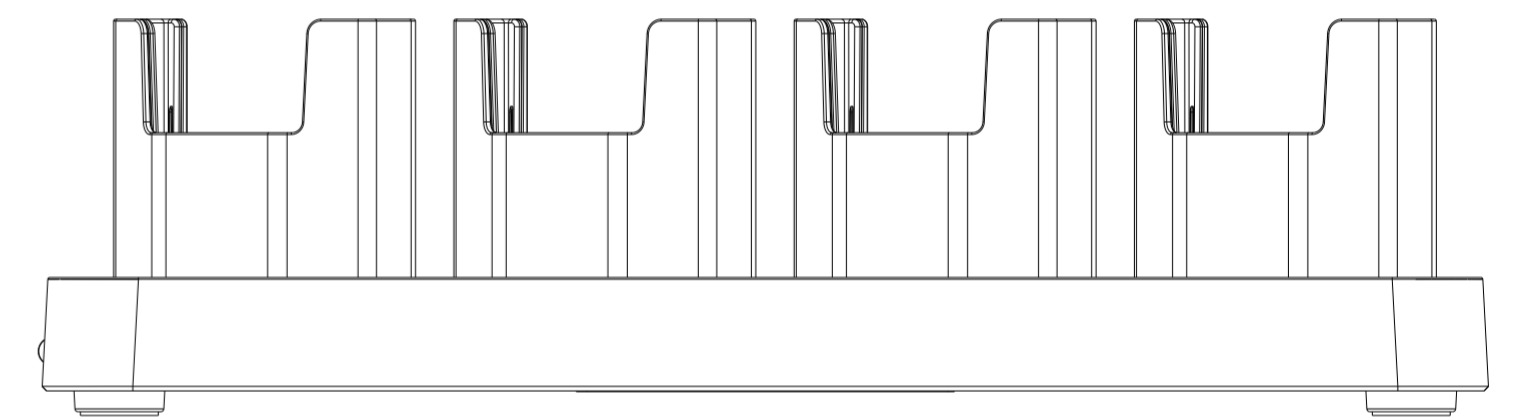


4X CUP:
REMOVE FOR M51+RUBBER BOOT



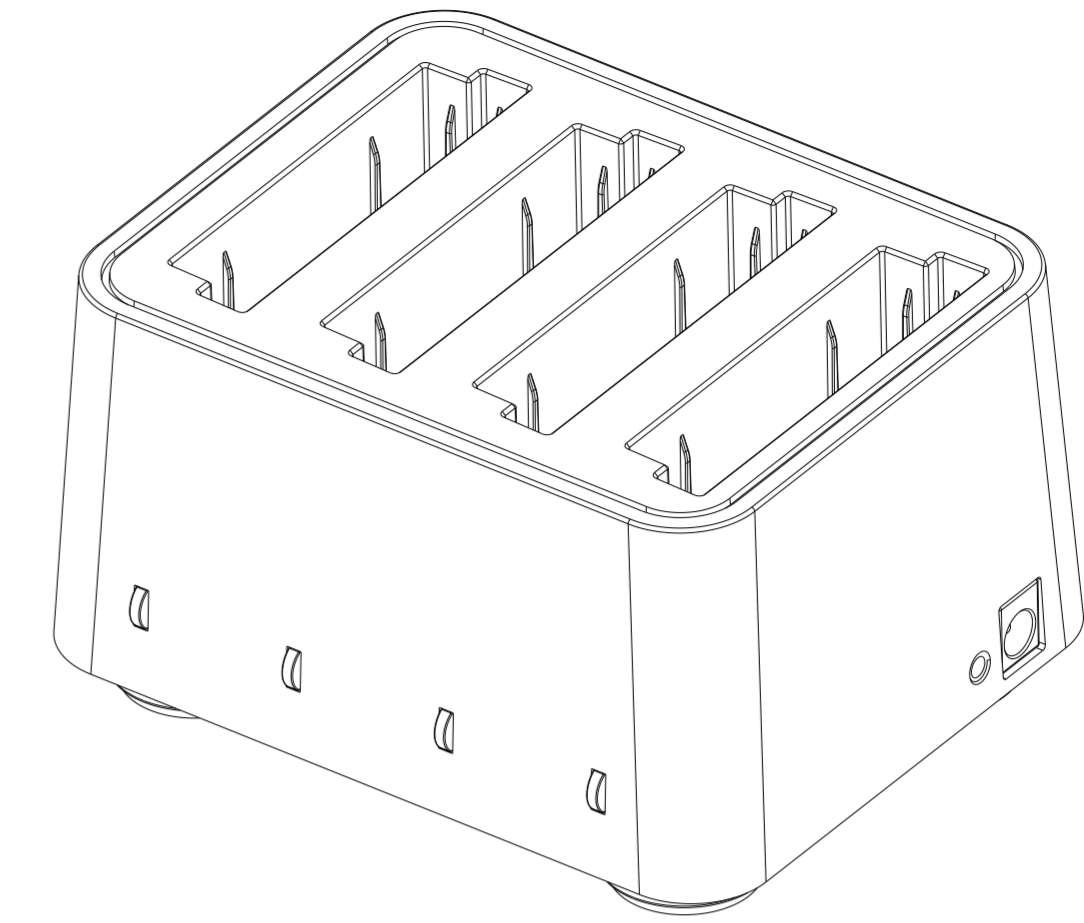
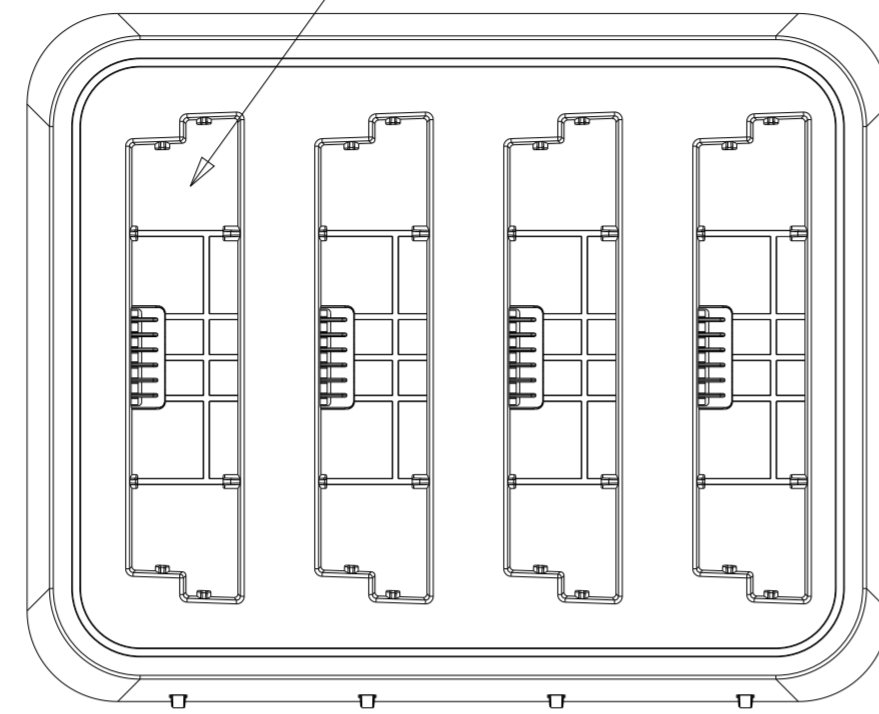
POWER LED

LOCK SCREW-M3 FOR DC-IN PLUG

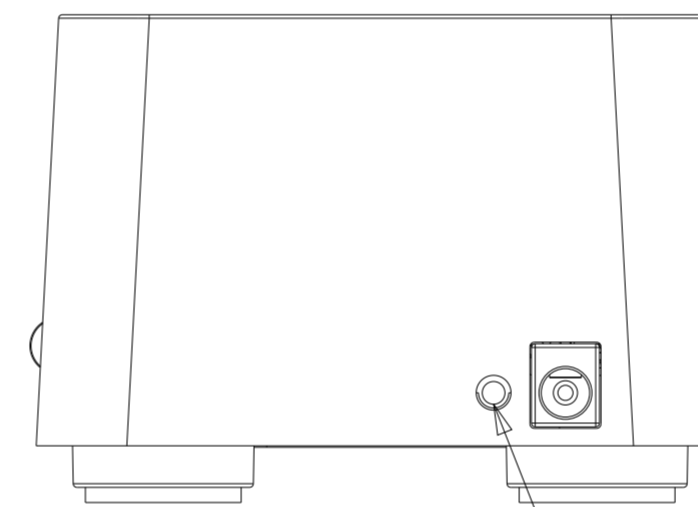
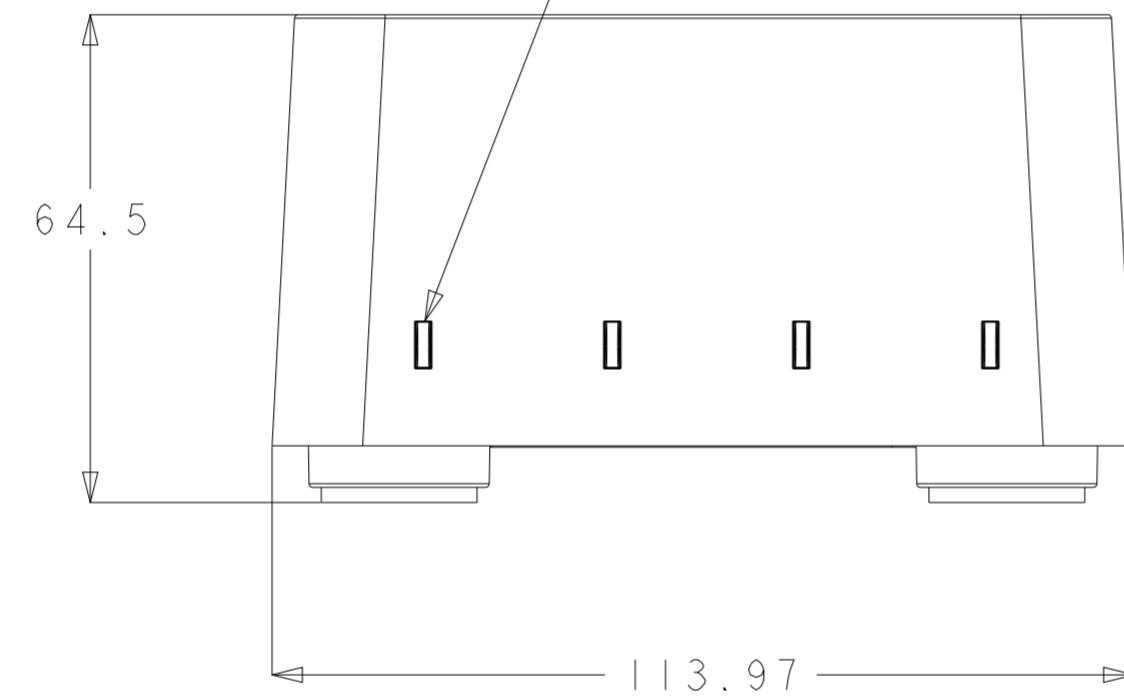
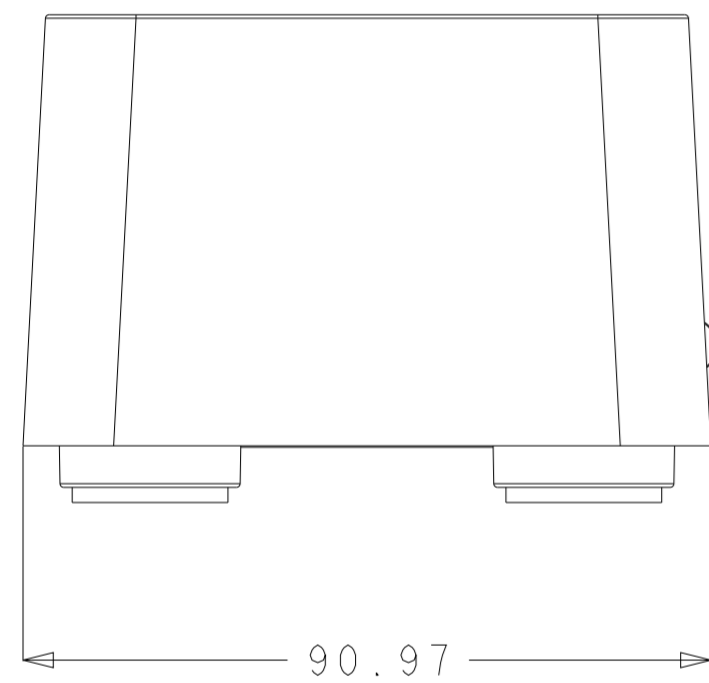


TITLE: 4-AUX-BATTERY-CHARGER

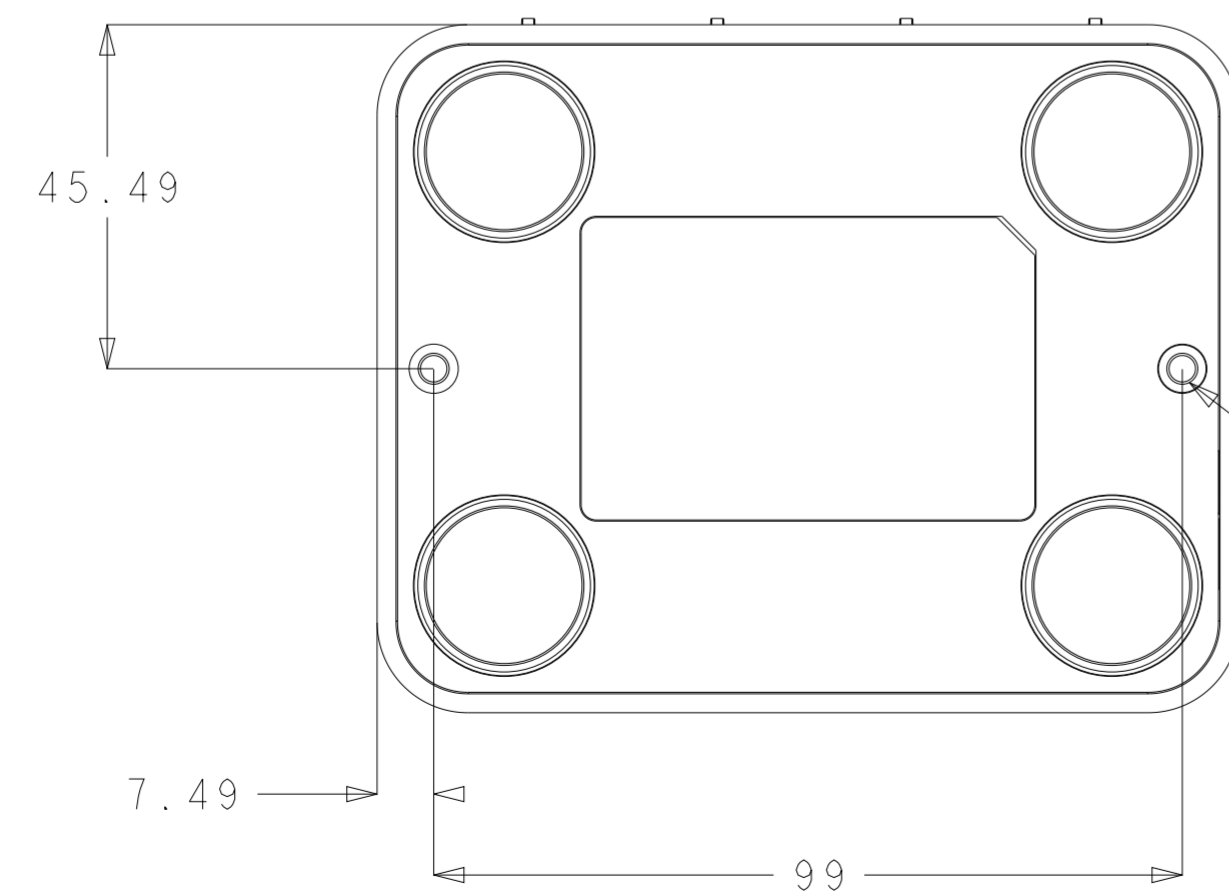
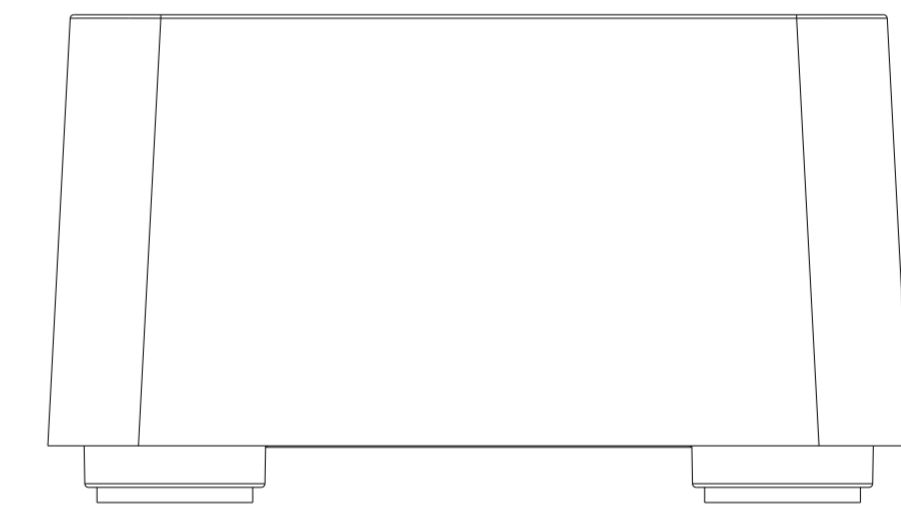
4X SLOTS FOR BATTERY(E533892) CHARGING



CHARGING STATUS LED PER BATTERY

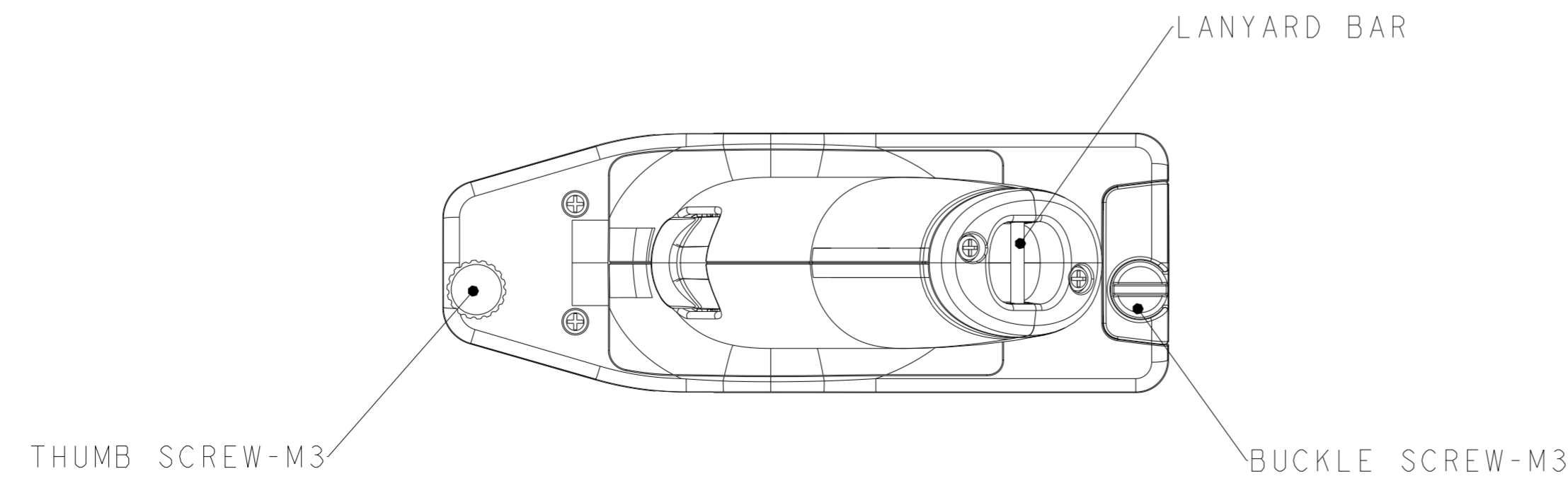
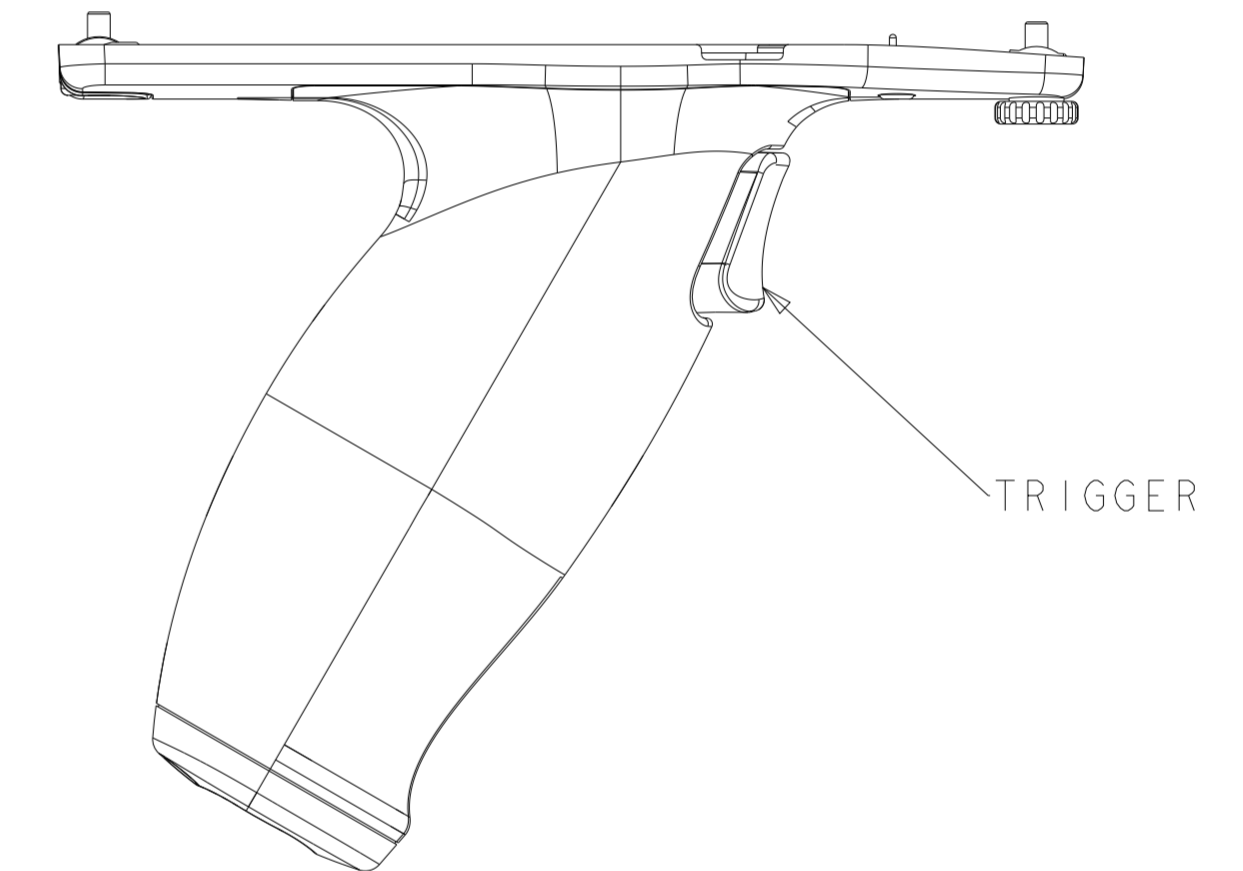
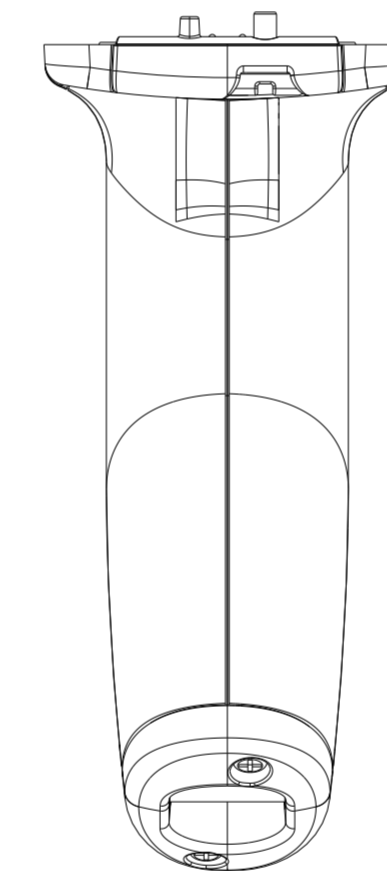
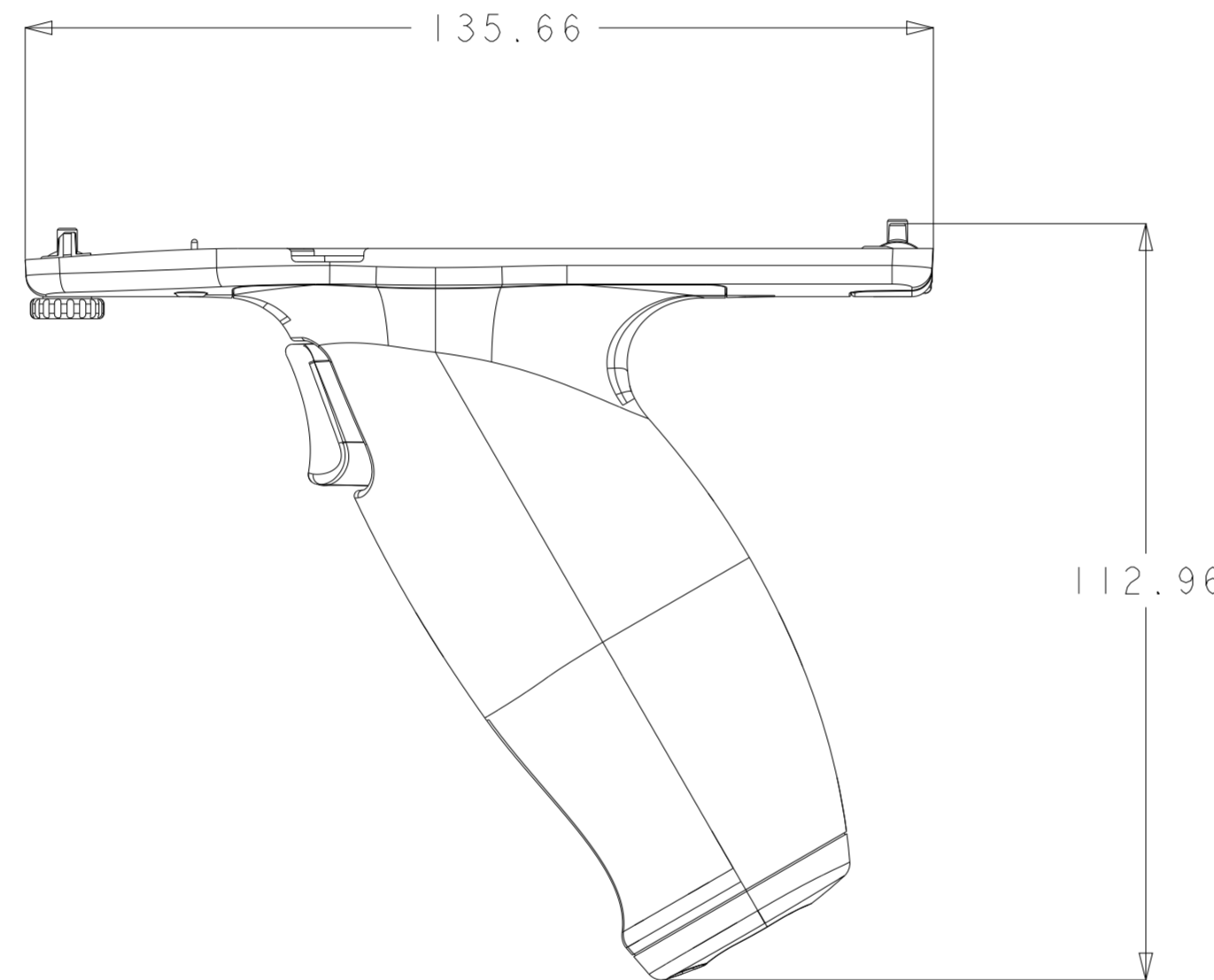
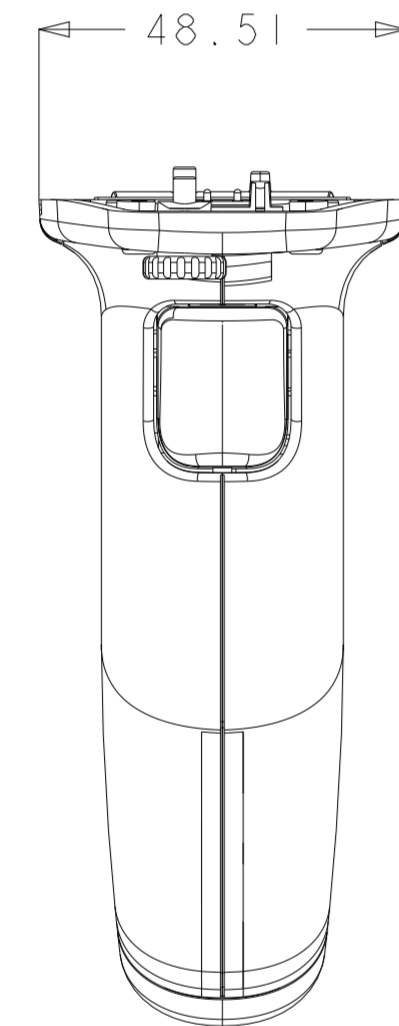
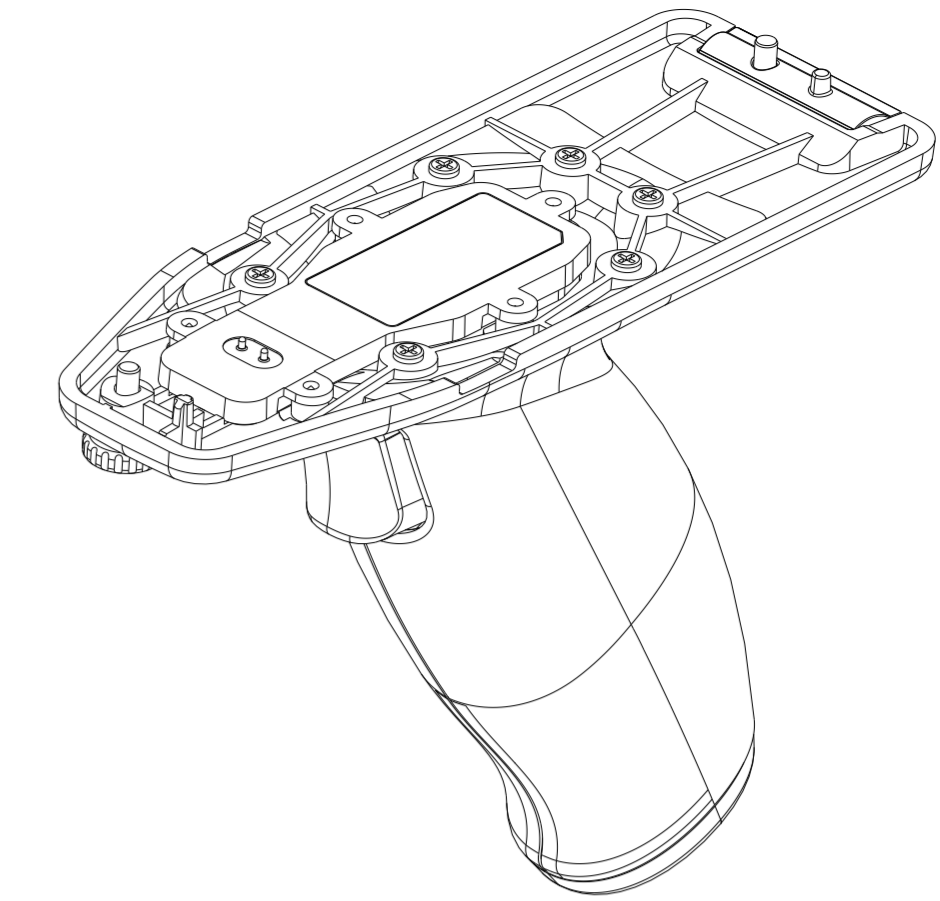
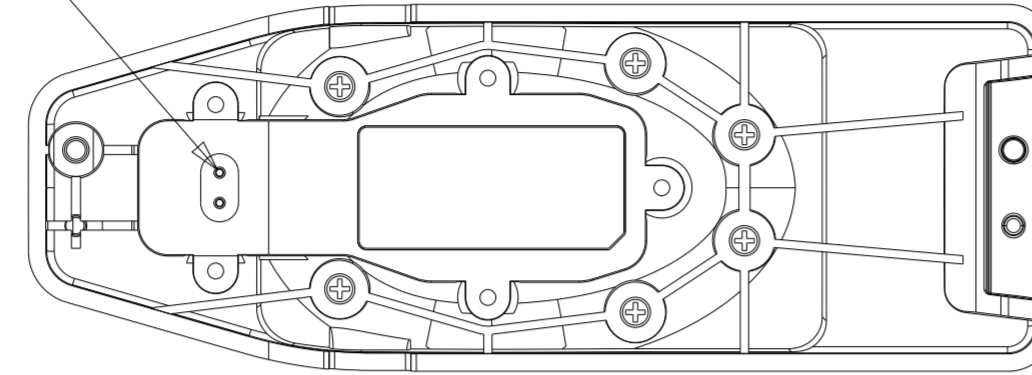


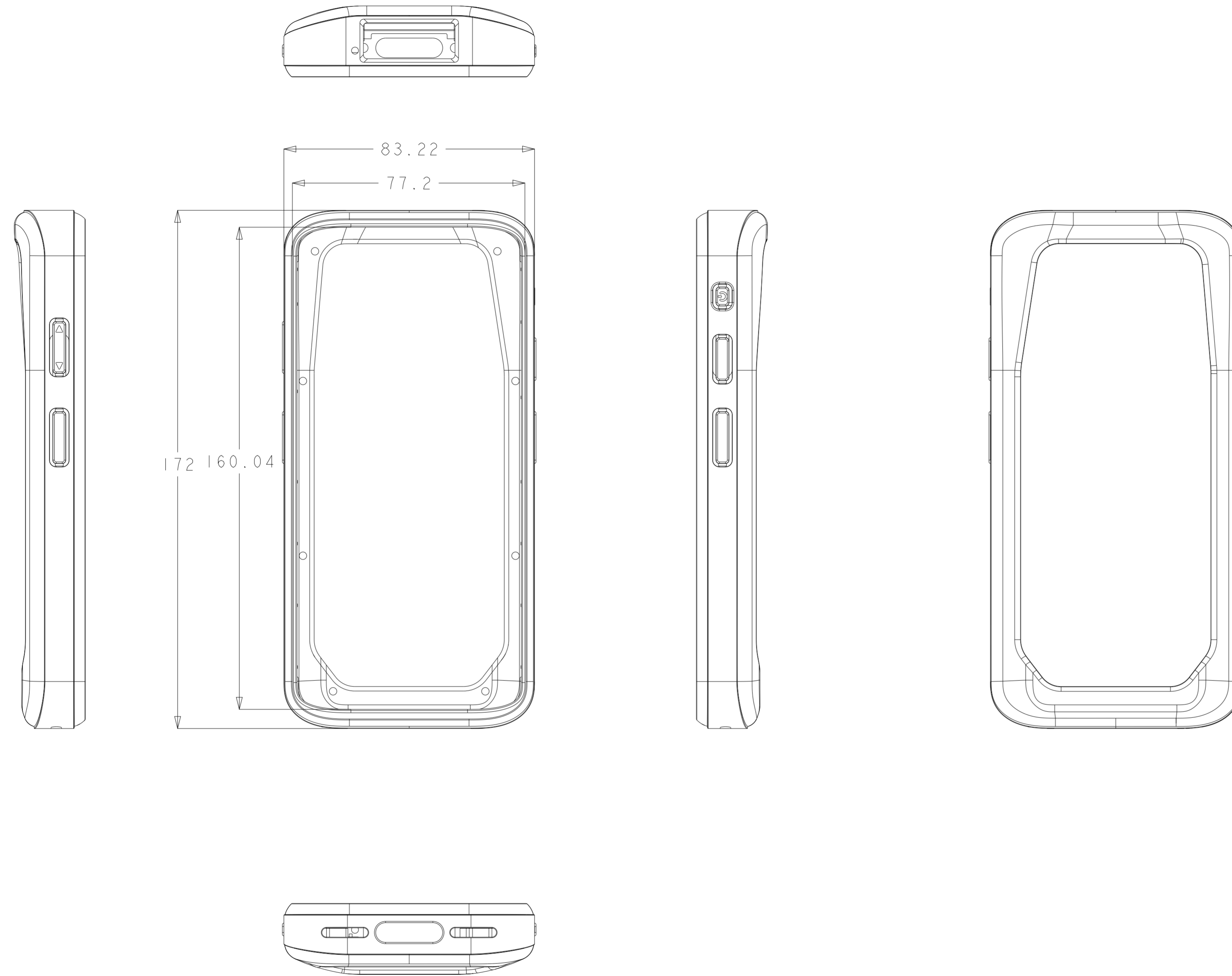
LOCK SCREW FOR DC-IN PLUG

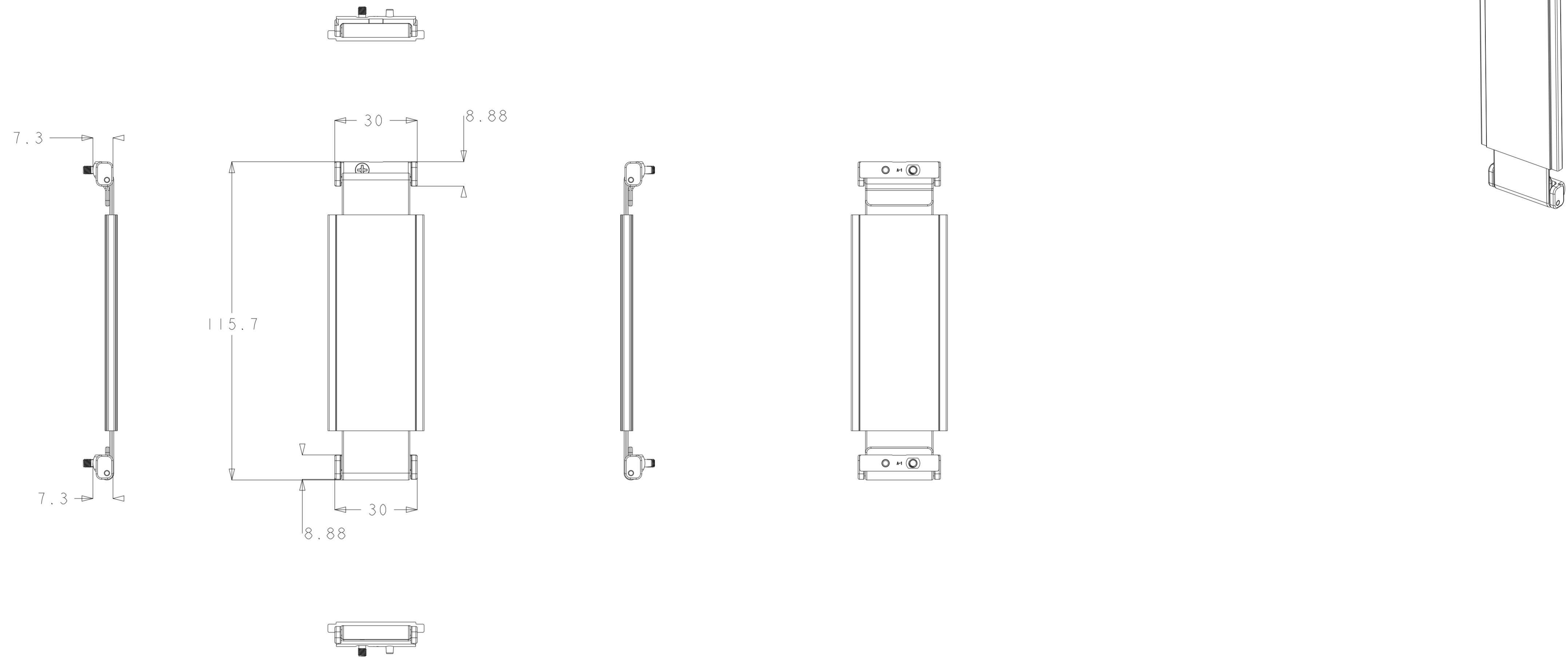


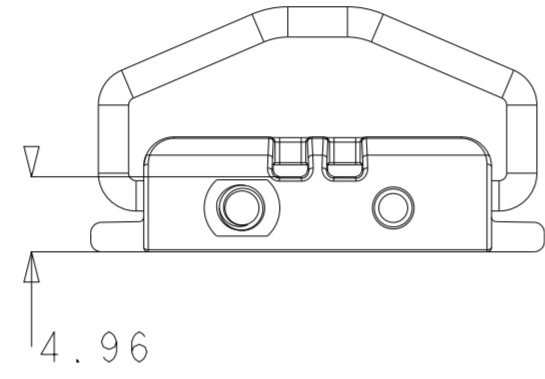
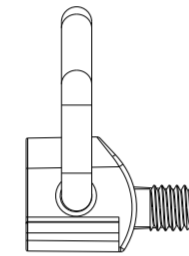
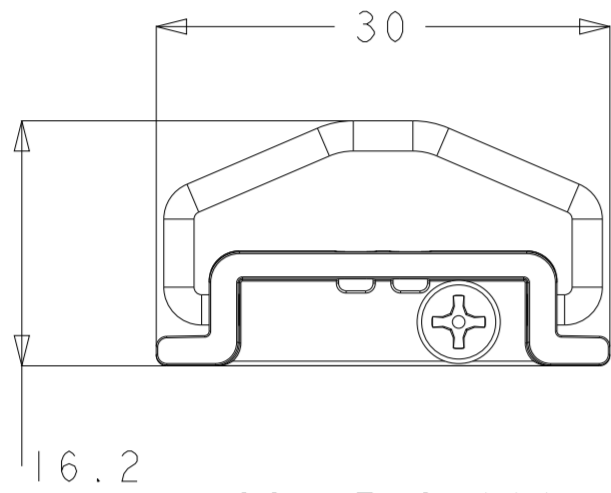
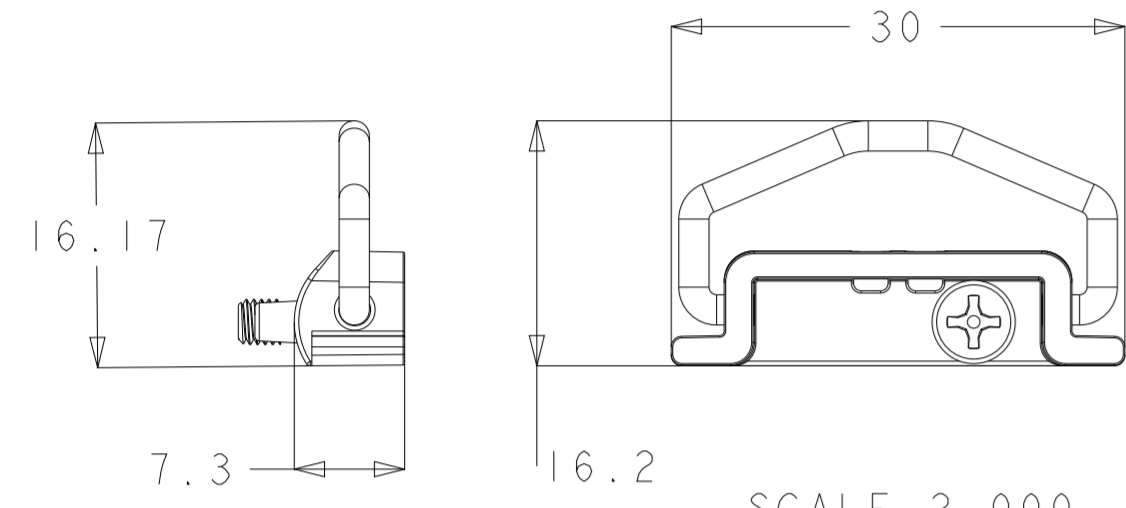
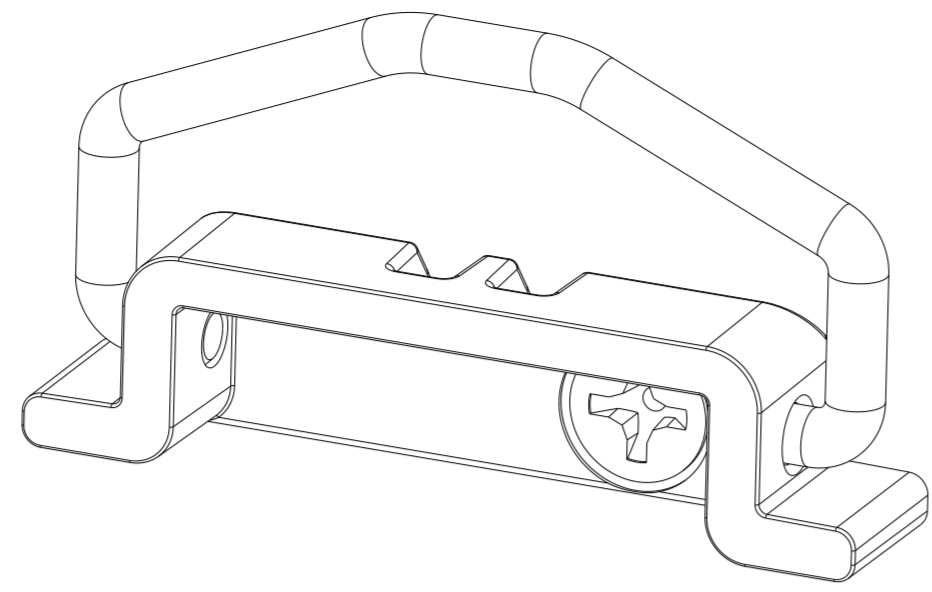
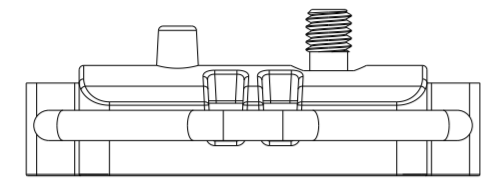
SUPPORT TABLE MOUNTING: 2X SCREW-M4

2X POGO FOR CONNECTION WITH M51 TERMINAL



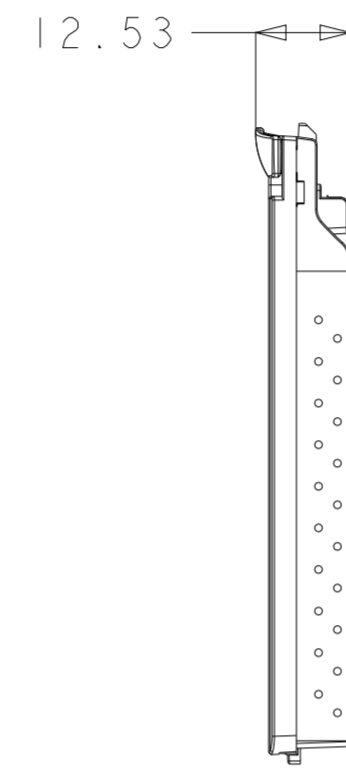
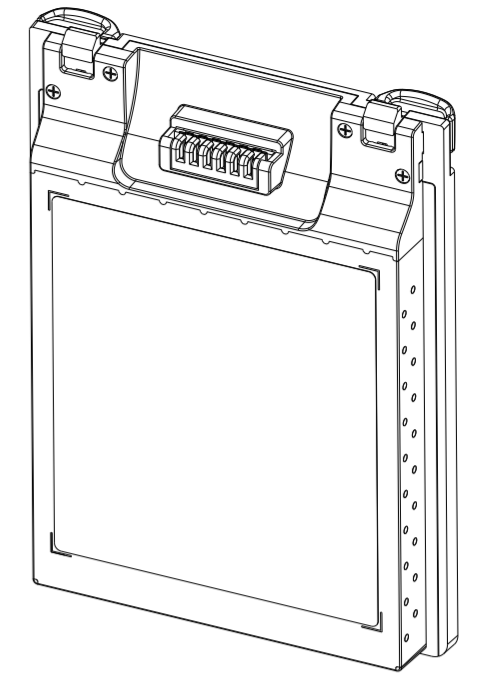
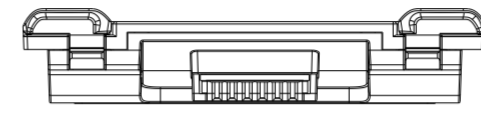
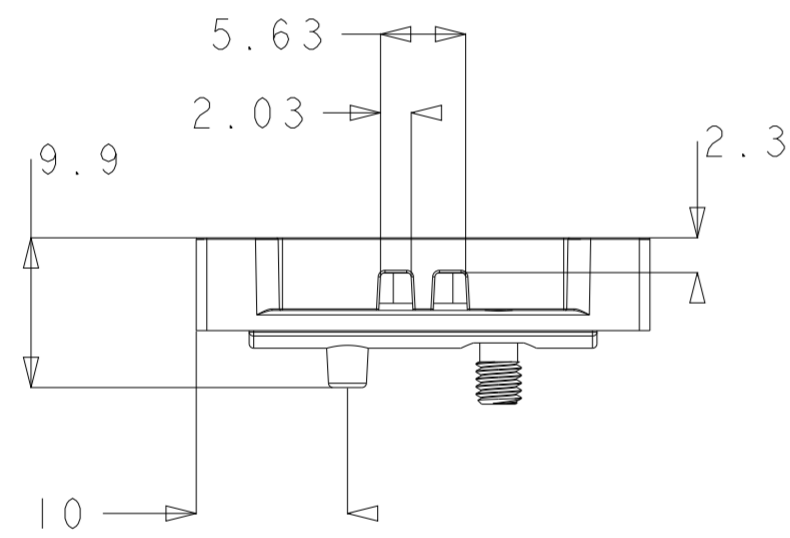




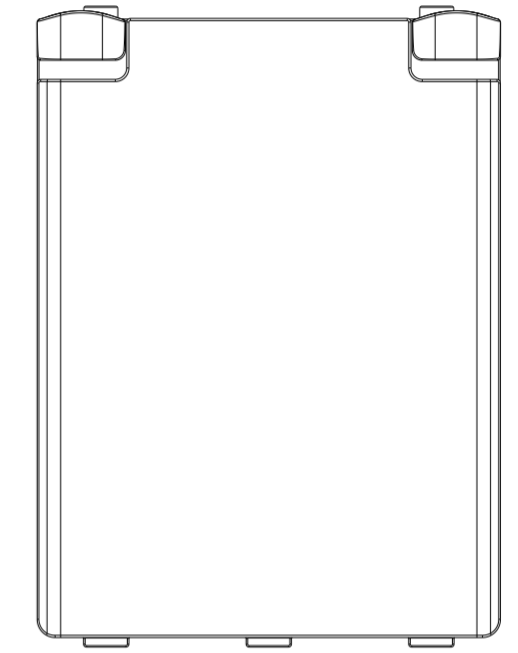
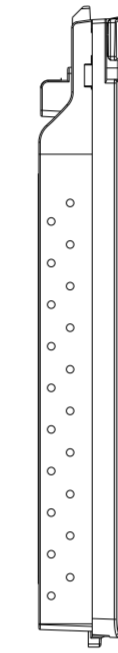
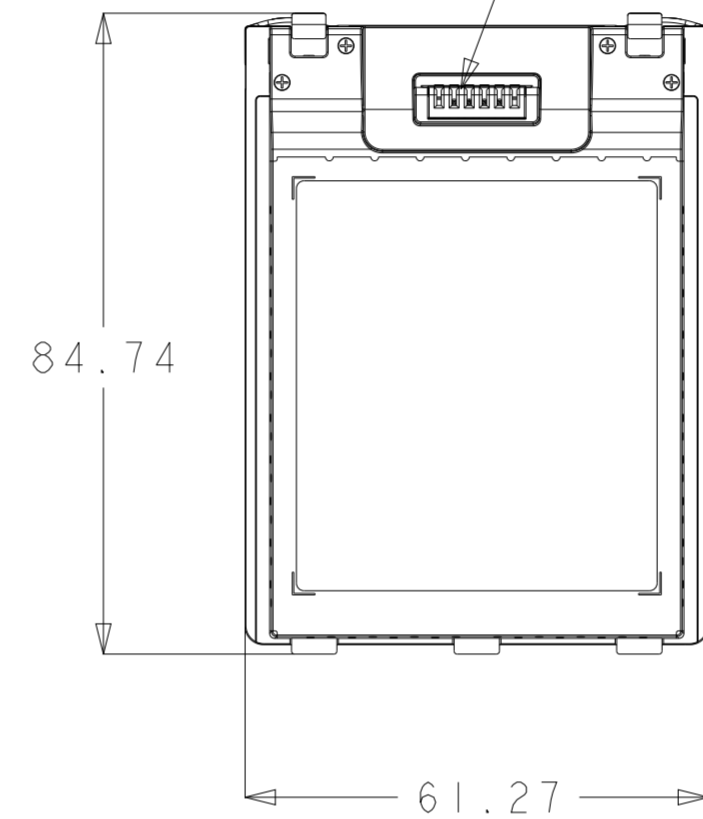


SCALE 2.000

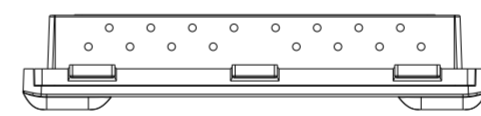
<LANYARD>



BLADE CONNECTOR



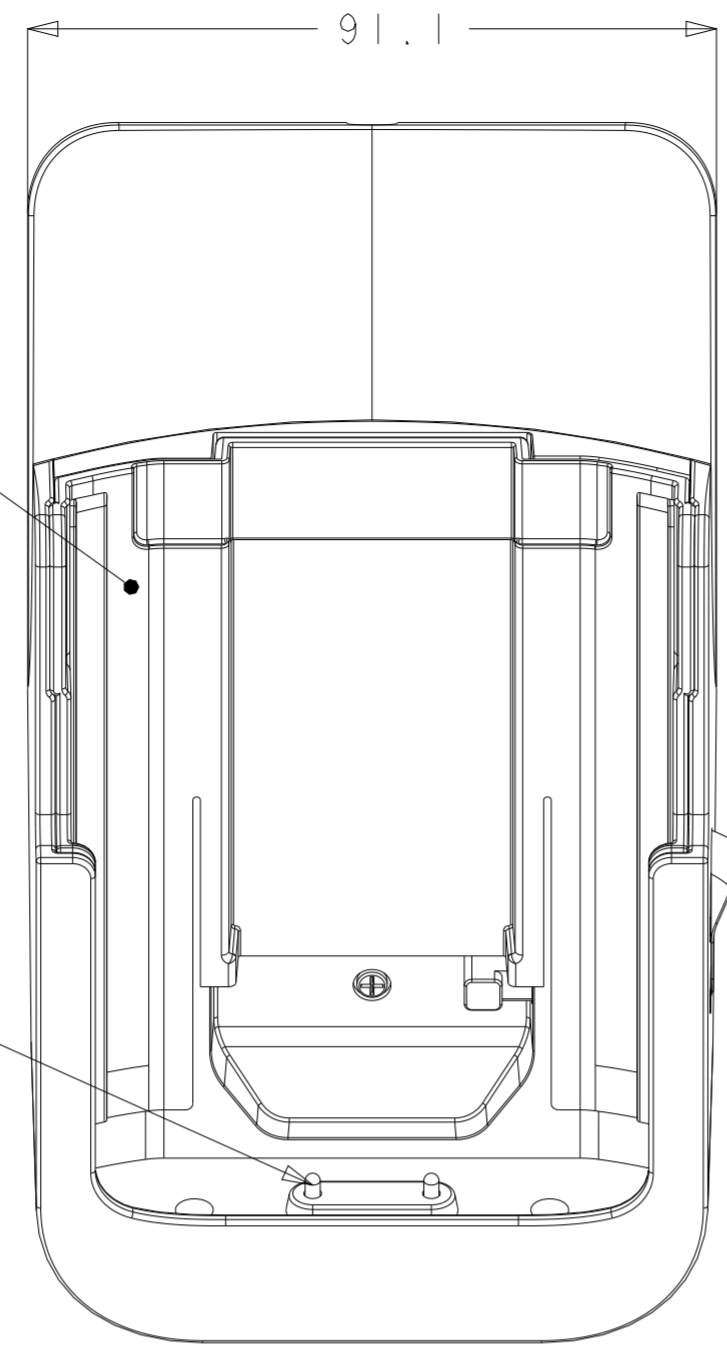
<BATTERY SPARE>



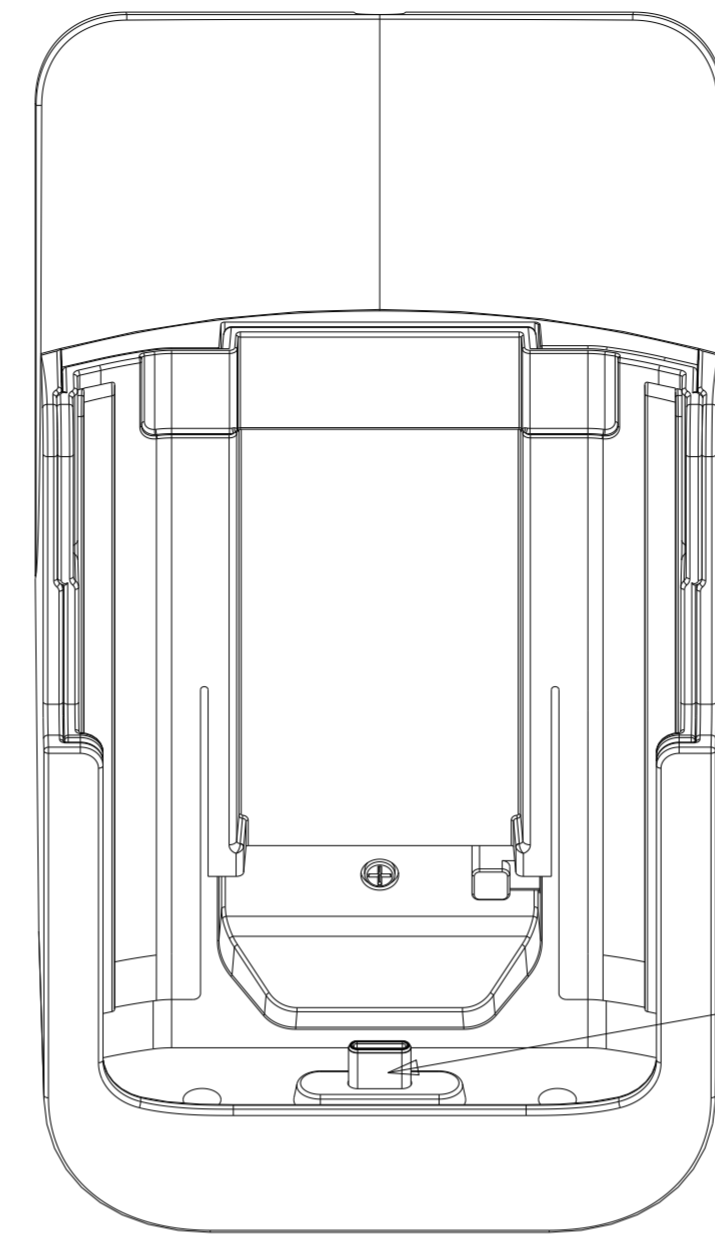
TITLE: ONE-DEVICE-DOCK

CUP: REMOVE FOR M5I+RUBBER BOOT

2X POGO FOR M5I CHARGING

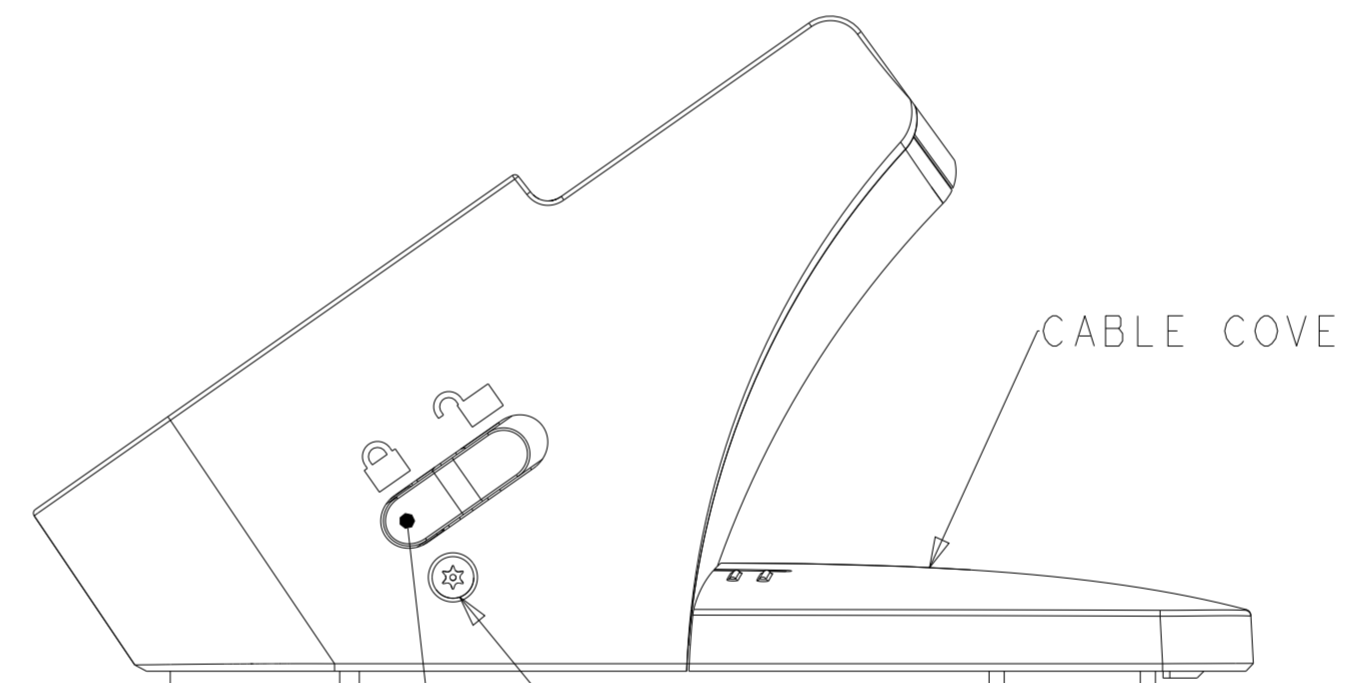
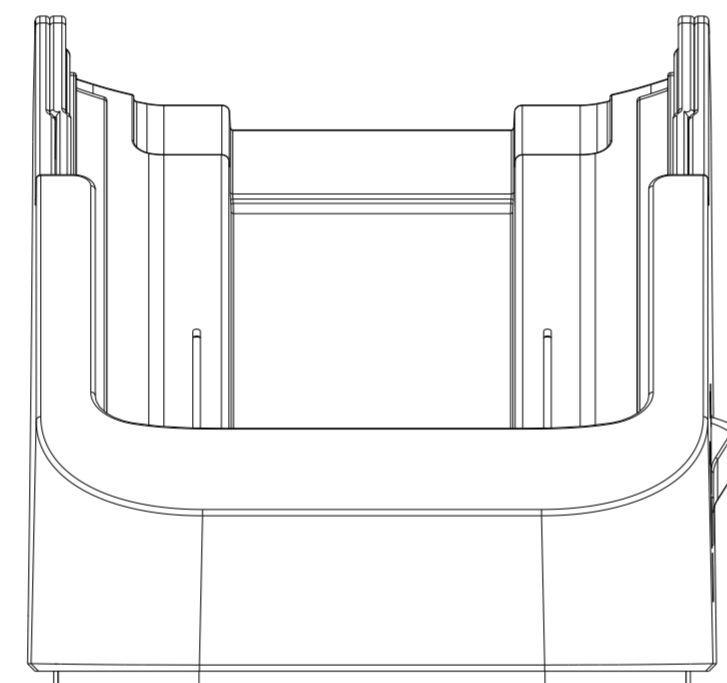
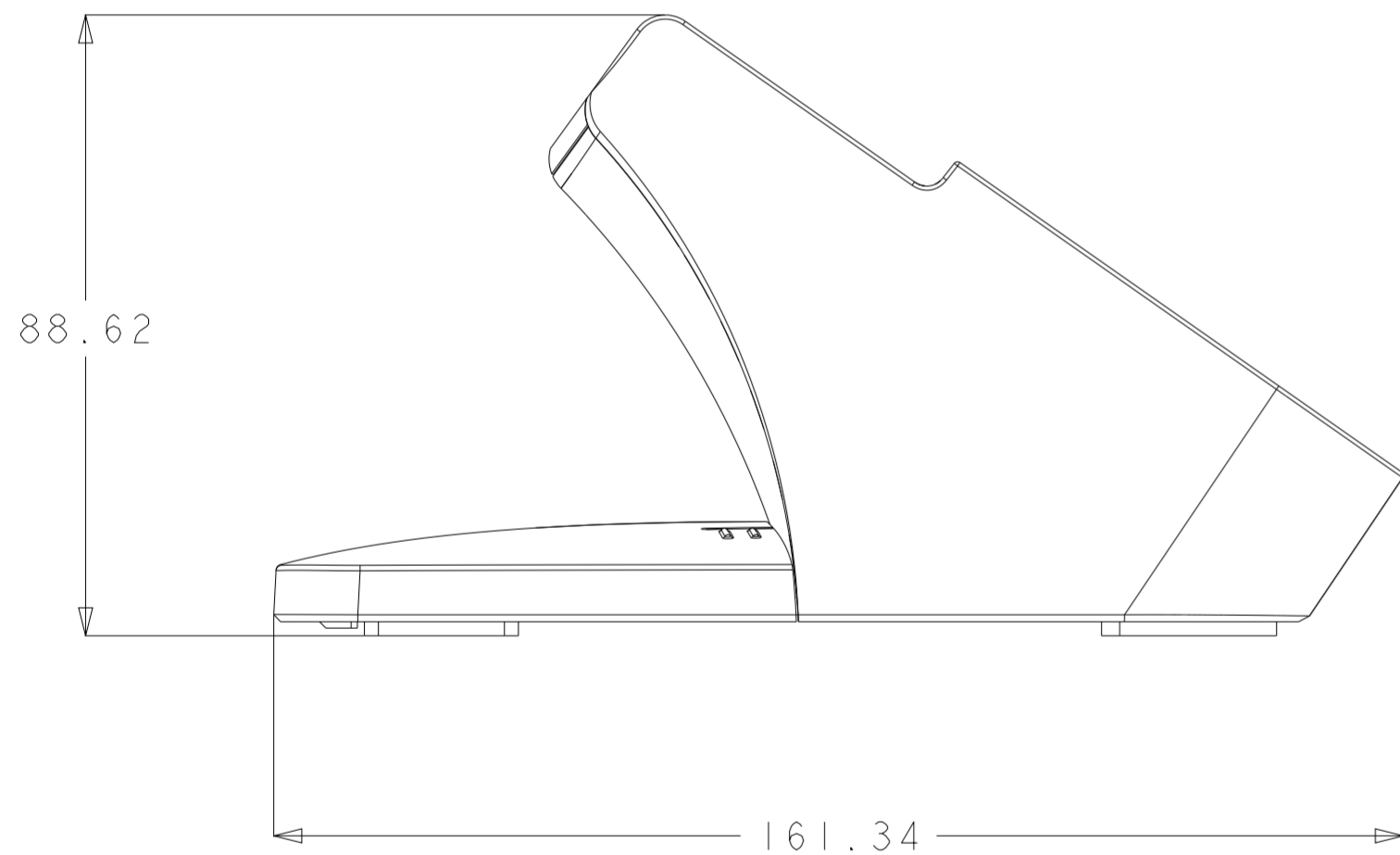
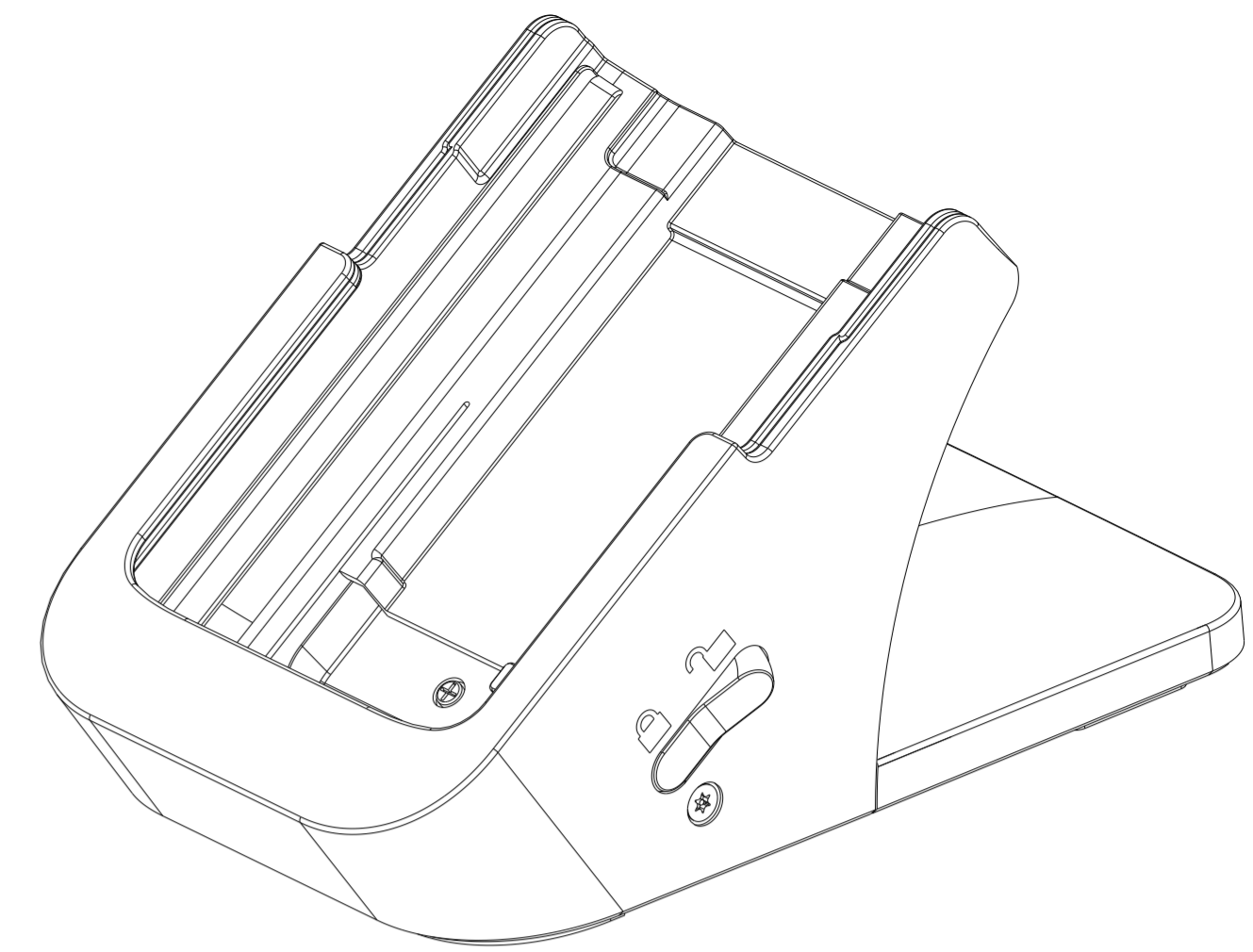


<POGO VERSION>



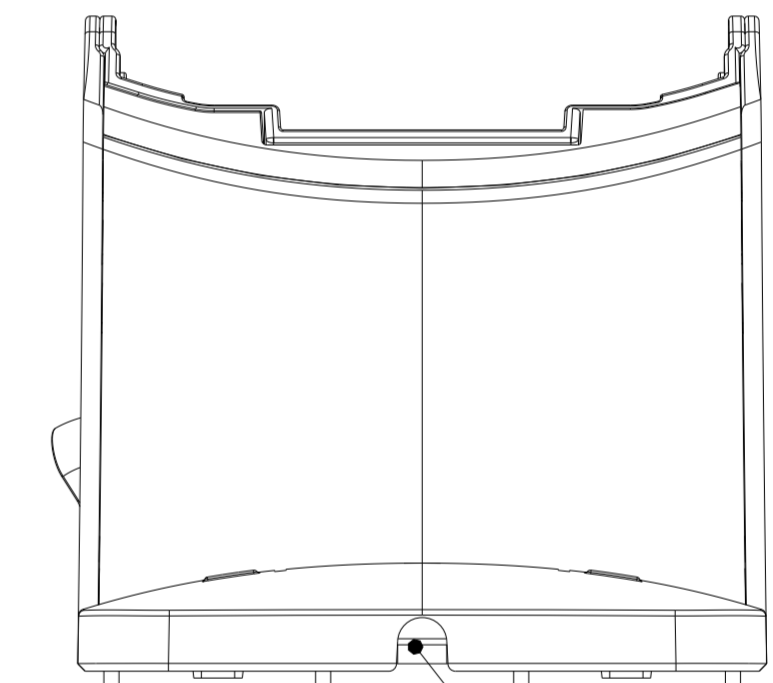
<USBC VERSION>

USBC FOR M5I CONNECTION

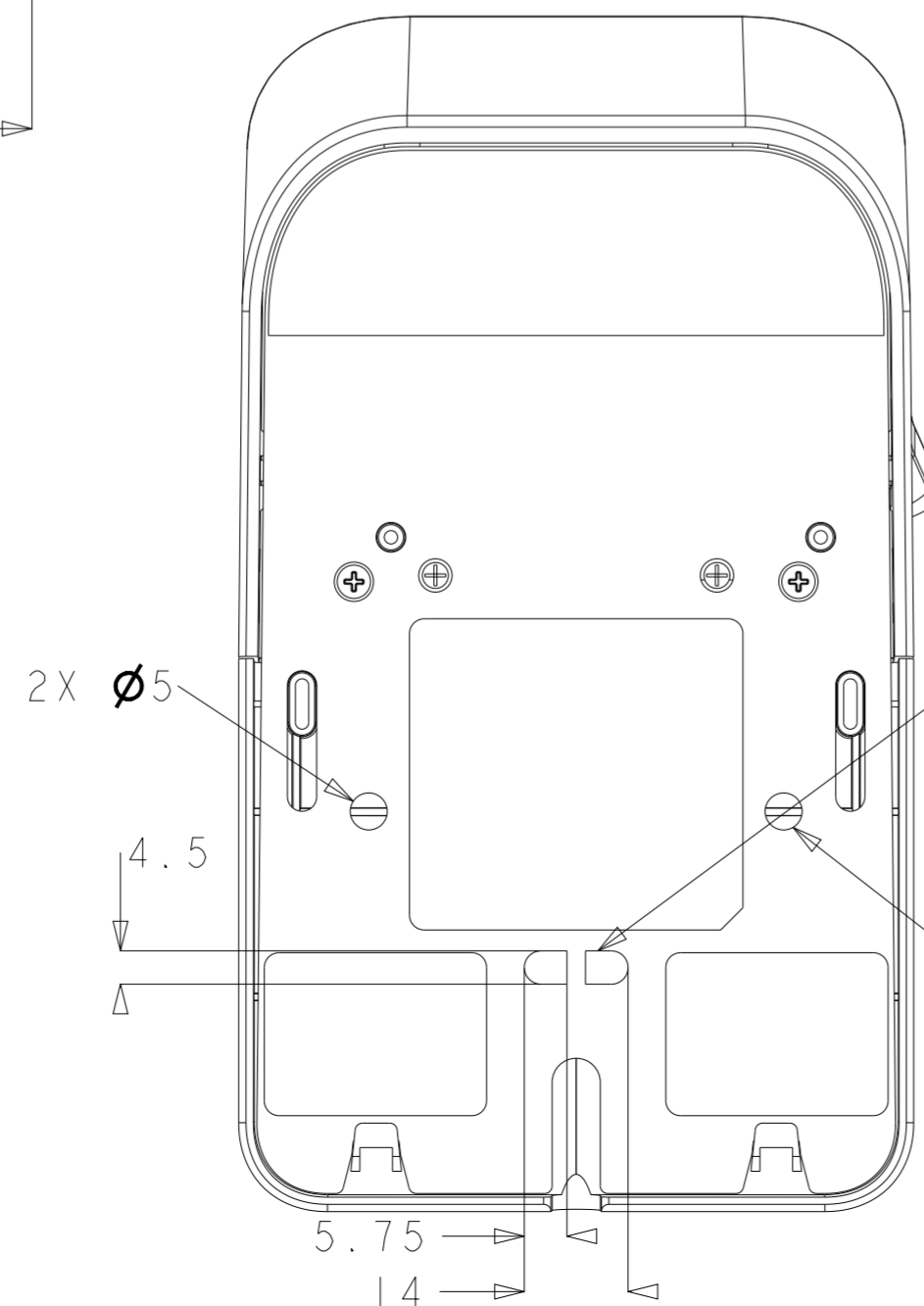


SECURE SCREW: FIX BUTTON AS LOCK POSITION

LOCK & UNLOCK BUTTON: M5I+HANDSTRAP, OTHERWISE IT IS NO SUPPORT



FOR USBC CALBE OUT



FOR ZIP TO FIX USBC CABLE

2X HOLES TO SUPPORT TABLE MOUNTING AS REMOVE THE CABLE COVER

DIMENSIONS ARE IN MILLIMETERS

SHEET 8 OF 8

elo

MS603008
DATE: 10.04.2024
REV: A