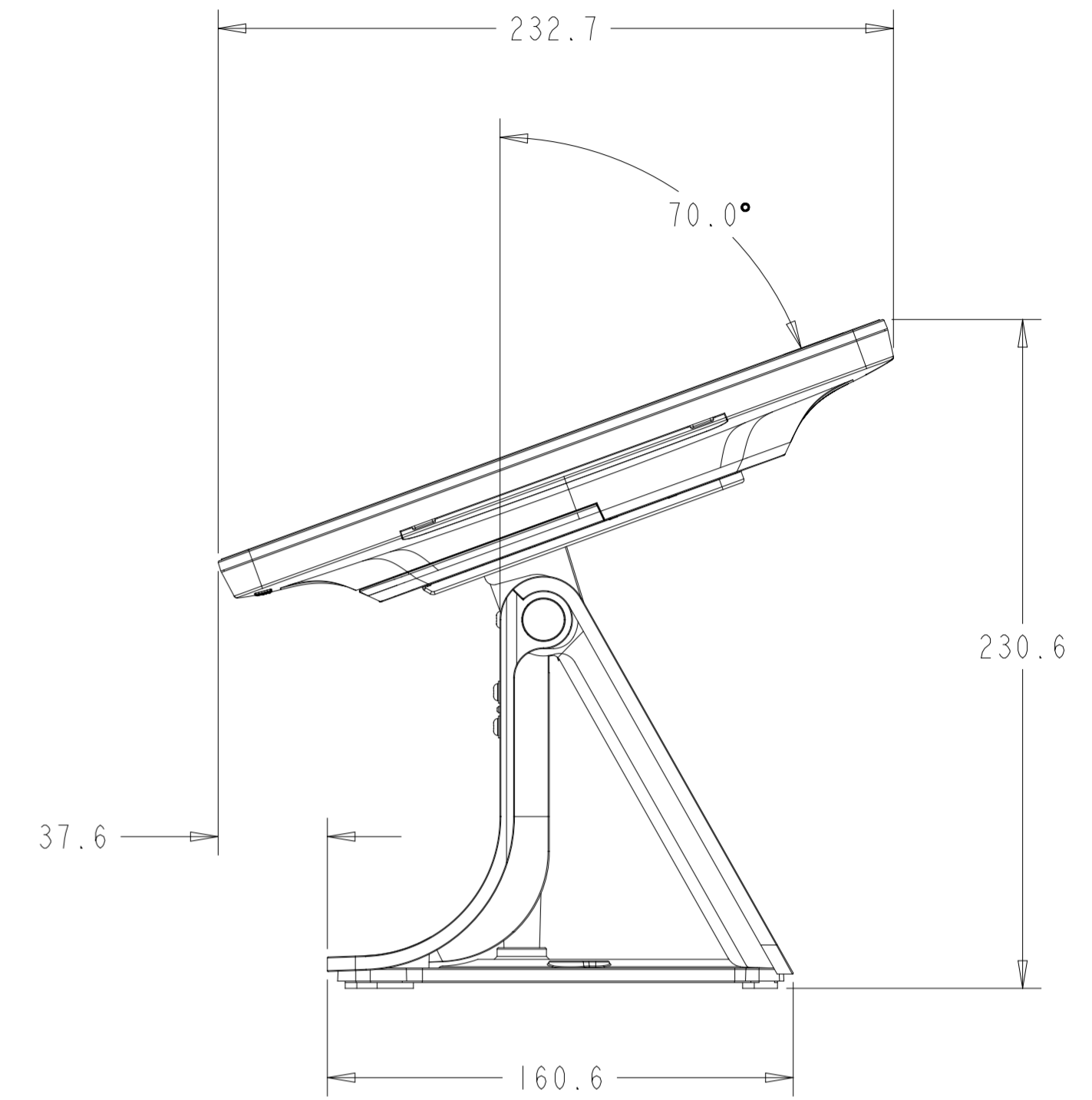
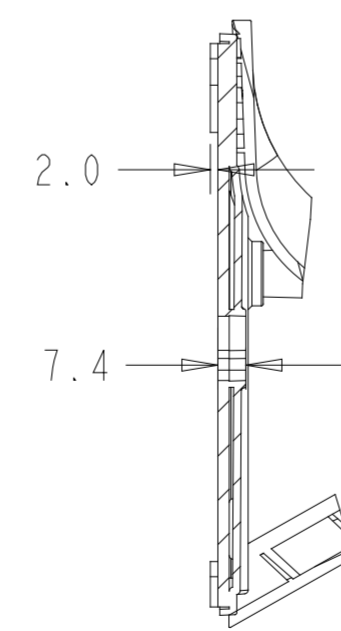
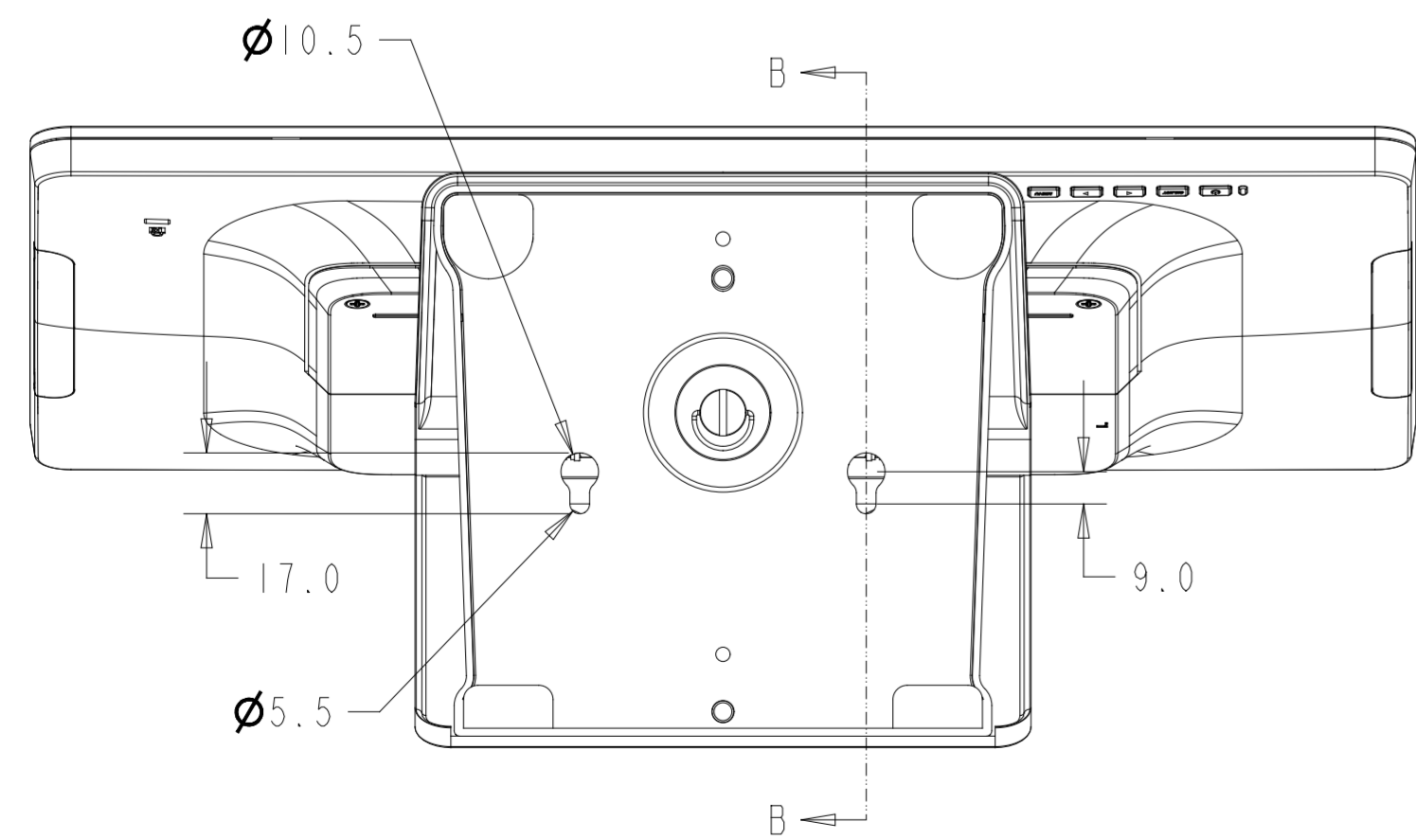


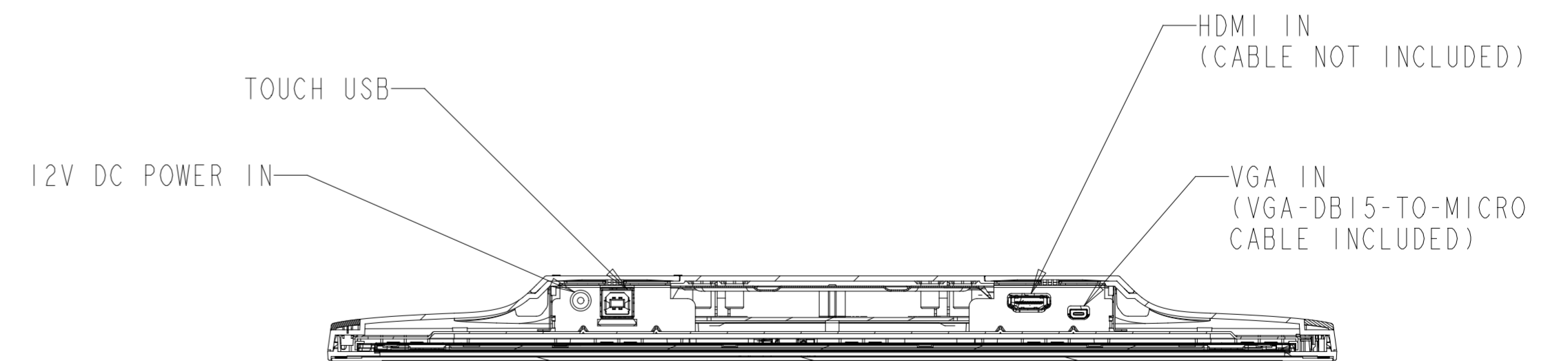
20° TILT POSITION



70° TILT POSITION



SECTION B-B



UNDER CABLE COVER
SECTION A-A

