

After powering on the Elo I-Series AIO, please choose a set up method. To set up your device with EloView, select the “Enroll with Eloview” option. This will take you to a “Connect to Wi-Fi” page to set up your wireless network if no Ethernet is connected.

8 Add device to EloView®

To add your device to your EloView account, go to the EloView web portal at secure.eloview.com. After logging in, go to the ‘Devices’ page, then click the ‘add device’ button. Enter the device serial number and a name for the device. Click ‘done’.

Your device is now linked to your EloView account and you can assign content to play on the device. If the device is connected via Ethernet the device will automatically load content and settings. Visit www.eloview.com for details.



EU Battery Regulation

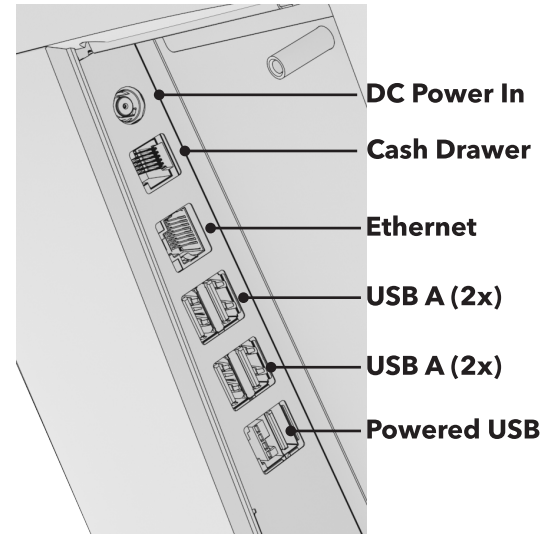
This symbol on the battery(ies) or on the packaging indicates that the battery(ies) provided with this product should not be treated as household waste. Instead, please separate the battery(ies) from other types of waste and recycle them through your local recycling system to protect the environment and health. The chemical symbol for lead (Pb) is added under this symbol if the battery(ies) contains more than 0.004% lead. Additionally, the chemical symbol for cadmium (Cd) is added under this symbol if the battery(ies) contains more than 0.002% cadmium.

For more detailed information about the recycling of these batteries, please contact your local authority or the shop where you purchased the product or batteries.

Contents

- Elo Pay Z30 'Tap to Pay' (1)
- 1.8m US Power Cable
- 1.8m EU Power Cable
- 150W DC Power Supply
- Tie-wrap (2)
- Stand Mounting Bracket (1)
- Mounting Bracket Screw (1)

I/O Connections



Learn more about Elo at EloTouch.com

America
Tel +1 408 597 8000
EloSales.NA@elotouch.com

Europe (EMEA)
Tel +32 16 930 136
EMEA.sales@elotouch.com

Asia Pacific
Tel +86 (21) 3329 1385
EloAsia@elotouch.com

The information in this document is subject to change without notice. Elo Touch Solutions, Inc. and its Affiliates (collectively “Elo”) makes no representations or warranties with respect to the contents herein, and specifically disclaims any implied warranties of merchantability or fitness for a particular purpose. Elo reserves the right to revise this publication and to make changes from time to time in the content hereof without obligation of Elo to notify any person of such revisions or changes.

No part of this publication may be reproduced, transmitted, transcribed, stored in a retrieval system, or translated into any language or computer language, in any form or by any means, including, but not limited to, electronic, magnetic, optical, chemical, manual, or otherwise without prior written permission of Elo Touch Solutions, Inc.

Elo and the Elo logo are trademarks of Elo Touch Solutions, Inc., registered in many jurisdictions worldwide.

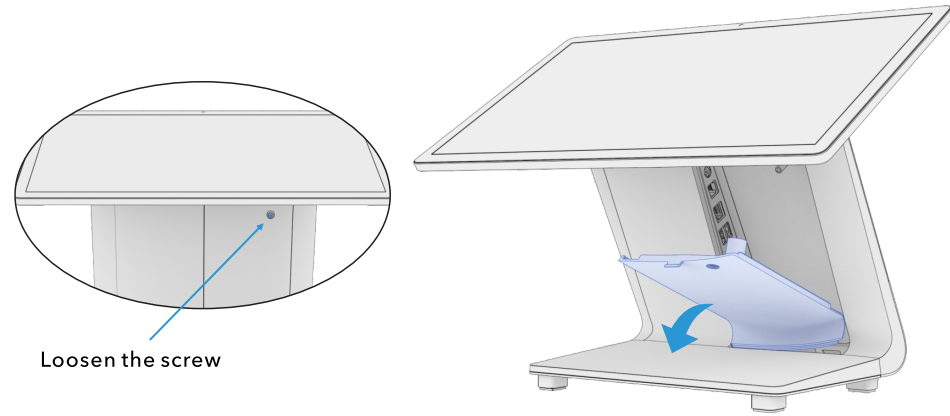


Quick Installation Guide

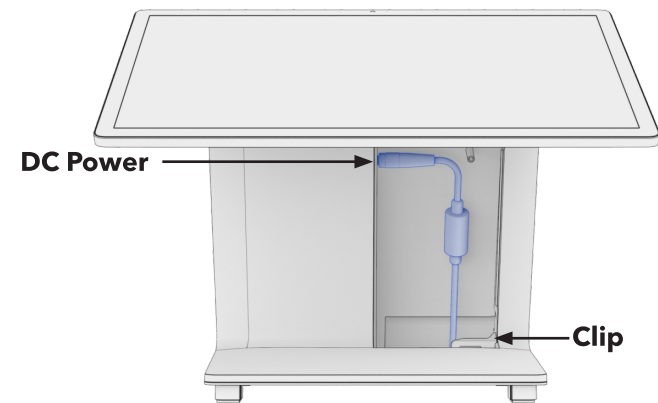
Elo Pay Z30 'Tap to Pay'

Go to www.elotouch.com/support to download user manual.

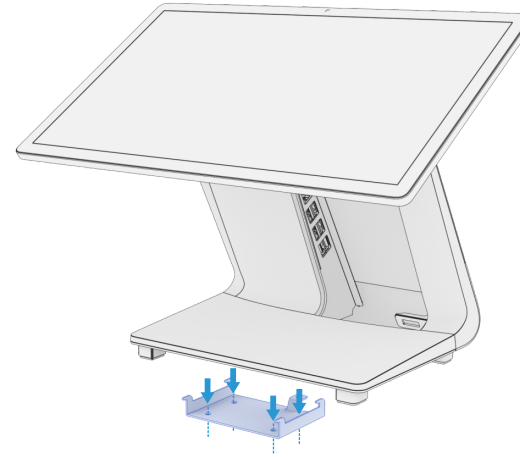
- 1** Loosen the screw and remove the cable cover door on the base to access the I/O connections.



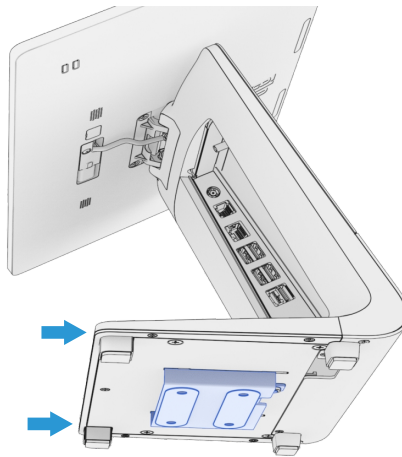
- 2** Route the DC power cable through the hole in the bottom of the stand and connect it as shown. Connect other I/O cables as needed (see back page). Make sure all cables route behind the plastic clip at the bottom.



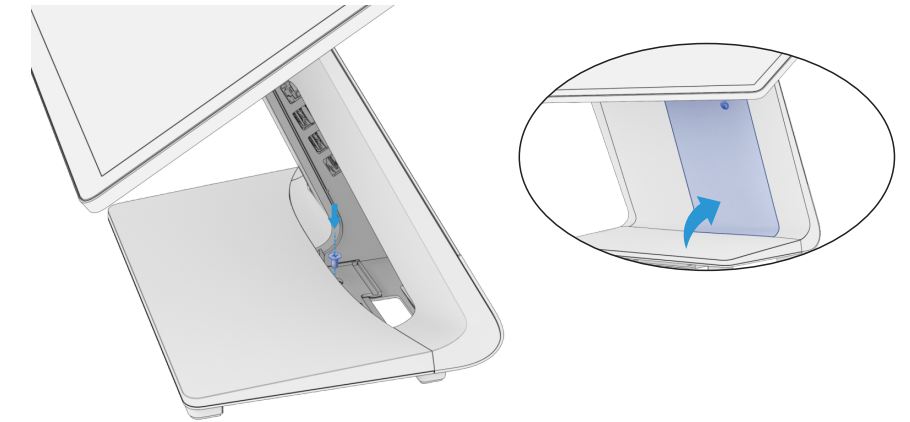
- 3** Mount the system to a table (optional). Skip to step 6 if not mounting to a table. Secure the mounting bracket to the table using appropriate screw type and length. Elo suggests M4 or #10 screw diameter. Alternately, use the pre-attached VHB to attach the bracket to the table.



- 4** Lower the system onto the bracket and slide it back, ensuring the bracket hooks engage with the slots on the bottom of the system.



- 5** Secure the system to the bracket using the screw included in the accessory box. Then re-install the cable cover door of the base.



- 6** Power on the system when installation is complete.

