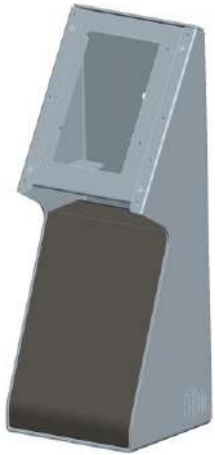




E796783 ELO-STAND-SELF-SERVICE-15-22-COUNTERTOP



Head Assembly
Qty. 1



Countertop Base
Qty. 1



Display Bracket, Android
Qty. 1



USB Hub
Qty. 1



Display Bracket, Windows
Qty. 1

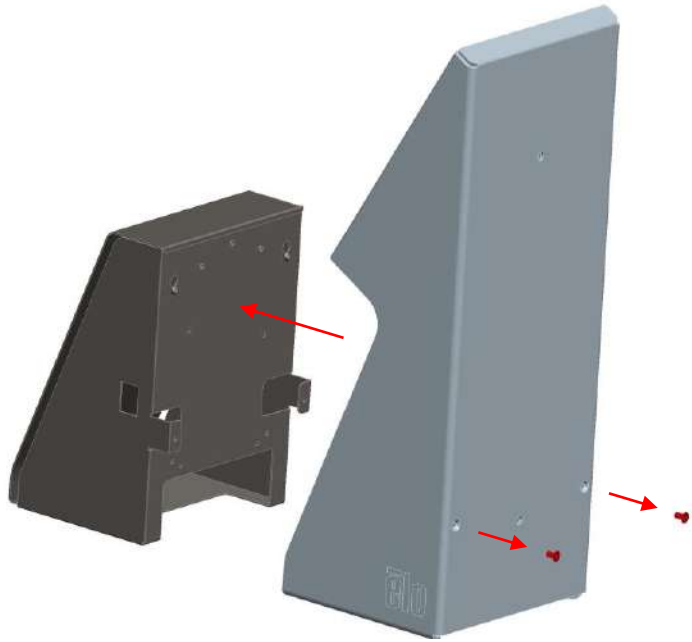


Tie-wrap
Qty. 3

Screws		
Bag A	Qty.10	SCREW, M4X8, PAN-HEAD, CROSS-RECESS
Bag B	Qty.4	SCREW, M4X8, FLAT-HEAD, CROSS-RECESS
Bag C	Qty.3	SCREW, M3X8, PAN-HEAD, CROSS-RECESS,
Bag D	Qty.4	SCREW, 3mm X8L, THREAD-FORMING, PAN-HEAD
Bag L	Qty.4	SCREW, M4X6, PAN-HEAD, CROSS-RECESS
Bag M	Qty.4	SCREW, M4X18, PAN-HEAD, CROSS-RECESS
Bag N	Qty.4	SCREW, M4X12, PAN-HEAD, CROSS-RECESS
Bag S	Qty.3	SCREW, M4X5, PAN-HEAD, CROSS-RECESS

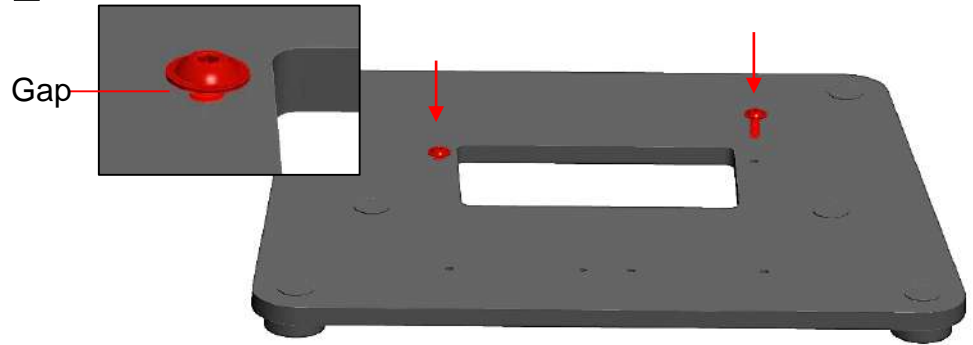
Panel Hardware	
Qty.2	SCREW, M6X14, PAN-HEAD, CROSS-RECESS
Qty.2	BACKER BOARD SPACER
Qty.2	THUMB SCREW

1



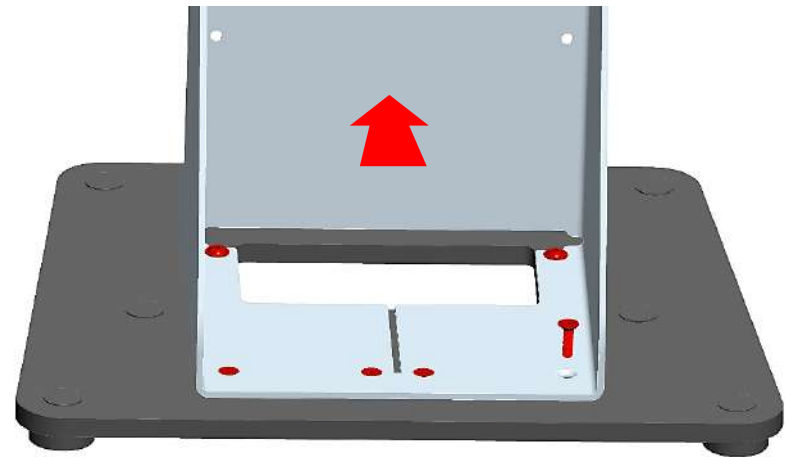
Remove and save (2) screws on rear of Head, pull out printer tray.

2



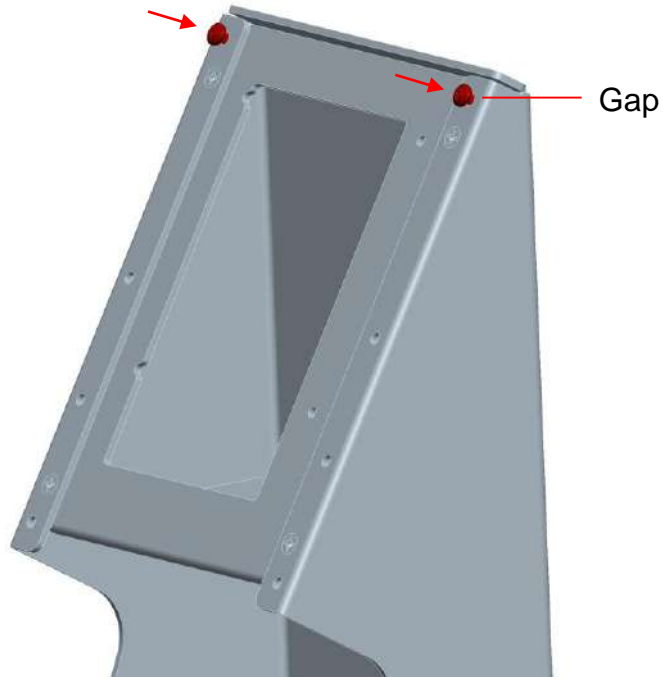
Add (2) screws from bag "A"; leave ~3mm (1/8") gap for Head.

3



Align slots on bottom rear of Head with (2) screws on base and slide on stand. Add (4) screws from bag "B". Tighten (2) previous screws at rear.

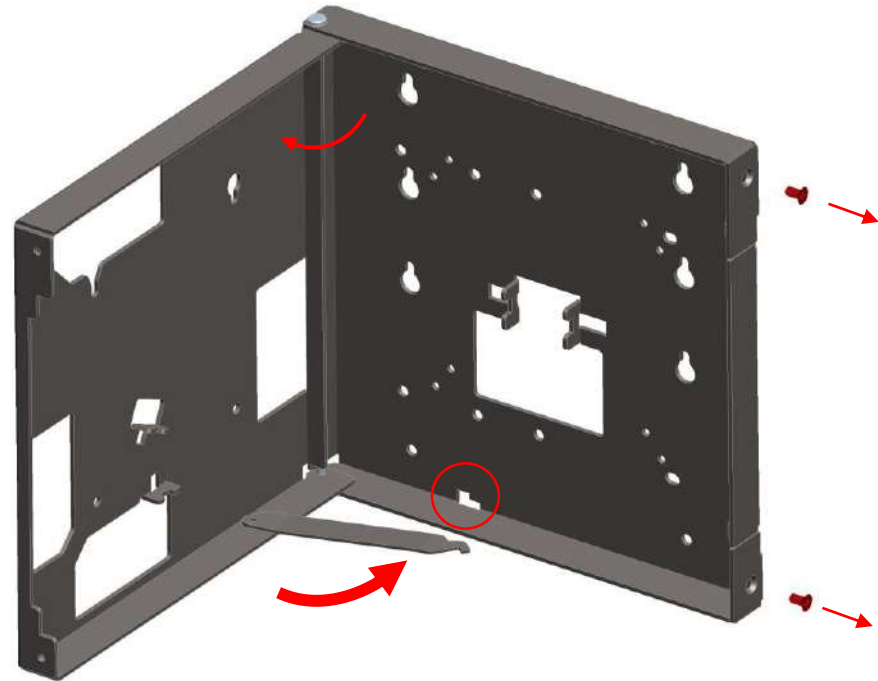
4



Add (2) screws from bag "A"; leave ~3mm (1/8") gap (for Display Bracket).

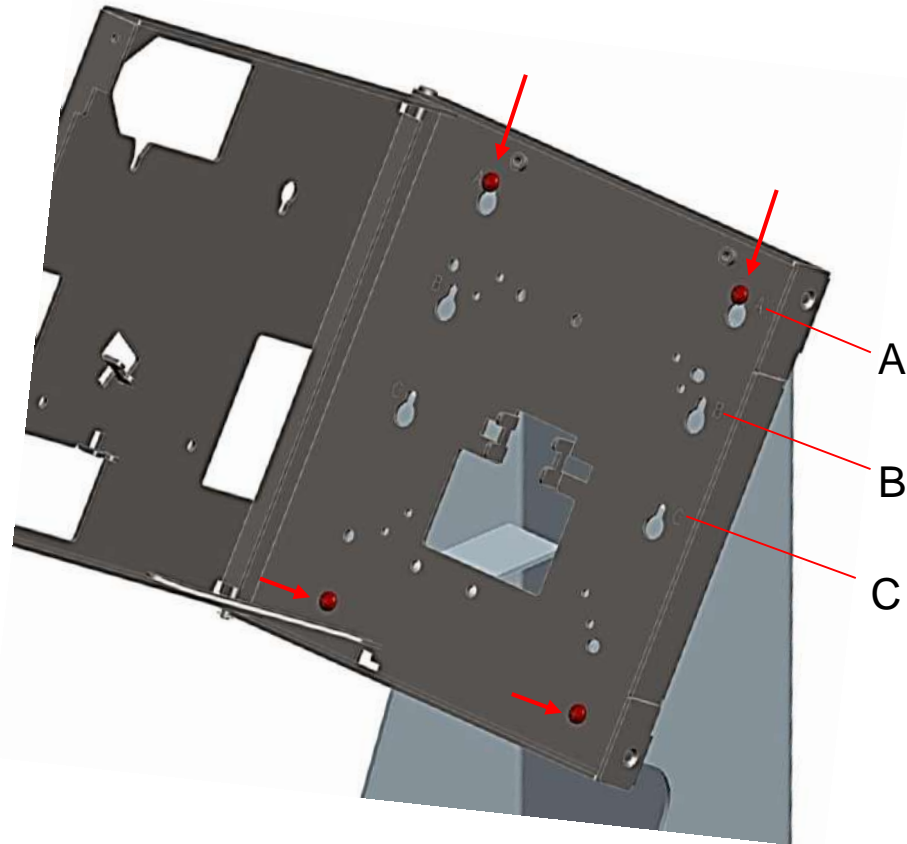
5

Choose Android or Windows Display Bracket



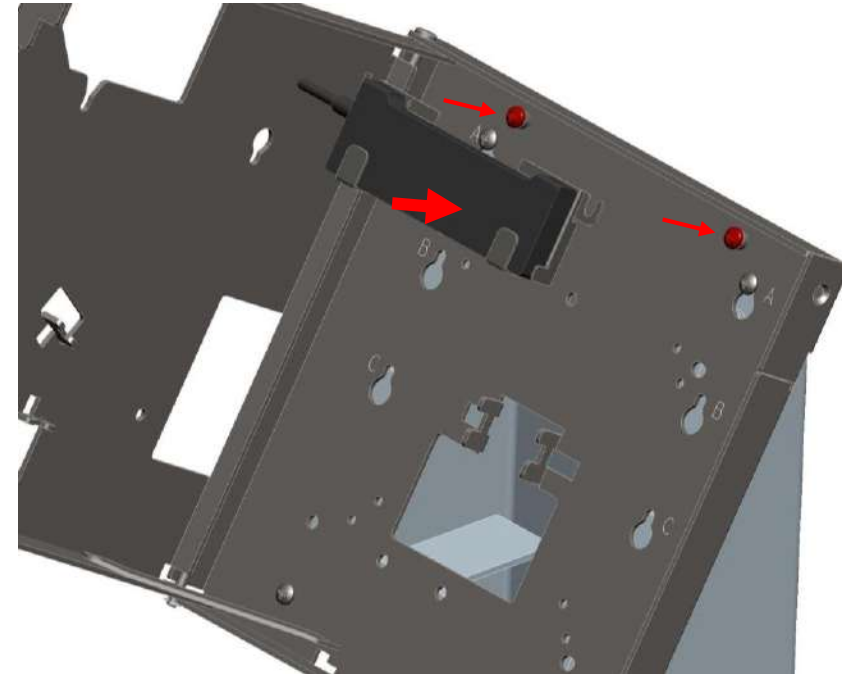
Remove and save (2) screws, open cover of Display Bracket; pivot out and fix prop.

6



Assemble Display Bracket onto Head.
 Position "A" for 15", 22" in landscape.
 Position "B" for 15" in portrait
 Position "C" for 22" in portrait
 Add (2) screws from bag "A" at bottom holes.

7



Assemble USB Hub.
 Add (2) screws from bag "S"; leave ~3mm (1/8")
 gap for USB bracket to slide on; tighten screws.

If using an EMV Cradle, follow those
 instructions before moving on.

For Android, continue to step **8**
 For Windows, continue to step **12**

8

Android Landscape
(For Portrait, go to step 10)

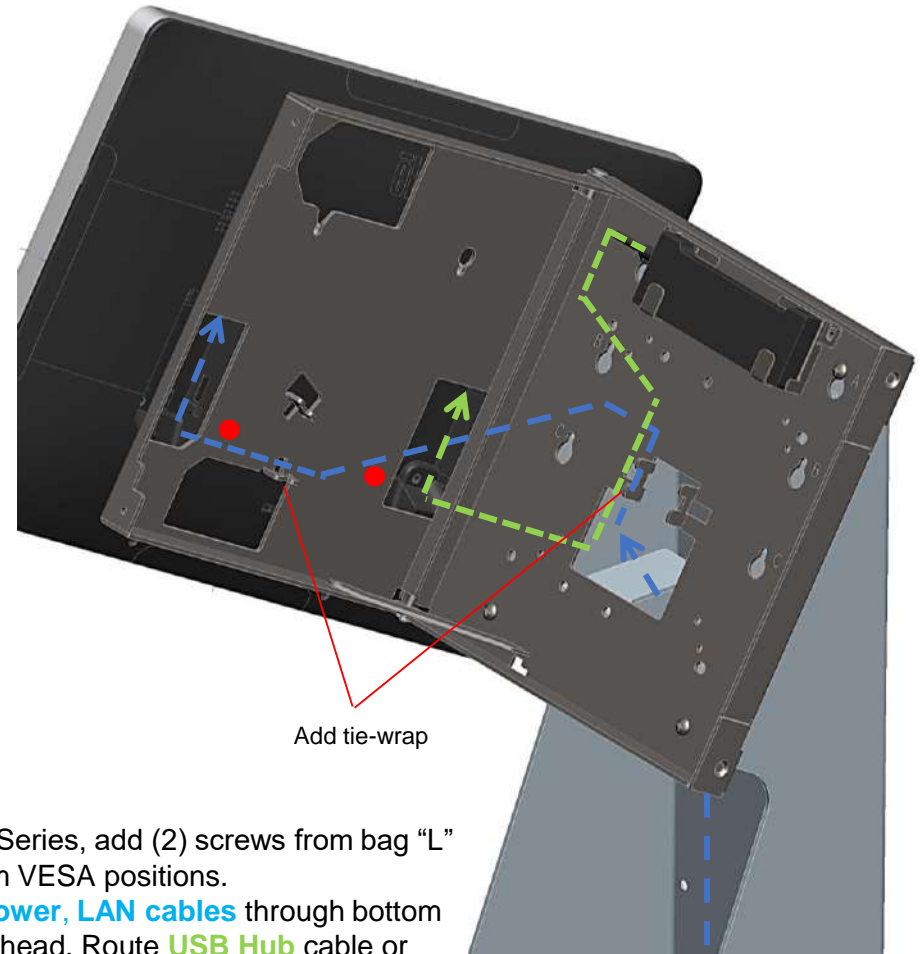
Top Landscape



↓ Cable direction

Add (2) screws from bag “L” to top VESA positions. Leave ~3mm (1/8”) gap for mounting to display bracket.
Remove cable cover(s) before mounting displays on stand.

9



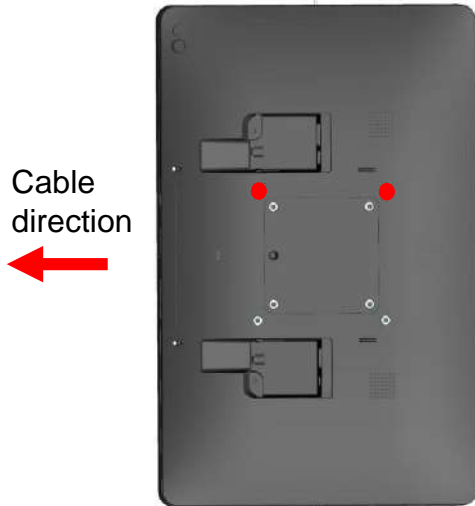
Mount I-Series, add (2) screws from bag “L” to bottom VESA positions.
Route **power, LAN cables** through bottom of stand head. Route **USB Hub** cable or other **USB** if used.

Continue to step 18

10

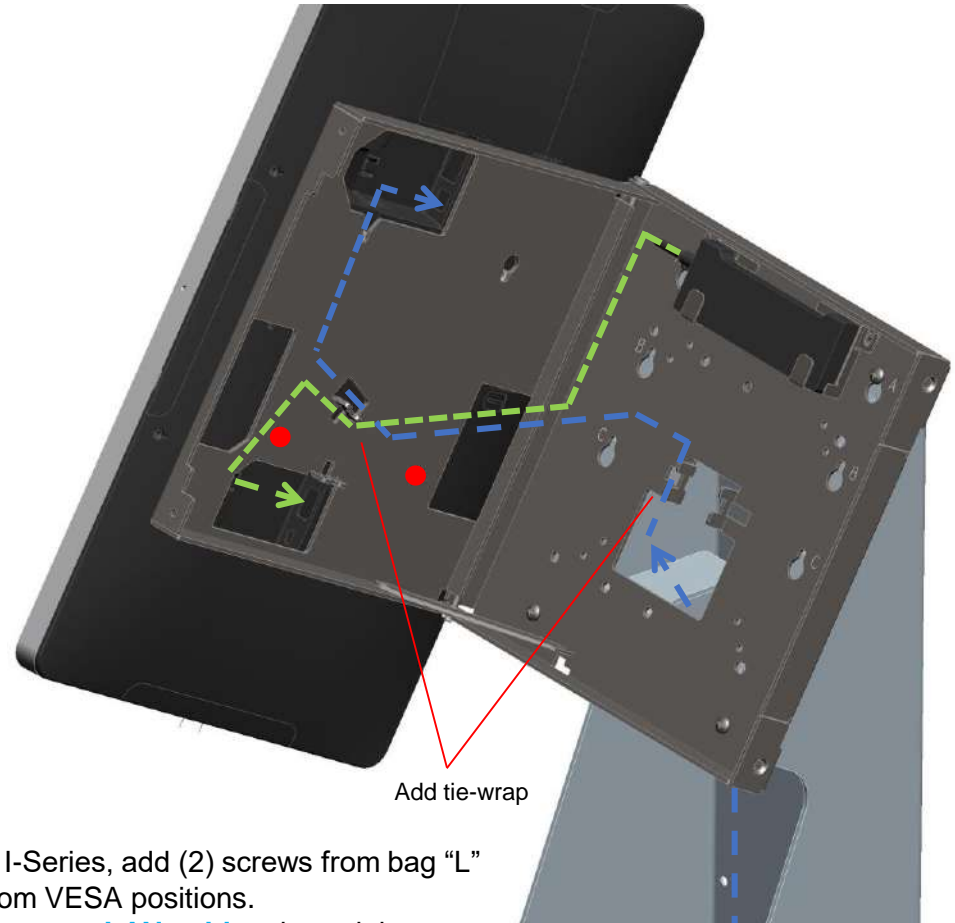
Android Portrait

Top Portrait



Add (2) screws from bag “L” to top VESA positions. Leave ~3mm (1/8”) gap for mounting to display bracket.
Remove cable cover(s) before mounting displays on stand.

11



Mount I-Series, add (2) screws from bag “L” to bottom VESA positions.
Route **power, LAN cables** through bottom of stand head. Route **USB Hub** cable or other **USB** if used.

Continue to step 18

12

Windows Landscape
(For Portrait, go to step 15)

15" Landscape



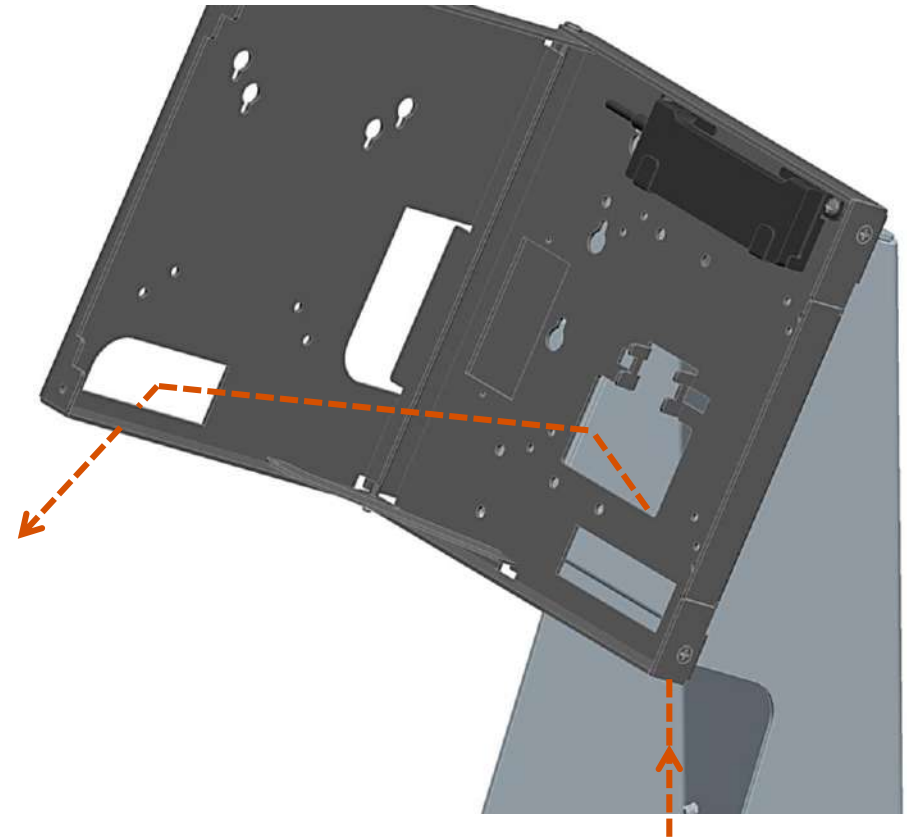
22" Landscape



15": add (2) screws from bag "M" to top 75mm VESA positions.
22": add (2) screws from bag "N" to top 75mm VESA positions.

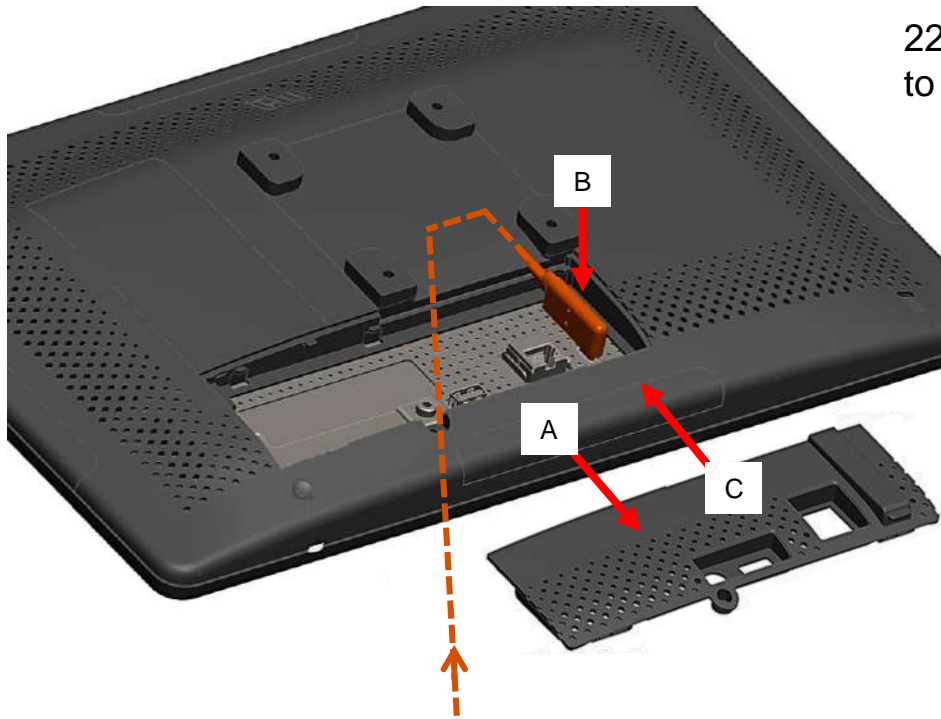
Leave ~3mm (1/8") gap for mounting to display bracket.

13



Route power cable from I-series through bottom of stand, through openings in the mount bracket as shown.

14a



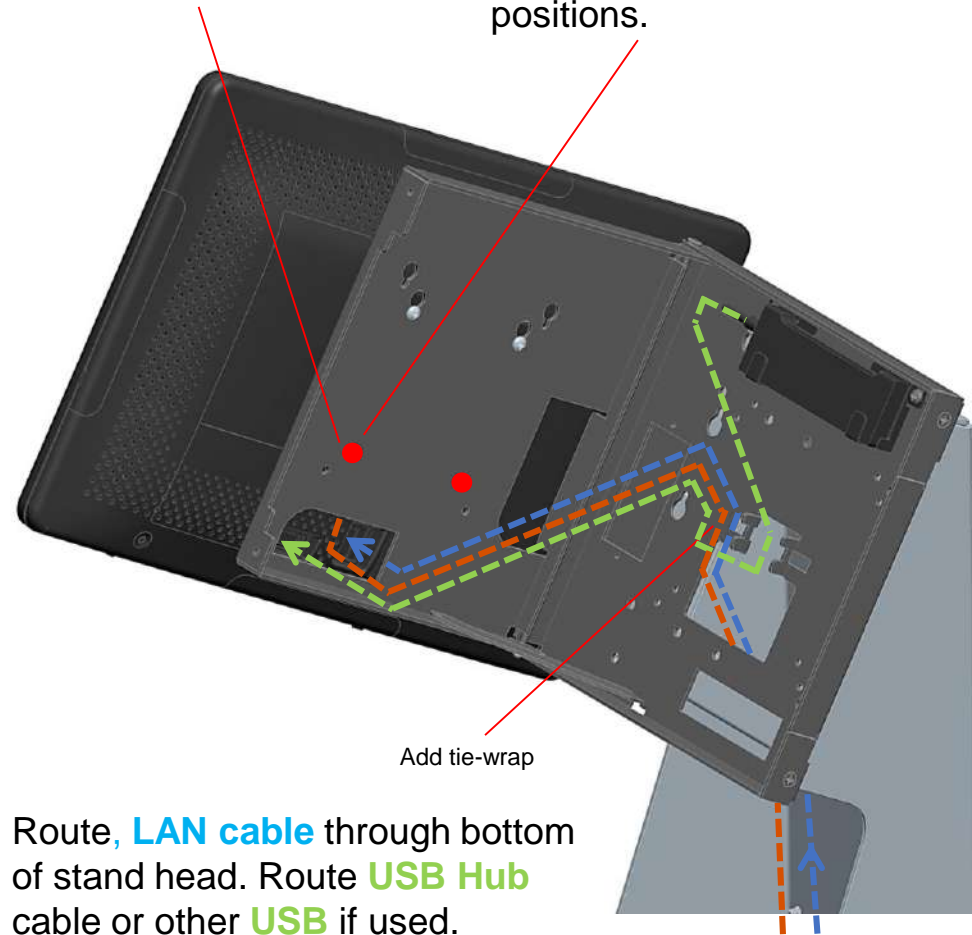
Place I-Series on surface near stand head, within reach of cable. Remove cable door (A), plug in power cable (B) and replace cable door (C) as shown.

14b

Mount I-Series, then add bottom VESA screws:

22": add (2) screws from bag "N" to bottom 75mm VESA positions.

15": add (2) screws from bag "M" to bottom 75mm VESA positions.



Route, LAN cable through bottom of stand head. Route USB Hub cable or other USB if used.

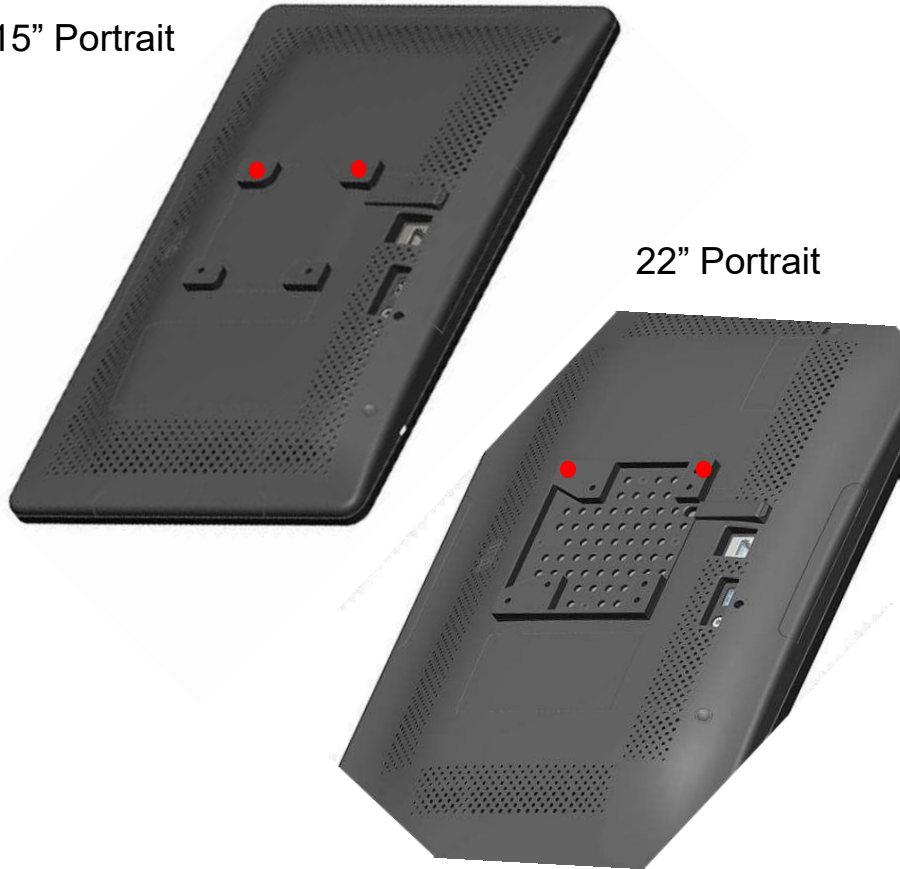
Continue to step 18

15

Windows Portrait

15" Portrait

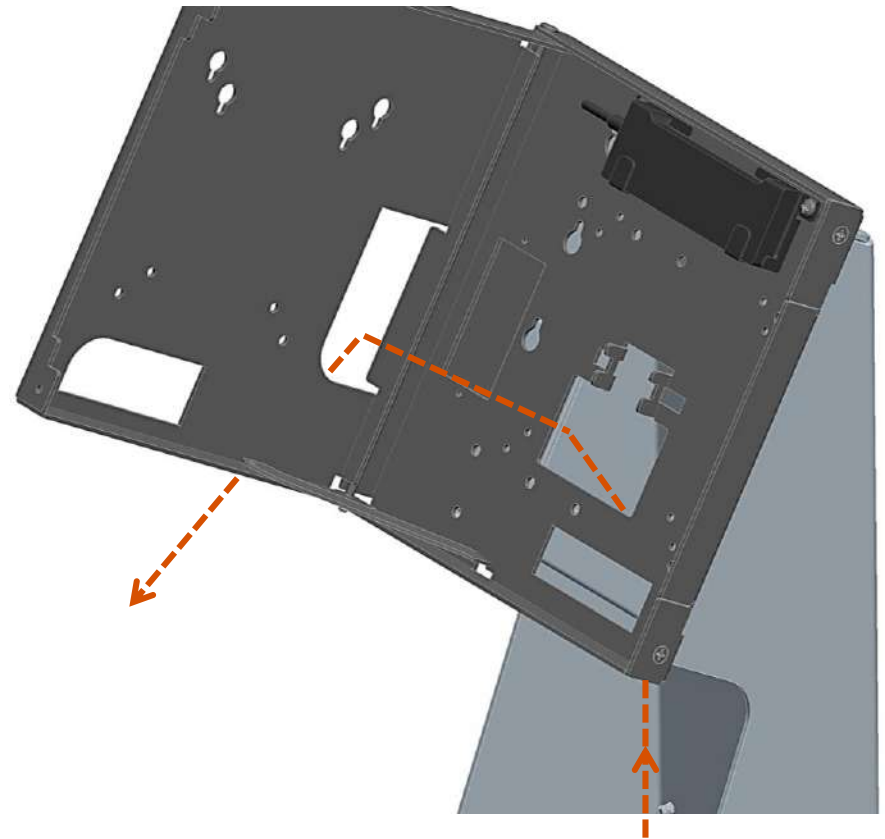
22" Portrait



15": add (2) screws from bag "M" to top 75mm VESA positions.
 22": add (2) screws from bag "N" to top 100mm VESA positions.

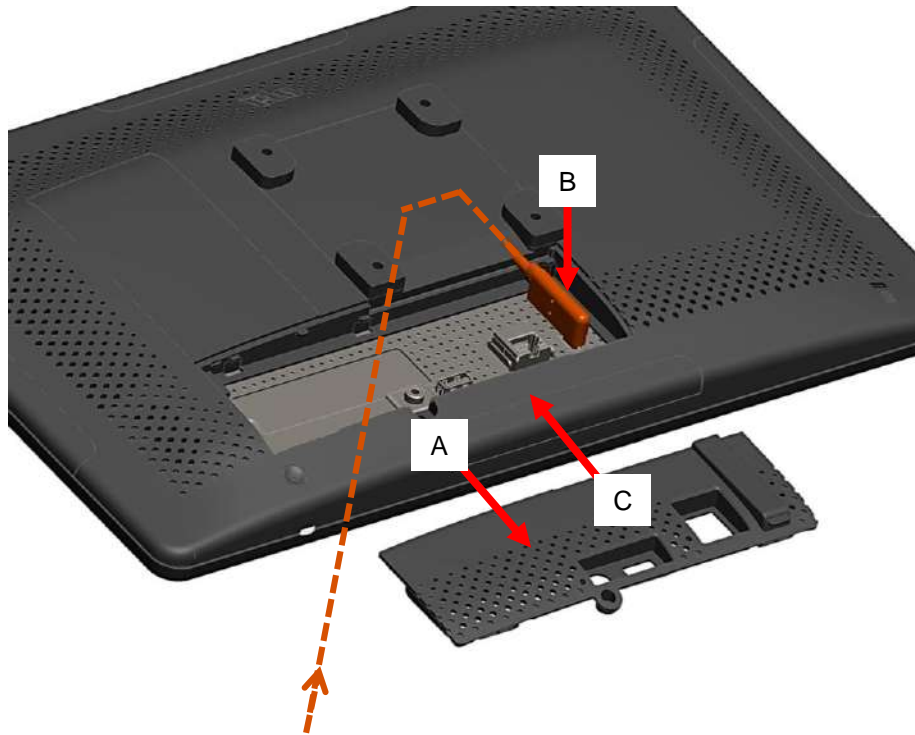
Leave ~3mm (1/8") gap for mounting to display bracket.

16



Route power cable from I-series through bottom of stand, through openings in the mount bracket as shown.

17a

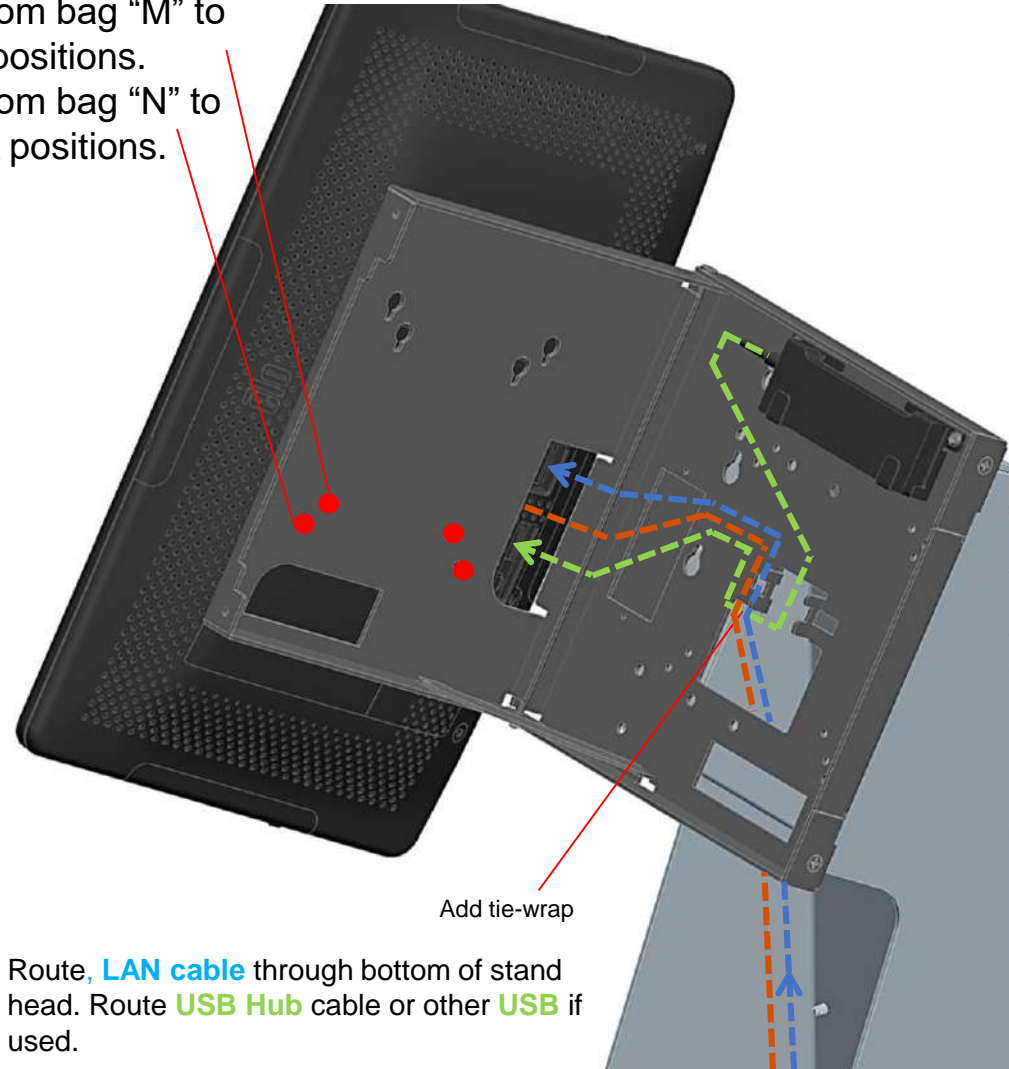


Place I-Series on surface near stand head, within reach of cable. Remove cable door (A), plug in power cable (B) and replace cable door (C) as shown.

17b

Mount I-Series, then add bottom VESA screws:

15": add (2) screws from bag "M" to bottom 75mm VESA positions.
 22": add (2) screws from bag "N" to bottom 100mm VESA positions.



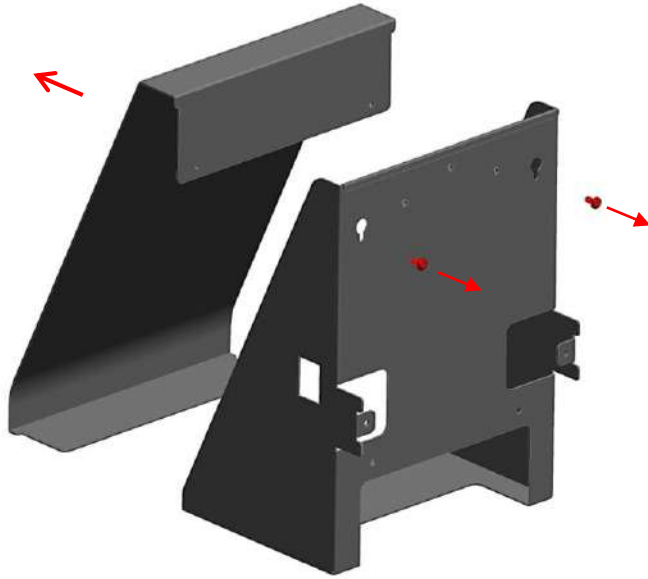
Route, LAN cable through bottom of stand head. Route USB Hub cable or other USB if used.

Add tie-wrap

Continue to step 18

18

If no printer, skip to step 23

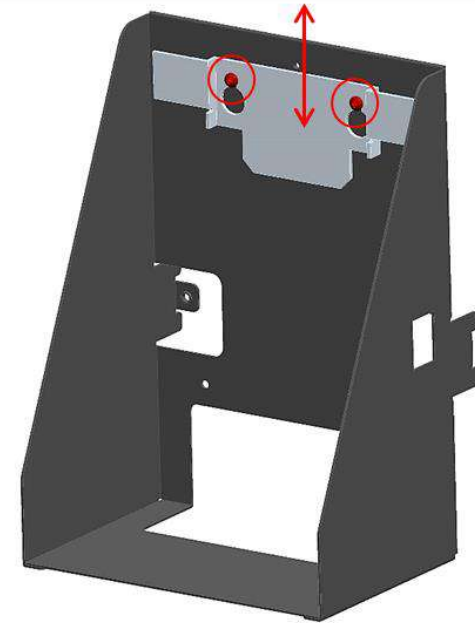


If using printer, remove cover to add printer.

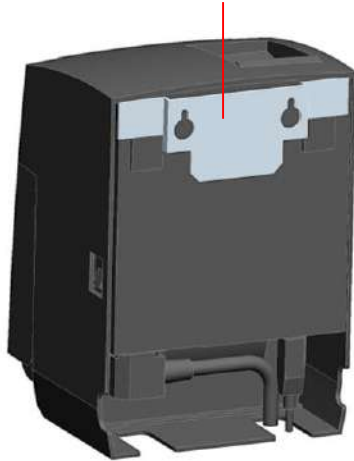
Go to step 19 for **Star** printers.
For **Epson TM-T88**, go to step 22.

19

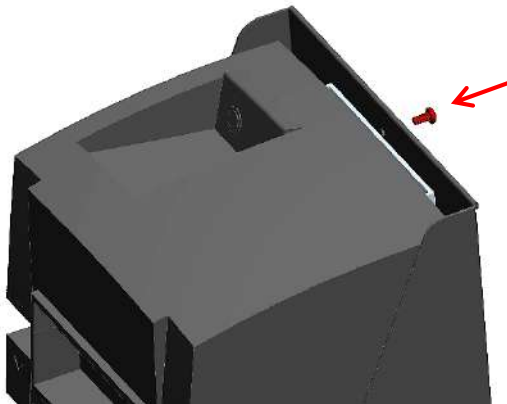
Add (2) screws from bag "C" to printer tray; use Star printer bracket to set depth of screws than remove Star bracket.



20 Add Star printer bracket to printer; refer to Star instructions.



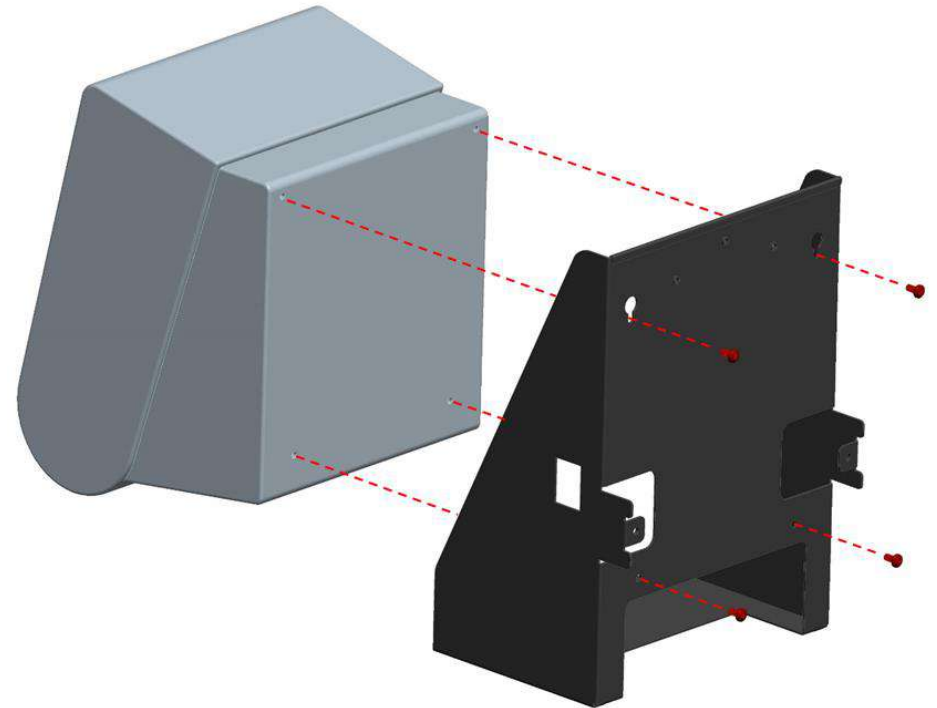
21 Add Star printer with bracket to printer tray. Secure printer to printer tray using 3rd screw from bag “C”.



Continue to step **23**

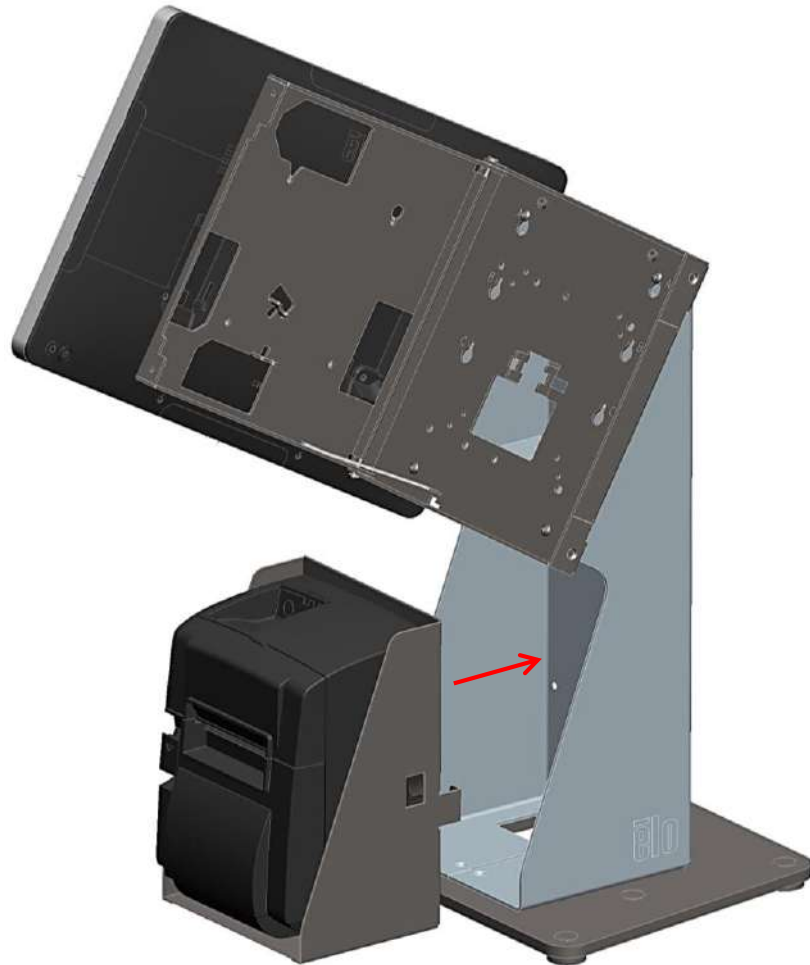
22 Add (4) screws from bag “D” to attach printer to the tray.

Epson TM-T88



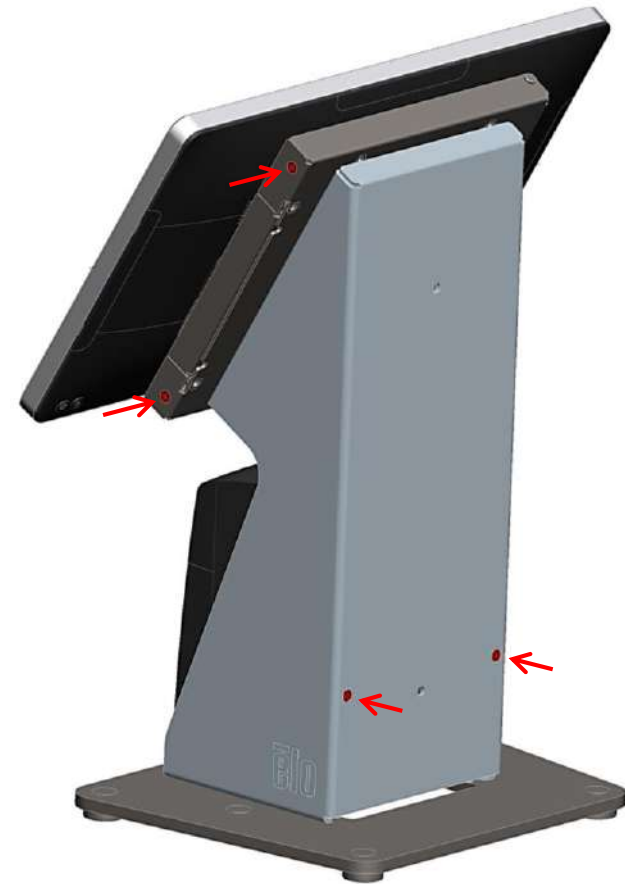
Continue to step **23**

23



Route cables from/to printer as needed, slide in printer tray assembly (or printer tray with cover if no printer).

24

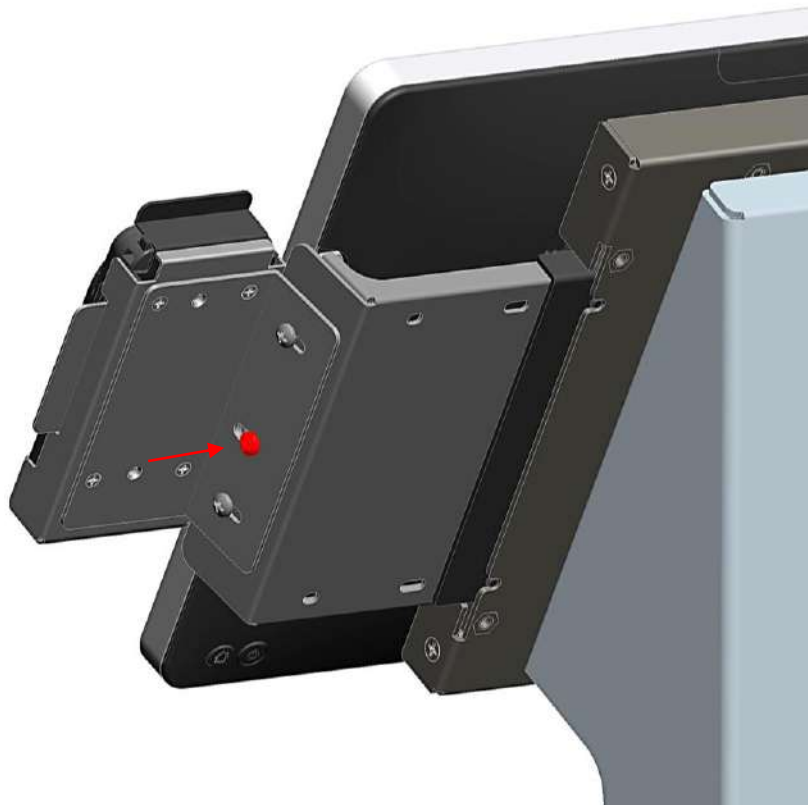


Close Display Bracket and add (2) screws saved from step 5. Secure printer assembly with (2) screws saved from step 1.

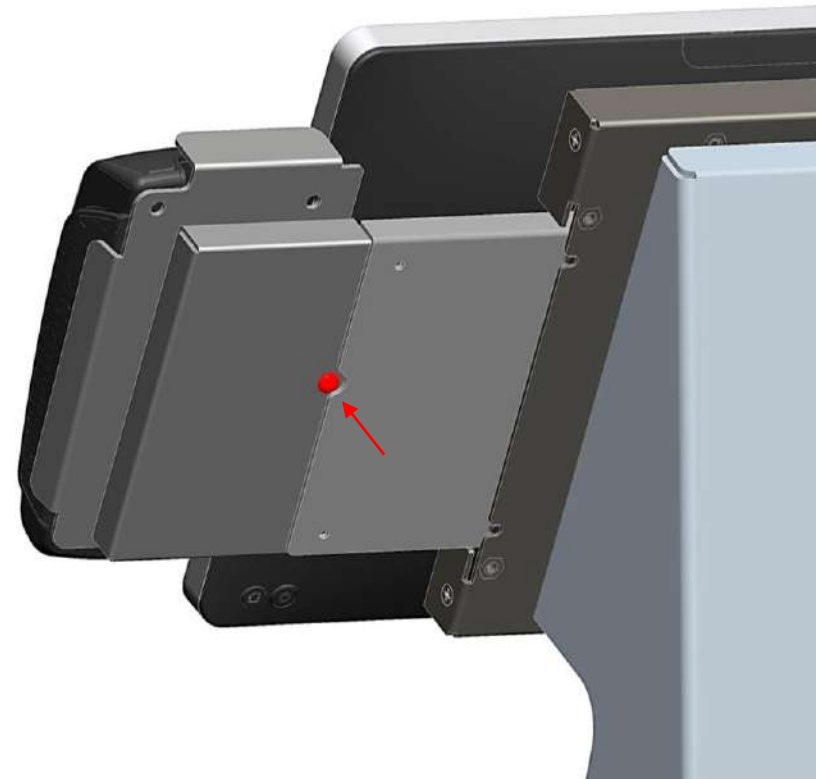
25

If installing an EMV Cradle, finish by adding
(1) screw from bag “S”.

EMV-SERV-SERV-ING-RP757



EMV-SERV-SERV-15-22-ING-IPP320/350/315
EMV-SERV-SERV-15-22-VF-MX915-ING-ISC250



For more information, go to www.elotouch.com/support, or call the office nearest you.

Elo reserves the right to change or update, without notice, any information contained herein; to change, without notice, the design, construction, materials, processing or specifications of any products; and to discontinue or limit production or distribution of any products. Elo and the Elo logo are either trademarks or registered trademarks of Elo Touch Solutions, Inc. All other trademarks are the property of their respective owners.

© 2019 Elo Touch Solutions, Inc. All rights reserved.



E796965 ELO-STAND-SELF-SERVICE-15-22-FLOOR-TOP

E797162 ELO-STAND-SELF-SERVICE-15-22-FLOOR-BASE



Floor-Head Assembly
Qty. 1



Display Bracket, Android
Qty. 1



Display Bracket, Windows
Qty. 1



Straps
Qty. 3



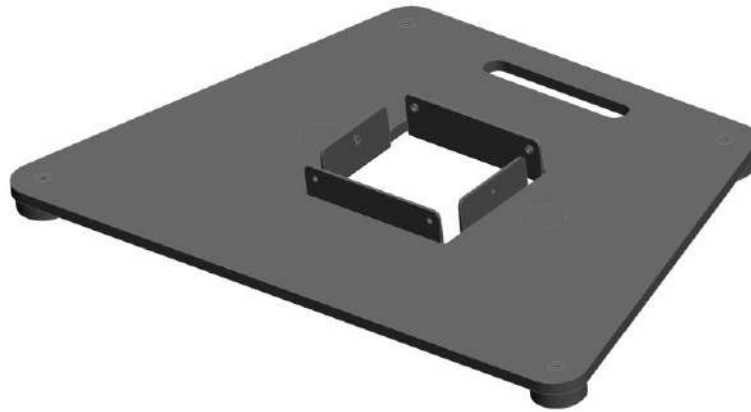
USB Hub
Qty. 1



Tie-wrap
Qty. 3

Screws		
Bag A	Qty.10	SCREW, M4X8, PAN-HEAD, CROSS-RECESS
Bag B	Qty.4	SCREW, M4X8, FLAT-HEAD, CROSS-RECESS
Bag C	Qty.3	SCREW, M3X8, PAN-HEAD, CROSS-RECESS
Bag D	Qty.4	SCREW, 3mm X8L, THREAD-FORMING, PAN-HEAD
Bag K	Qty.6	SCREW, M5X10, FLAT-HEAD, CROSS-RECESS
Bag L	Qty.4	SCREW, M4X6, PAN-HEAD, CROSS-RECESS
Bag M	Qty.4	SCREW, M4X18, PAN-HEAD, CROSS-RECESS
Bag N	Qty.4	SCREW, M4X12, PAN-HEAD, CROSS-RECESS
Bag S	Qty.3	SCREW, M4X5, PAN-HEAD, CROSS-RECESS

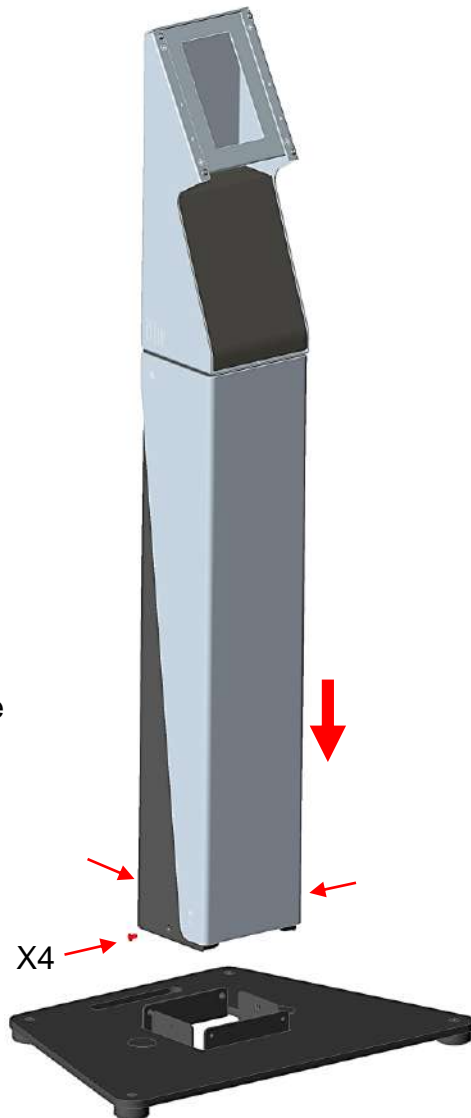
Panel Hardware	
Qty.2	SCREW, M6X14, PAN-HEAD, CROSS-RECESS
Qty.2	BACKER BOARD SPACER
Qty.2	THUMB SCREW



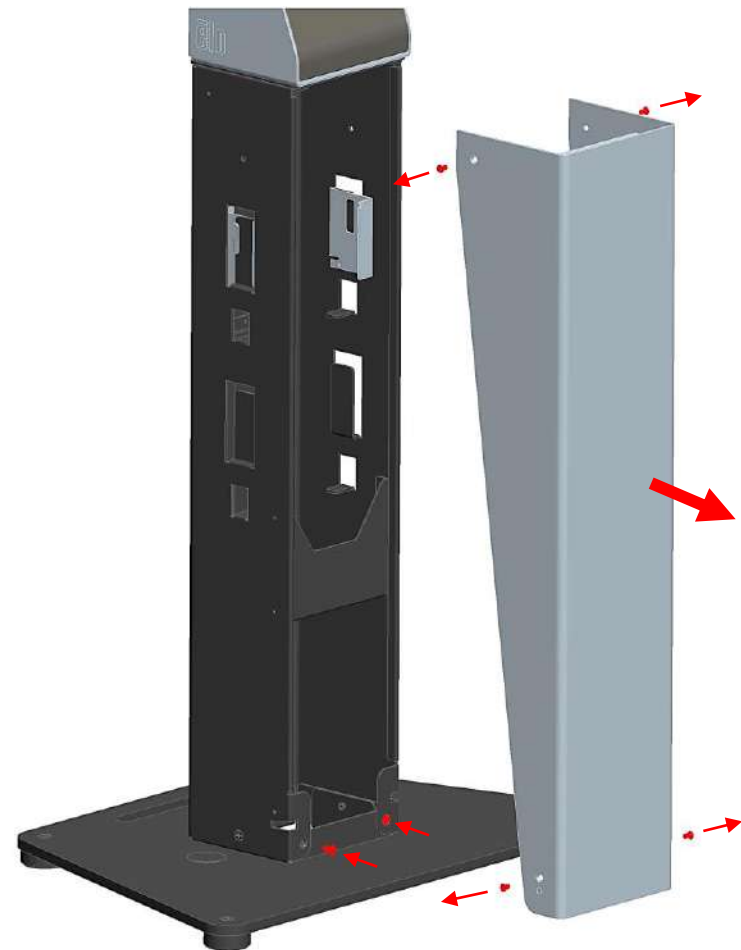
Floor Base
Qty. 1

1

Assemble tower to base plate using (4) screws from bag "K".

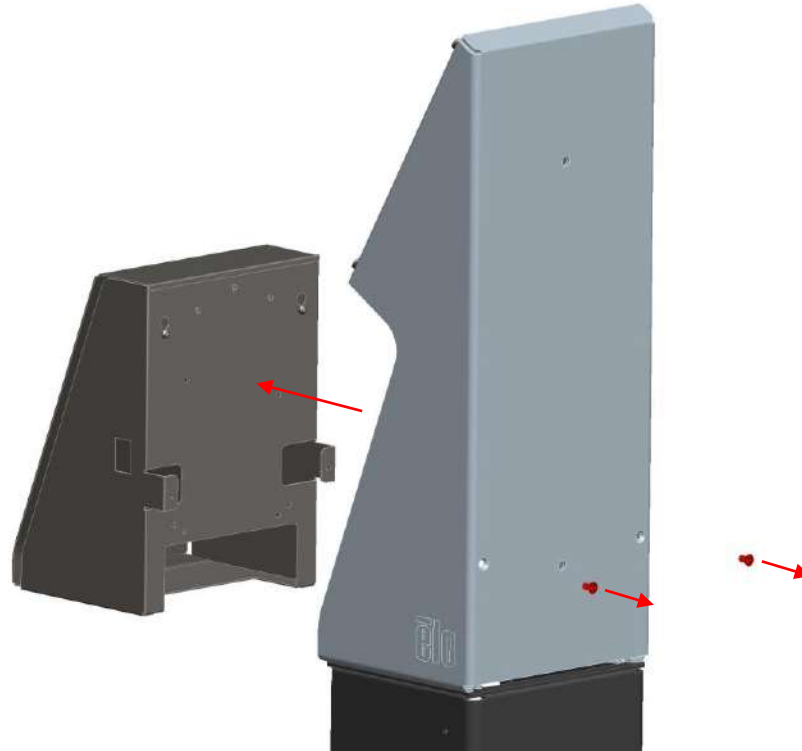


2



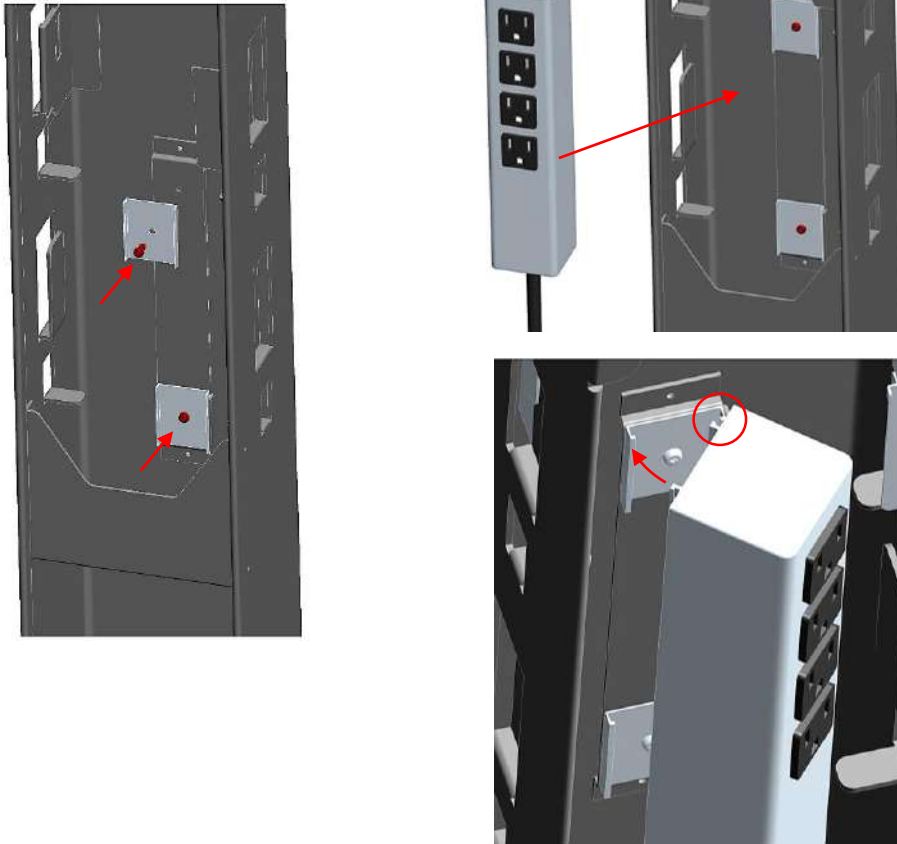
Remove and save the (4) screws on the left and right of the stand front cover. Pull off the silver cover and set aside. Add (2) remaining screws from bag "K" to bottom front of stand.

3



Remove and save (2) screws on rear of Head, pull out printer tray.

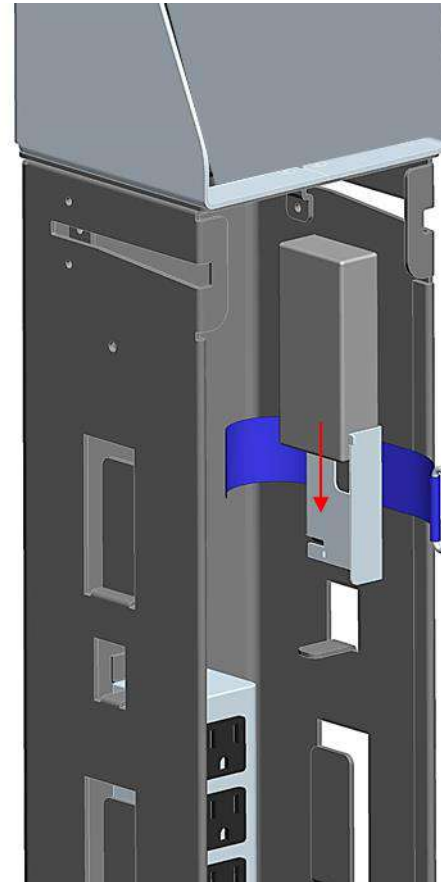
4



(Power strip shown available from McMaster-Carr, item #7361K43)

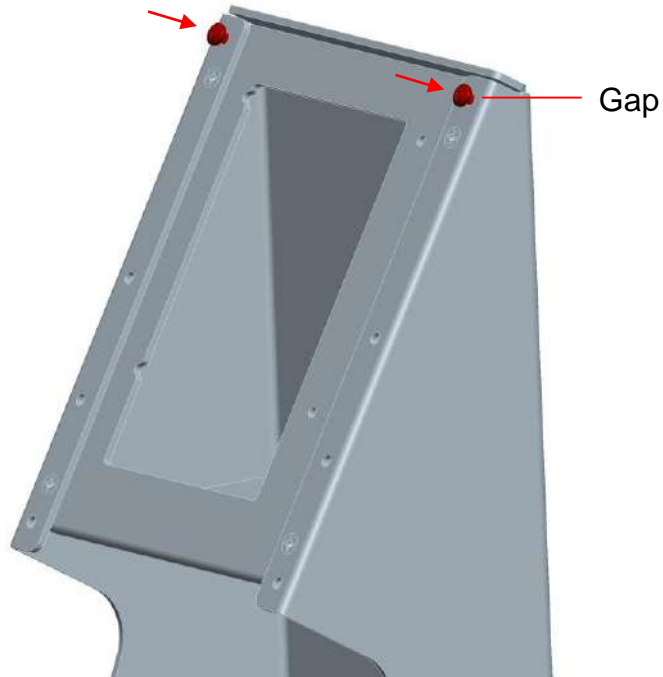
Add power strip brackets (supplied with power strip) using (2) screws from bag "L". Hook one side of power strip onto brackets then push to snap down.

5



Add power bricks into tower using provided straps.

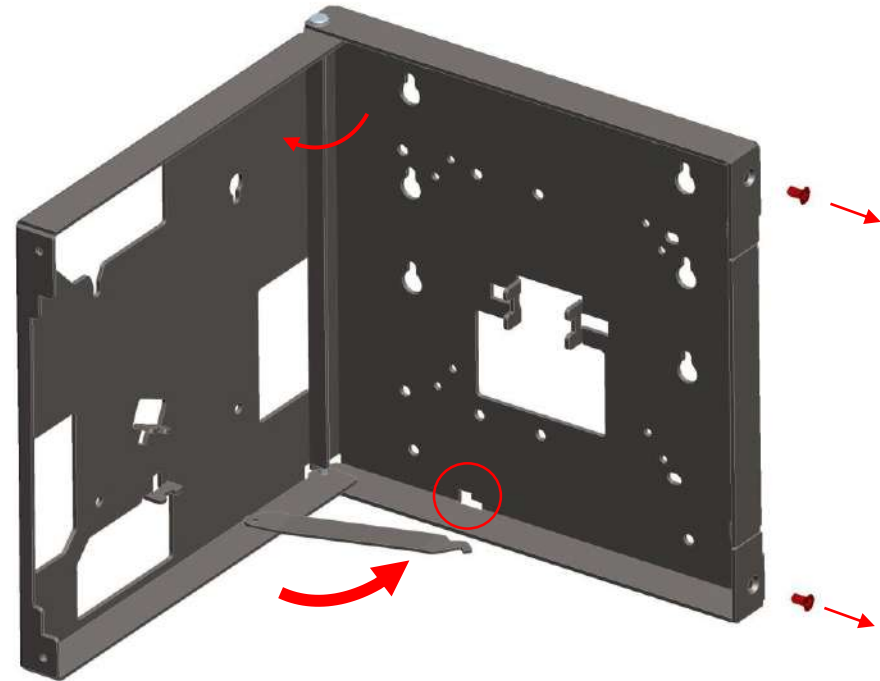
6



Add (2) screws from bag "A"; leave ~3mm (1/8") gap (for Display Bracket).

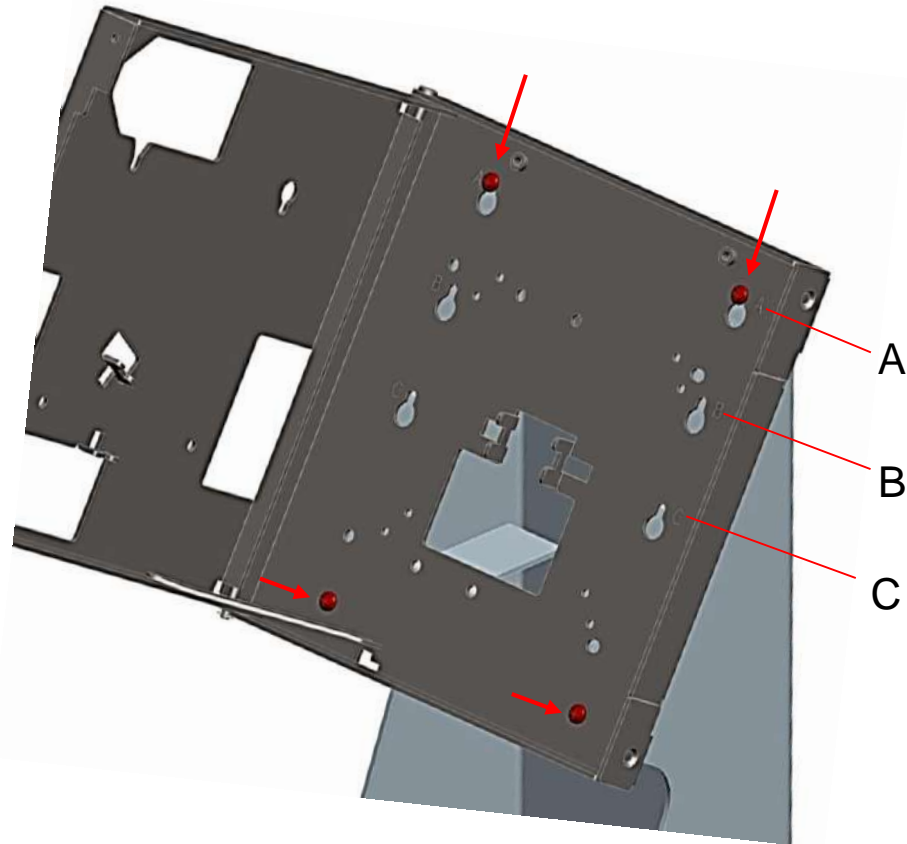
7

Choose Android or Windows Display Bracket



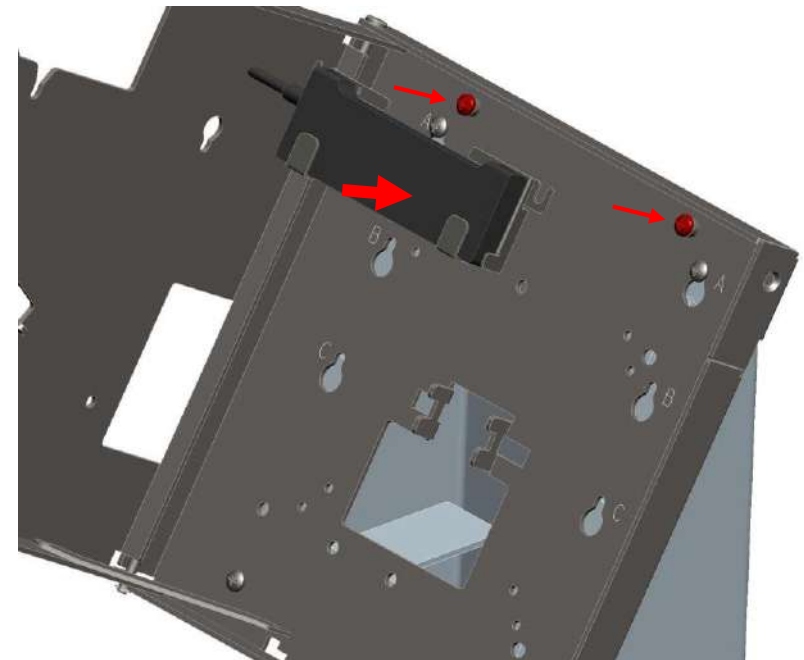
Remove and save (2) screws, open cover of Display Bracket; pivot out and fix prop.

8



Assemble Display Bracket onto Head.
 Position "A" for 15", 22" in landscape.
 Position "B" for 15" in portrait
 Position "C" for 22" in portrait
 Add (2) screws from bag "A" at bottom holes.

9



Assemble USB Hub.
 Add (2) screws from bag "S"; leave ~3mm (1/8")
 gap for USB bracket to slide on; tighten screws.

If using an EMV Cradle, follow those
 instructions before moving on.

For Android, continue to step **10**
 For Windows, continue to step **14**

10

Android Landscape
(For Portrait, go to step 12)

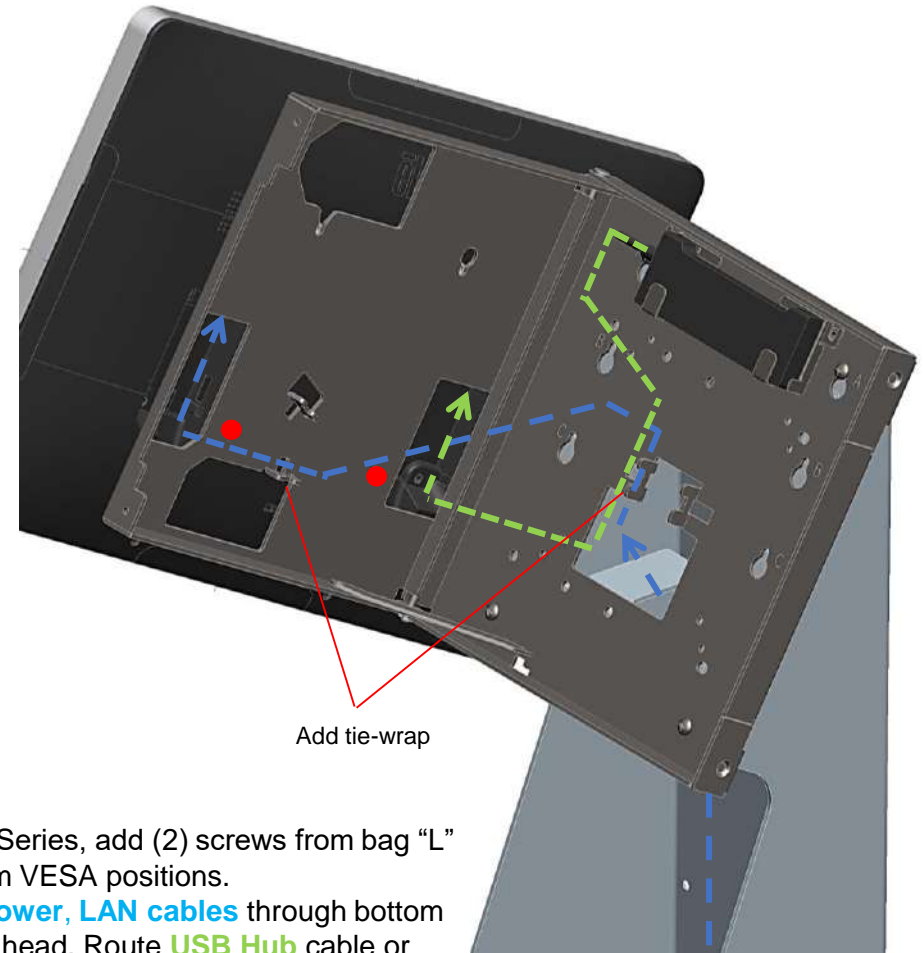
Top Landscape



↓ Cable direction

Add (2) screws from bag “L” to top VESA positions. Leave ~3mm (1/8”) gap for mounting to display bracket.
Remove cable cover(s) before mounting displays on stand.

11



Add tie-wrap

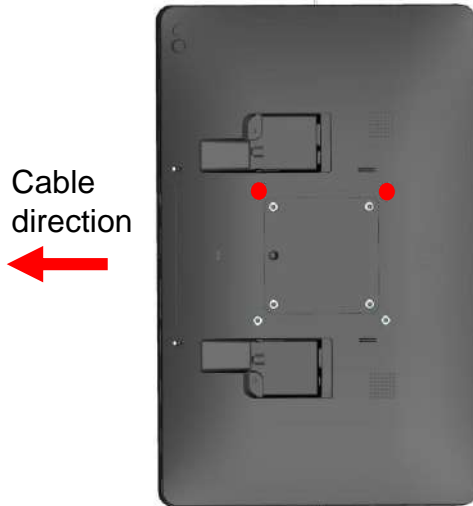
Mount i-Series, add (2) screws from bag “L” to bottom VESA positions.
Route **power, LAN cables** through bottom of stand head. Route **USB Hub** cable or other **USB** if used.

Continue to step 20

12

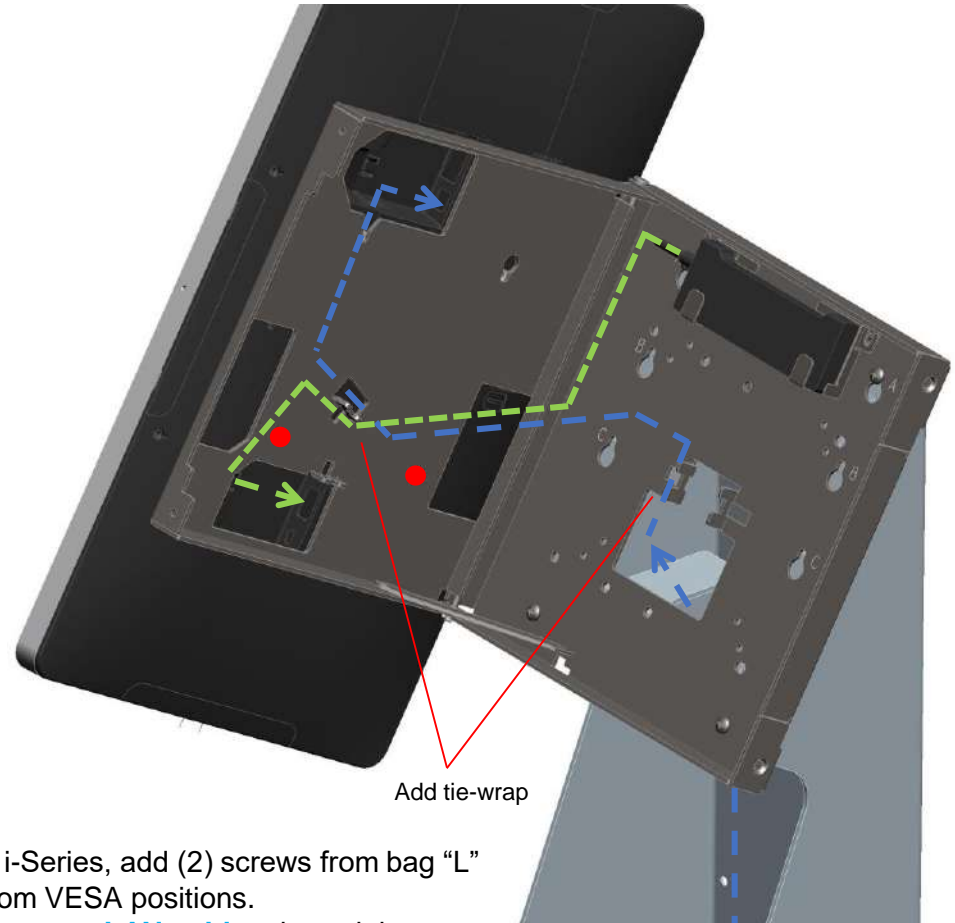
Android Portrait

Top Portrait



Add (2) screws from bag “L” to top VESA positions. Leave ~3mm (1/8”) gap for mounting to display bracket.
Remove cable cover(s) before mounting displays on stand.

13



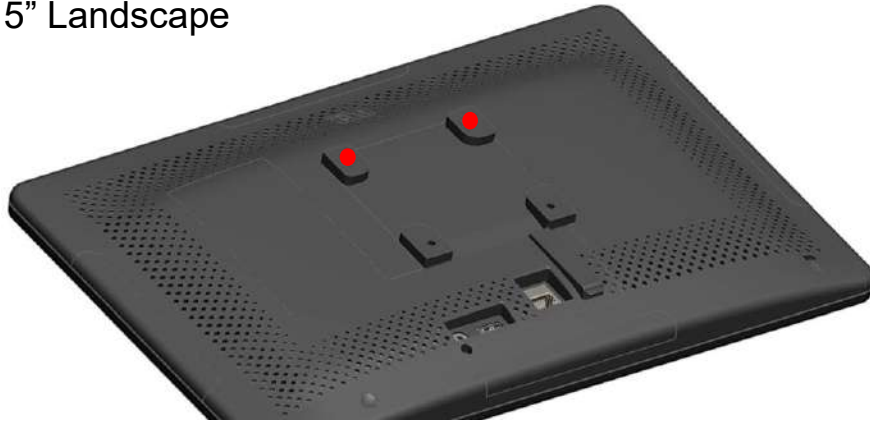
Mount i-Series, add (2) screws from bag “L” to bottom VESA positions.
Route **power, LAN cables** through bottom of stand head. Route **USB Hub** cable or other **USB** if used.

Continue to step 20

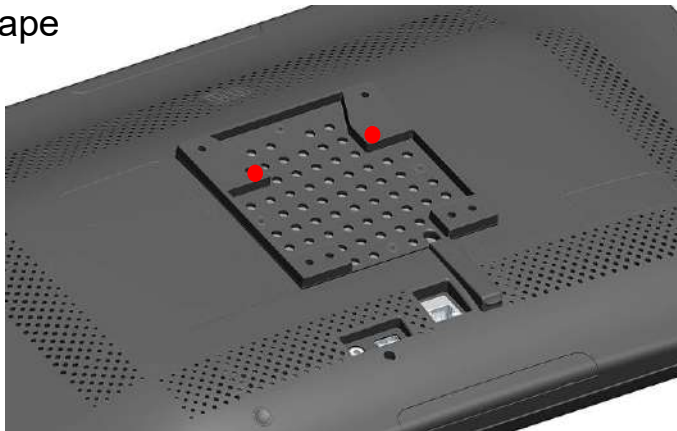
14

Windows Landscape
(For Portrait, go to step 15)

15" Landscape



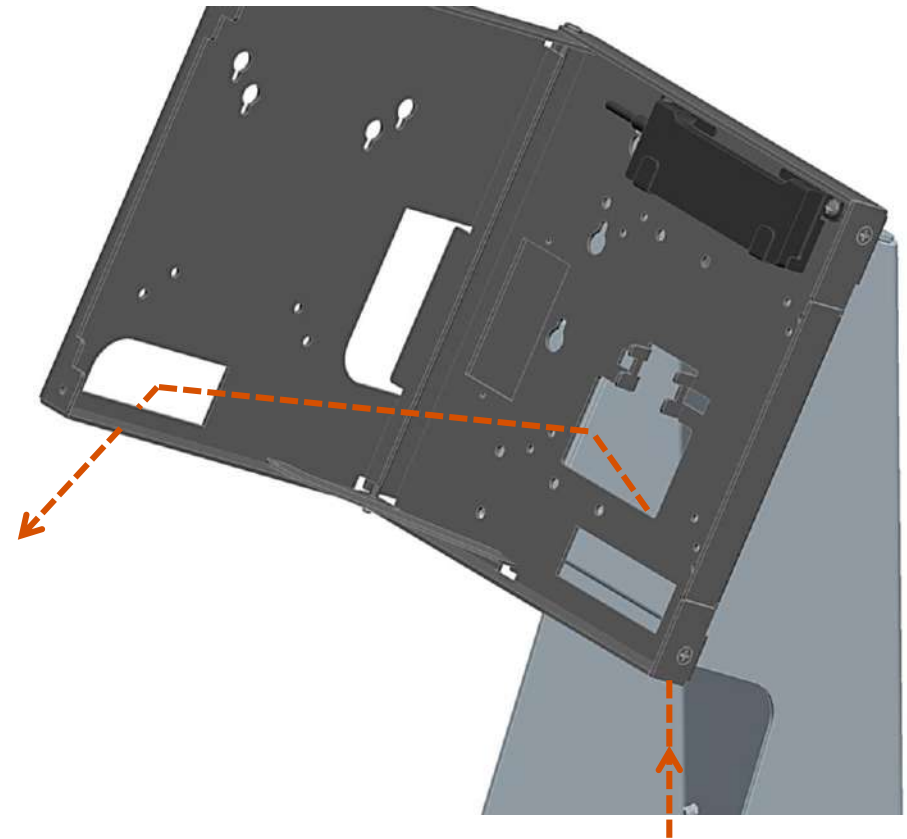
22" Landscape



15": add (2) screws from bag "M" to top 75mm VESA positions.
22": add (2) screws from bag "N" to top 75mm VESA positions.

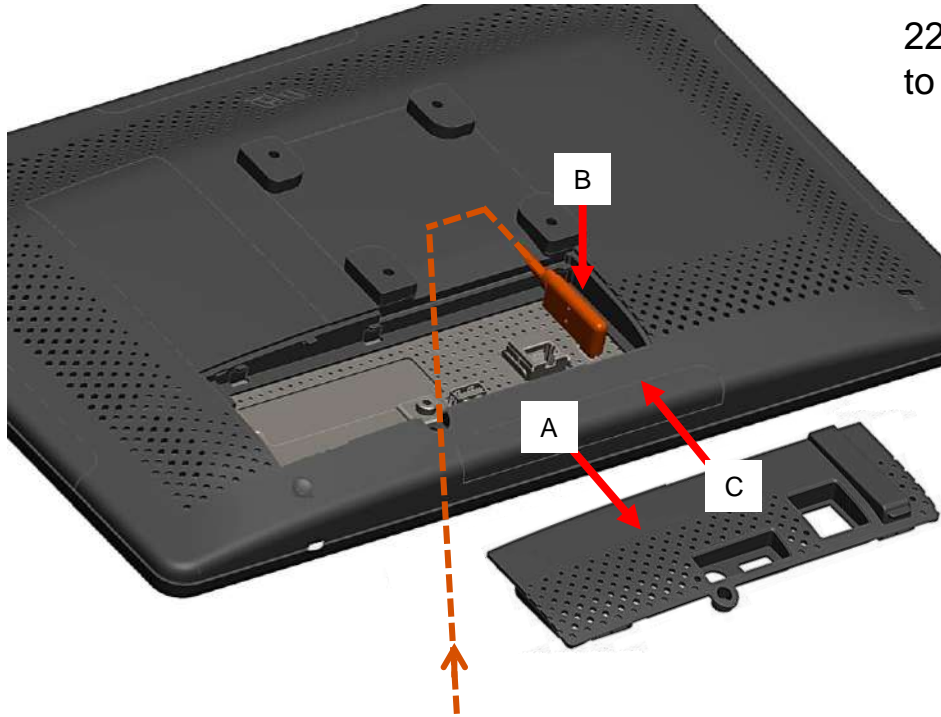
Leave ~3mm (1/8") gap for mounting to display bracket.

15



Route power cable from I-series through bottom of stand, through openings in the mount bracket as shown.

16a



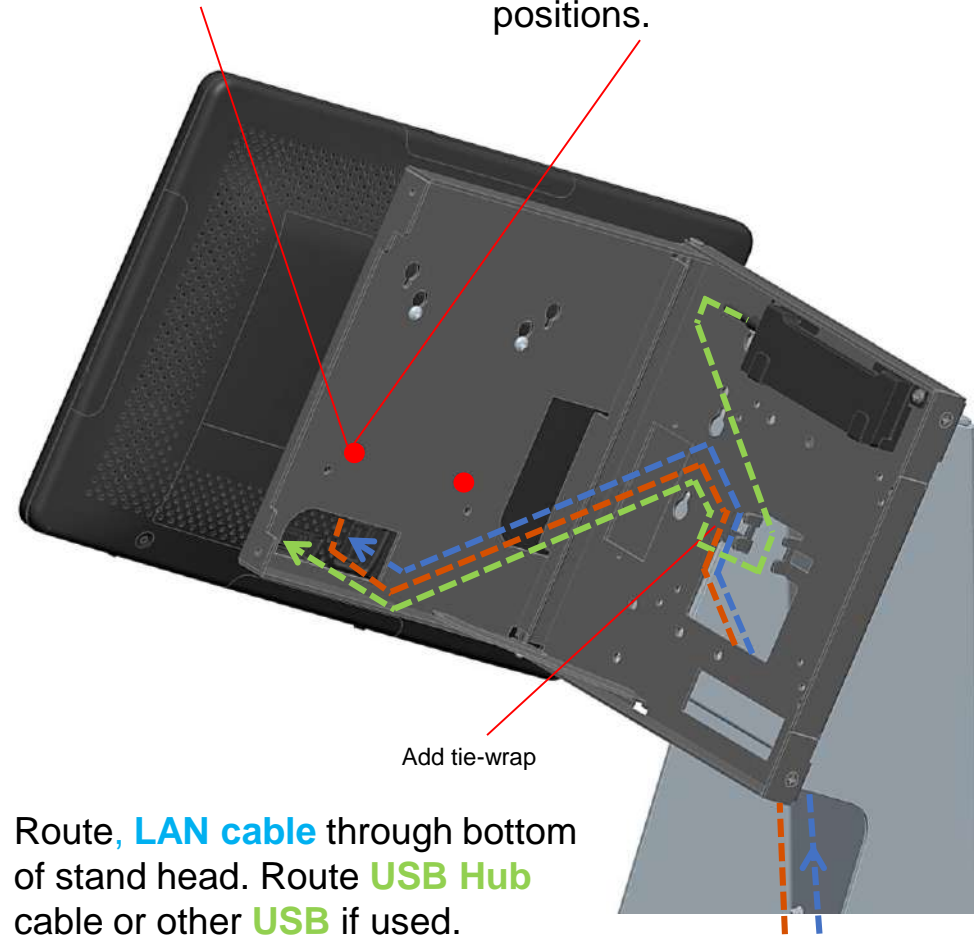
Place I-Series on surface near stand head, within reach of cable. Remove cable door (A), plug in power cable (B) and replace cable door (C) as shown.

16b

Mount I-Series, then add bottom VESA screws:

22": add (2) screws from bag "N" to bottom 75mm VESA positions.

15": add (2) screws from bag "M" to bottom 75mm VESA positions.



Route, **LAN cable** through bottom of stand head. Route **USB Hub** cable or other **USB** if used.

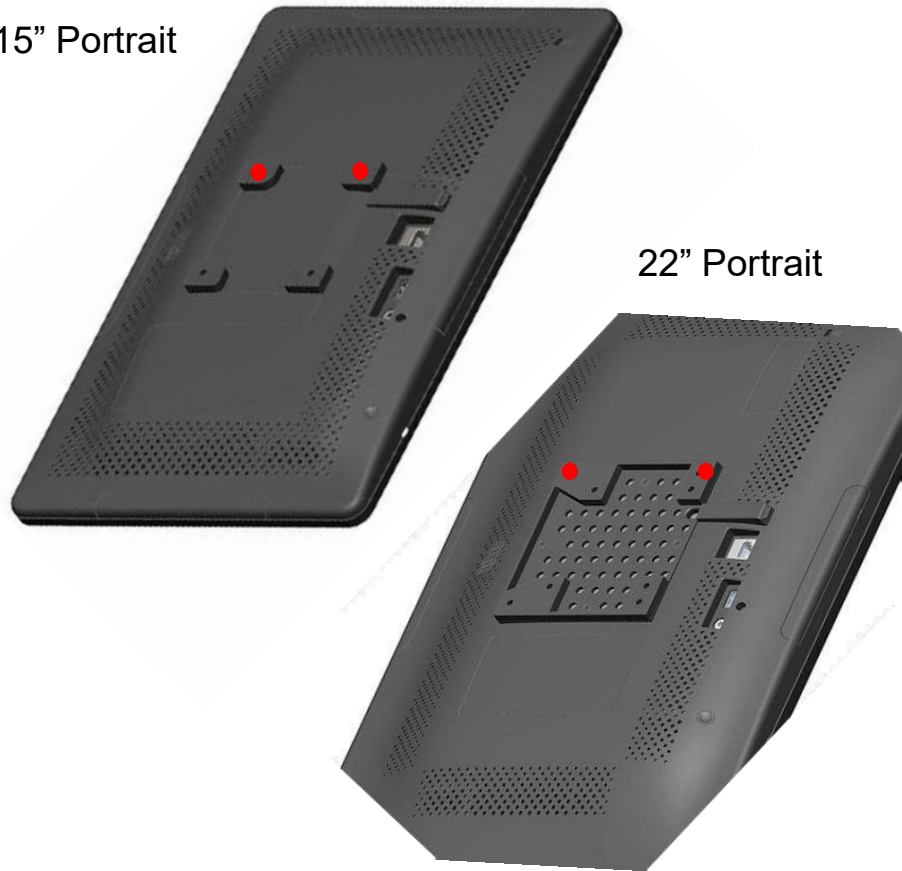
Continue to step **18**

17

Windows Portrait

15" Portrait

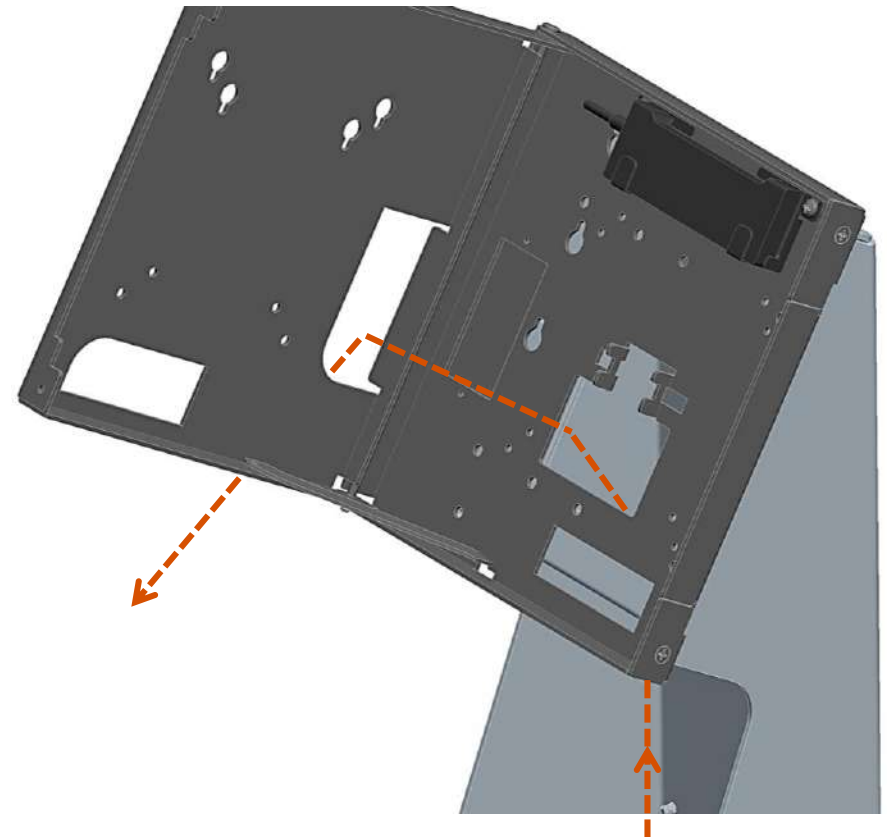
22" Portrait



15": add (2) screws from bag "M" to top 75mm VESA positions.
 22": add (2) screws from bag "N" to top 100mm VESA positions.

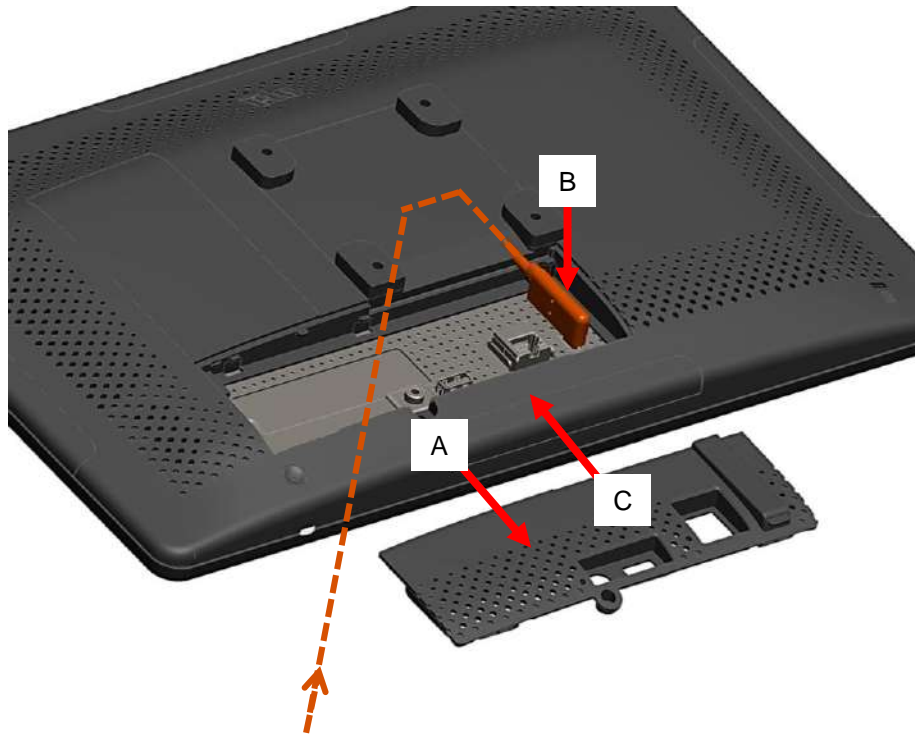
Leave ~3mm (1/8") gap for mounting to display bracket.

18



Route power cable from I-series through bottom of stand, through openings in the mount bracket as shown.

19a

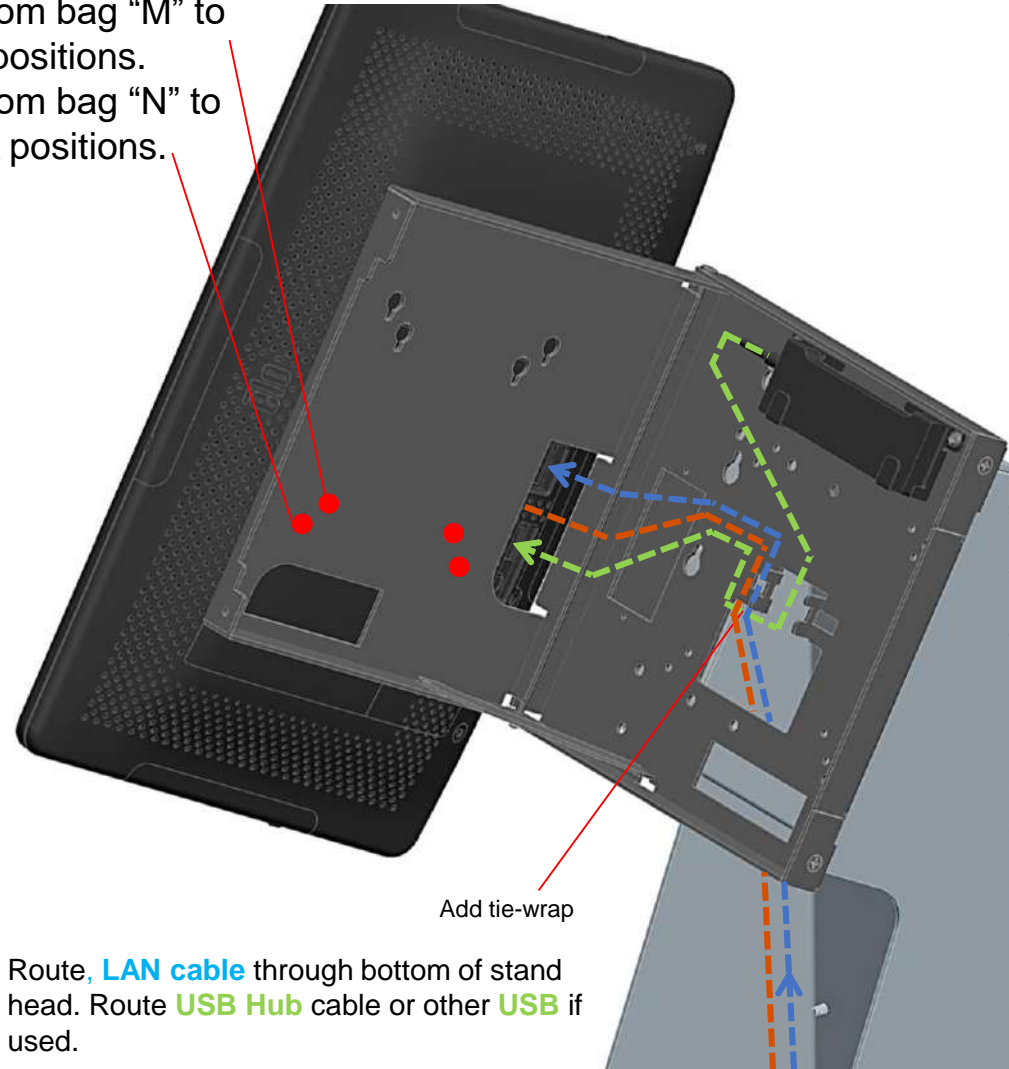


Place I-Series on surface near stand head, within reach of cable. Remove cable door (A), plug in power cable (B) and replace cable door (C) as shown.

19b

Mount I-Series, then add bottom VESA screws:

15": add (2) screws from bag "M" to bottom 75mm VESA positions.
 22": add (2) screws from bag "N" to bottom 100mm VESA positions.



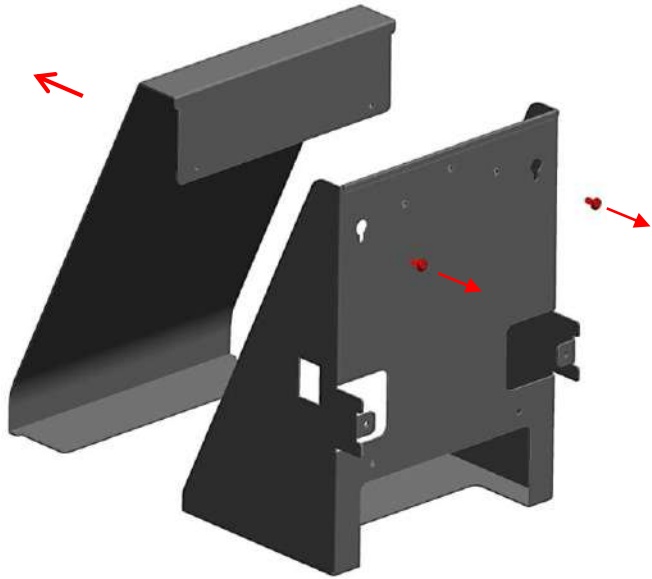
Route, **LAN cable** through bottom of stand head. Route **USB Hub** cable or other **USB** if used.

Add tie-wrap

Continue to step **18**

20

If no printer, skip to step 25

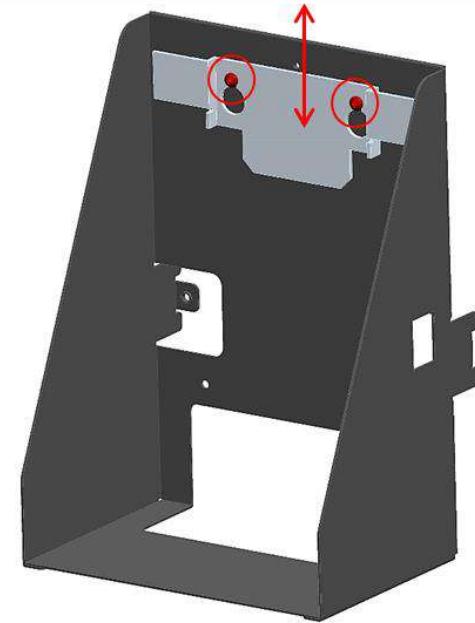


If using printer, remove cover to add printer.

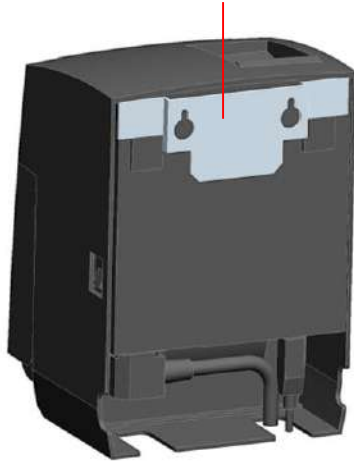
Go to step 21 for **Star** printers.
For **Epson TM-T88**, go to step 24.

21

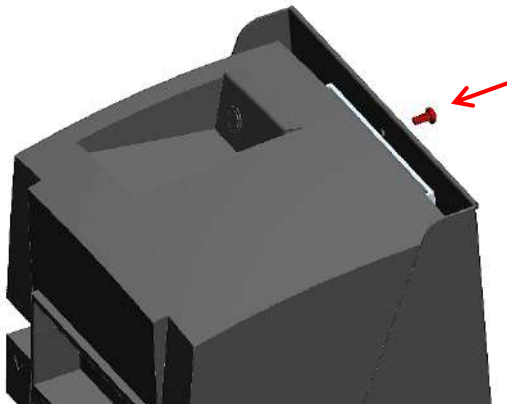
Add (2) screws from bag "C" to printer tray; use Star printer bracket to set depth of screws than remove Star bracket.



22 Add Star printer bracket to printer; refer to Star instructions.



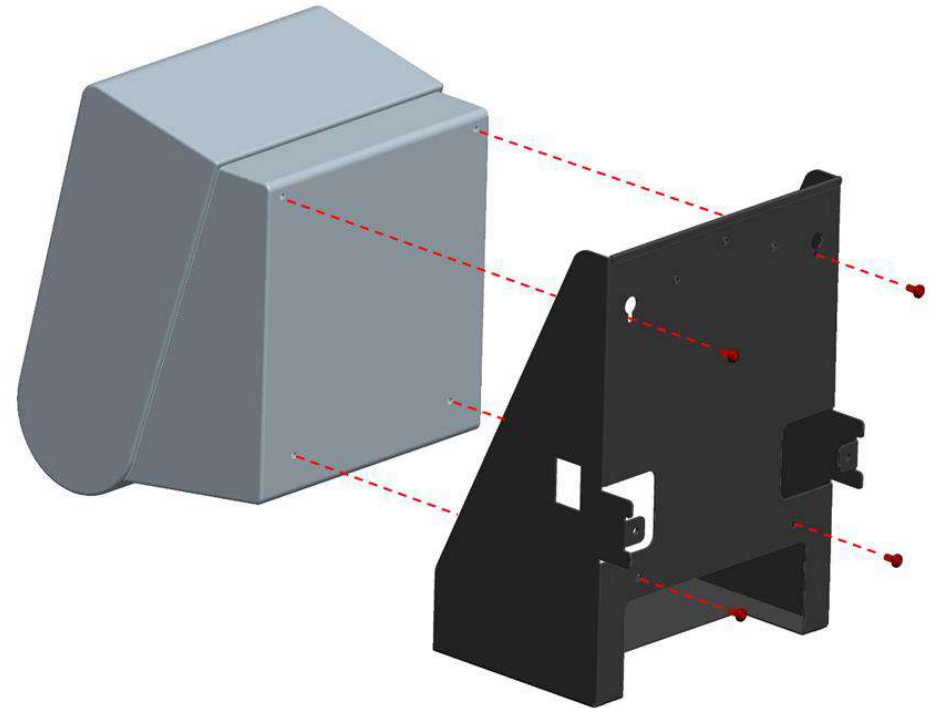
23 Add Star printer with bracket to printer tray. Secure printer to printer tray using 3rd screw from bag "C".



Continue to step **25**

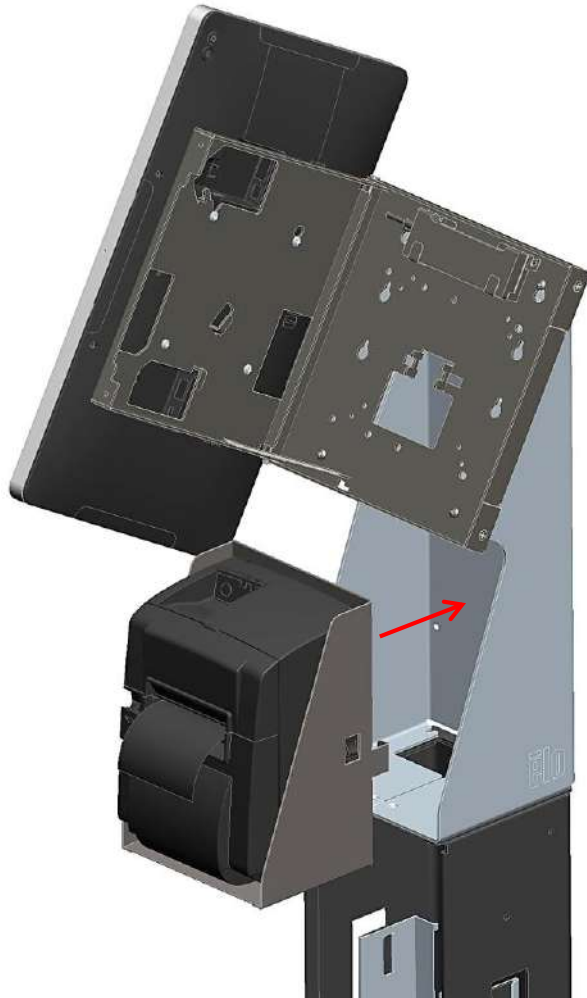
24 Add (4) screws from bag "D" to attach printer to the tray.

Epson TM-T88



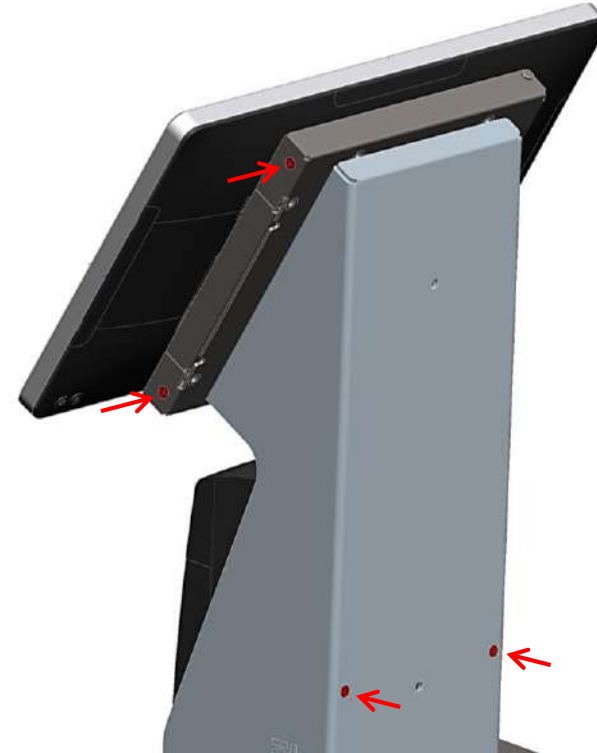
Continue to step **25**

25



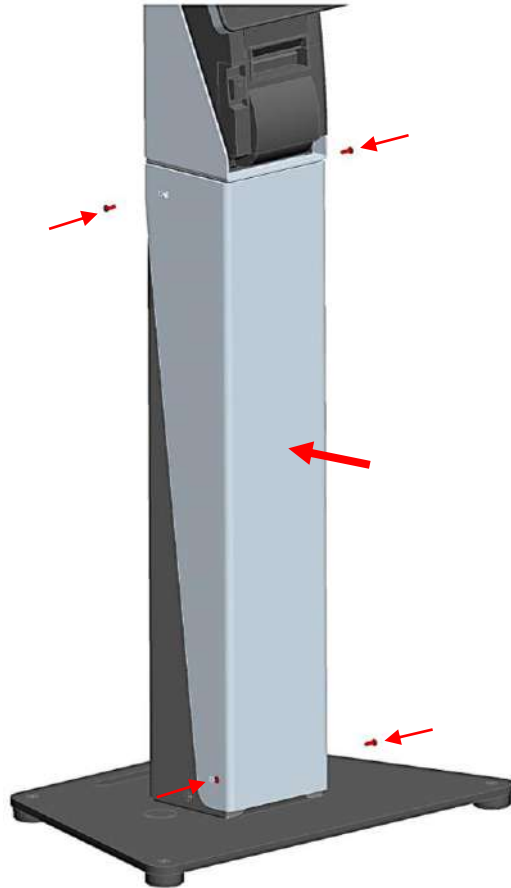
Route cables from/to printer as needed, slide in printer tray assembly (or printer tray with cover if no printer).

26



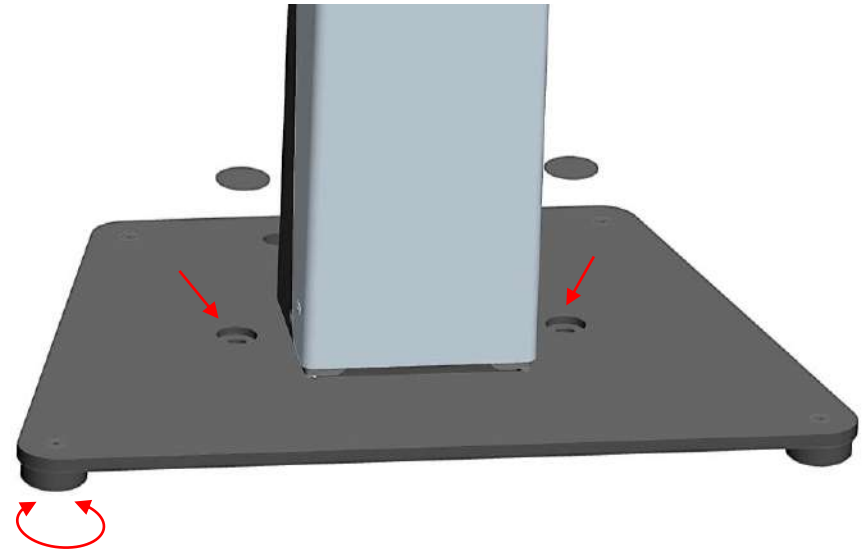
Close Display Bracket and add (2) screws saved from step 7. Secure printer assembly with (2) screws saved from step 3.

27



Replace floor stand cover and secure using (4) screws saved from step 2.

28

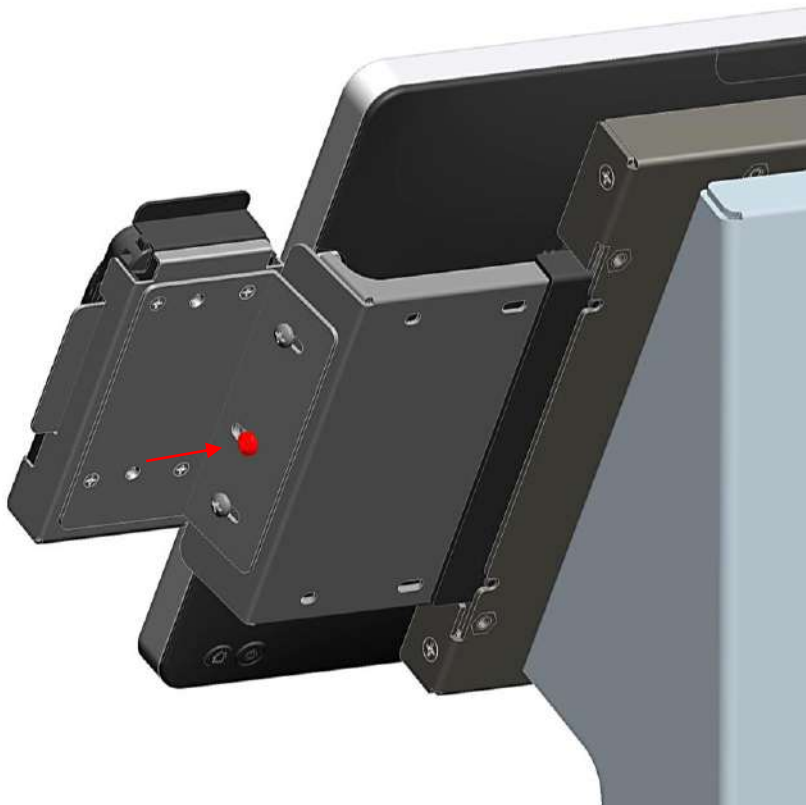


(2) bolt holes available on top of base to secure stand to floor. Feet can be adjusted in case of uneven surfaces.

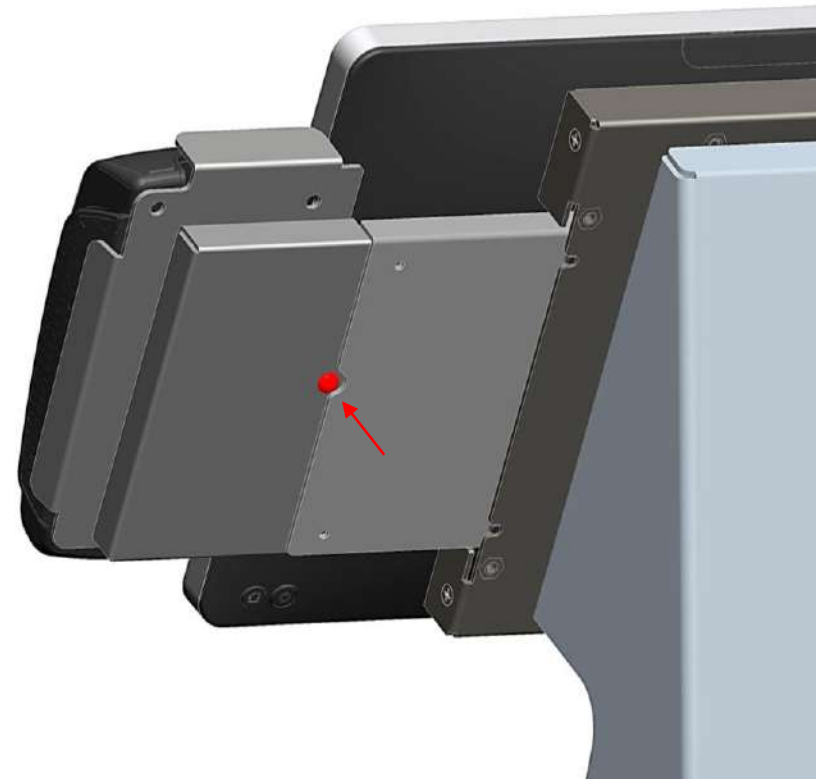
29

If installing an EMV Cradle, finish by adding
(1) screw from bag “S”.

EMV-SELF-SERV-ING-RP757



EMV-SELF-SERV-15-22-ING-IPP320/350/315
EMV-SELF-SERV-15-22-VF-MX915-ING-ISC250



For more information, go to www.elotouch.com/support, or call the office nearest you.

Elo reserves the right to change or update, without notice, any information contained herein; to change, without notice, the design, construction, materials, processing or specifications of any products; and to discontinue or limit production or distribution of any products. Elo and the Elo logo are either trademarks or registered trademarks of Elo Touch Solutions, Inc. All other trademarks are the property of their respective owners.

© 2019 Elo Touch Solutions, Inc. All rights reserved.