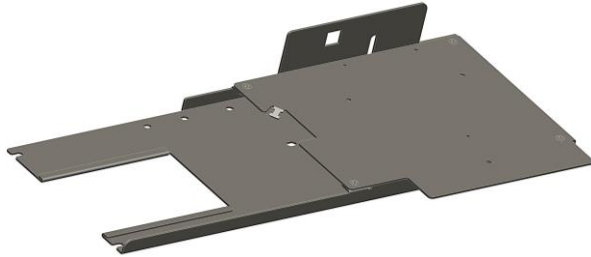
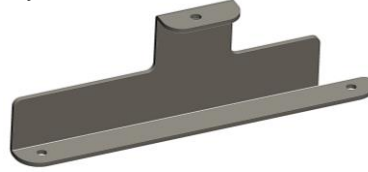


Contents for Kit:

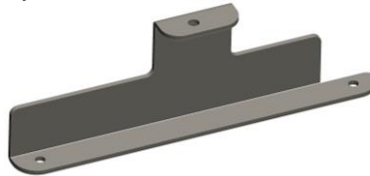
EMV Arm Assembly
Qty. 1



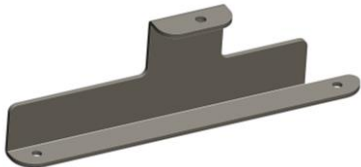
EMV Edge Bracket, 22 Windows
(bag label "22 W")
Qty. 1



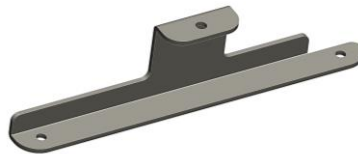
EMV Edge Bracket, 15 Windows
(bag label "15 W")
Qty. 1



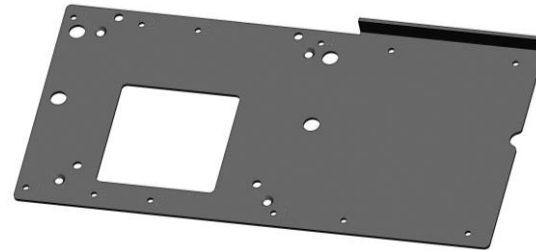
EMV Edge Bracket, 22 Android
(bag label "22 A")
Qty. 1



EMV Edge Bracket, 15 Android
(bag label "15 A")
Qty. 1



EMV Mount Plate, Long
Qty. 1

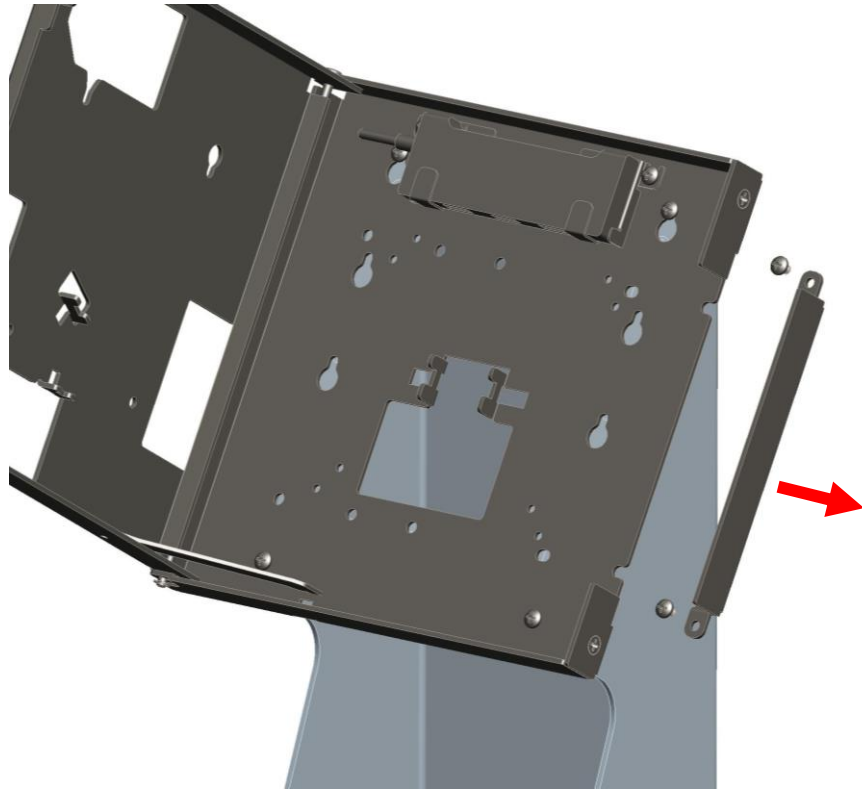


Tie-wrap
Qty. 2



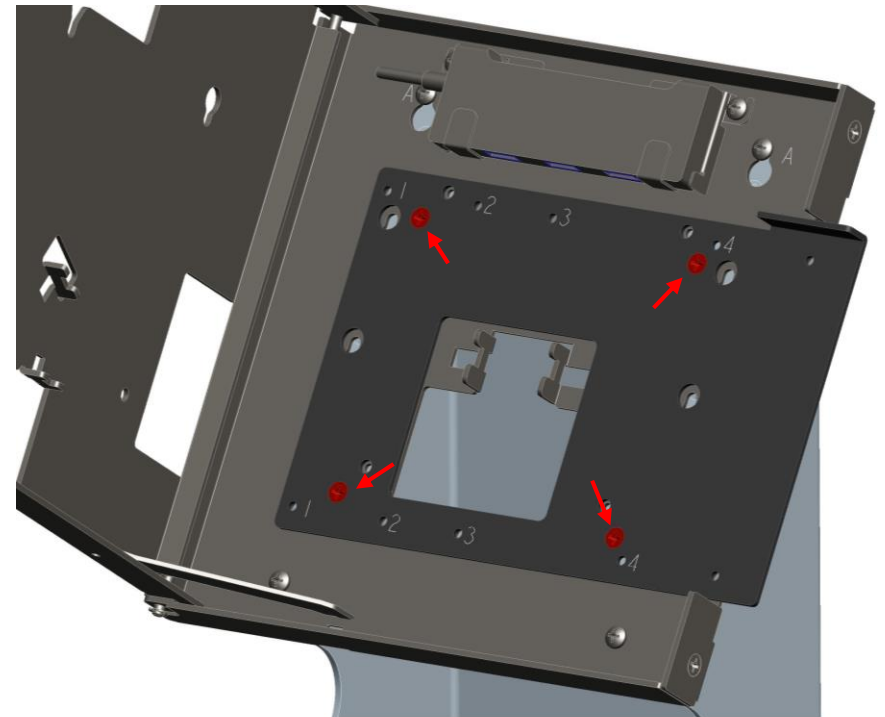
Screws		
Bag C	Qty.2	SCREW, M3X8, PAN-HEAD, CROSS-RECESS
Bag R	Qty. 4	SCREW, M4X6, FLAT-HEAD, CROSS-RECESS
Bag P	Qty.8	SCREW, M4X5, PAN-HEAD, CROSS-RECESS
Bag G	Qty. 3	SCREW_M4X10_SPECIAL PAN-HEAD, CROSS-RECESS
Bag H	Qty. 3	SCREW_M3X8_SPECIAL PAN-HEAD, CROSS-RECESS

1



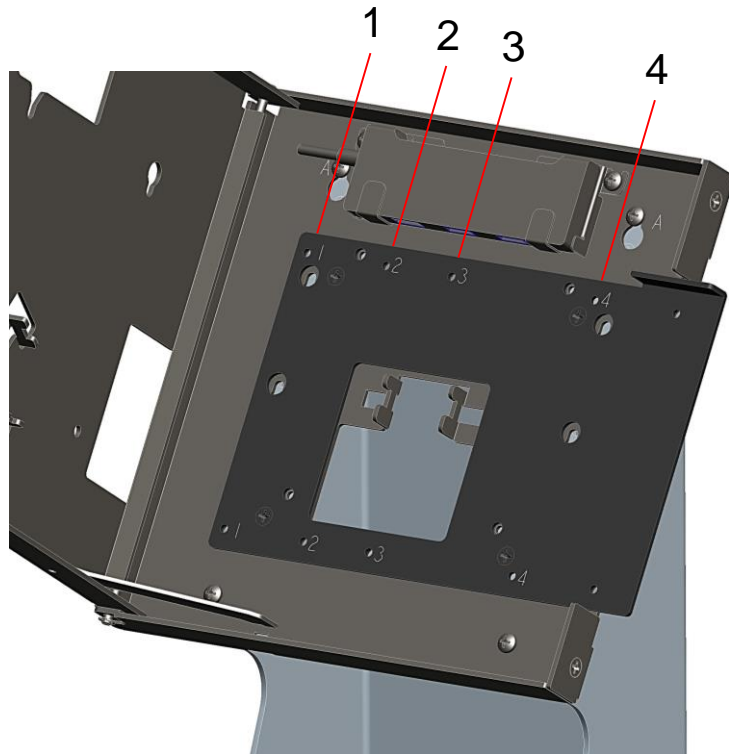
Remove Fill Plate on Display Bracket.

2



Add the EMV Mount Plate to the Display Bracket using (4) screws from bag "R".

3



Add (2) screws to EMV Mount Plate from bag “P” at position 1, 2,3 or 4. Leave ~3mm (1/8”) gap (for EMV Arm).

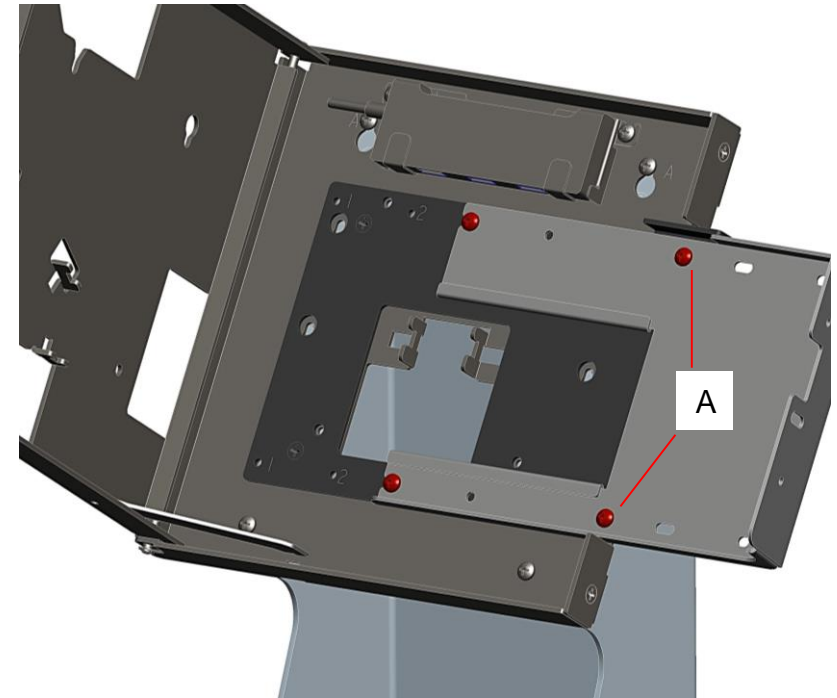
Position “1” for 15” in portrait.

Position “2” for 22” in portrait.

Position “3” for 15” in landscape.

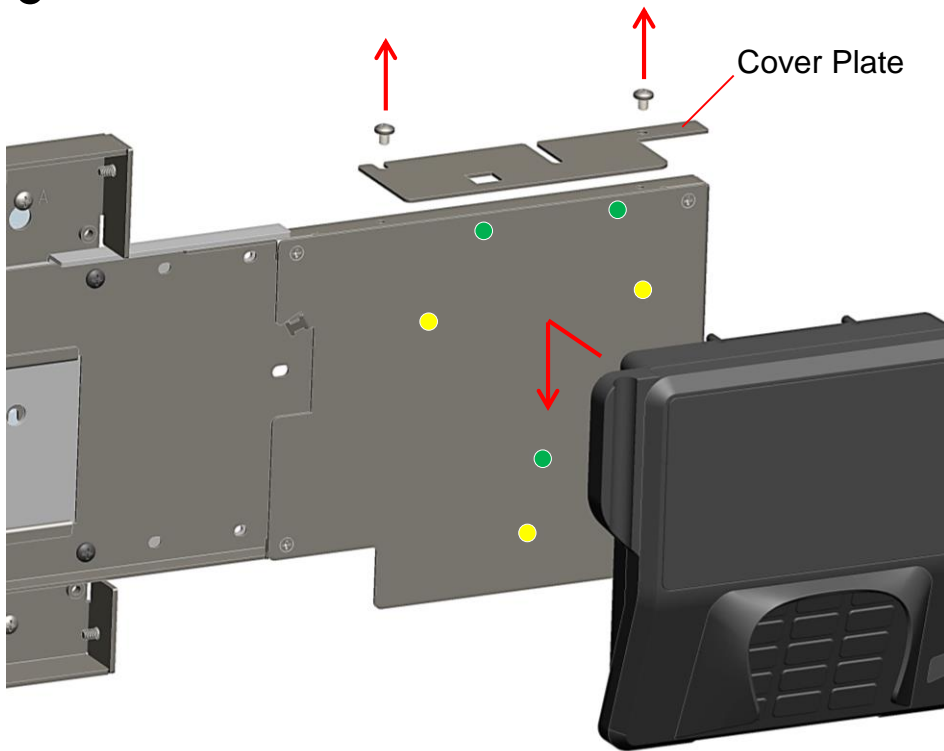
Position “4” for 22” in landscape.

4



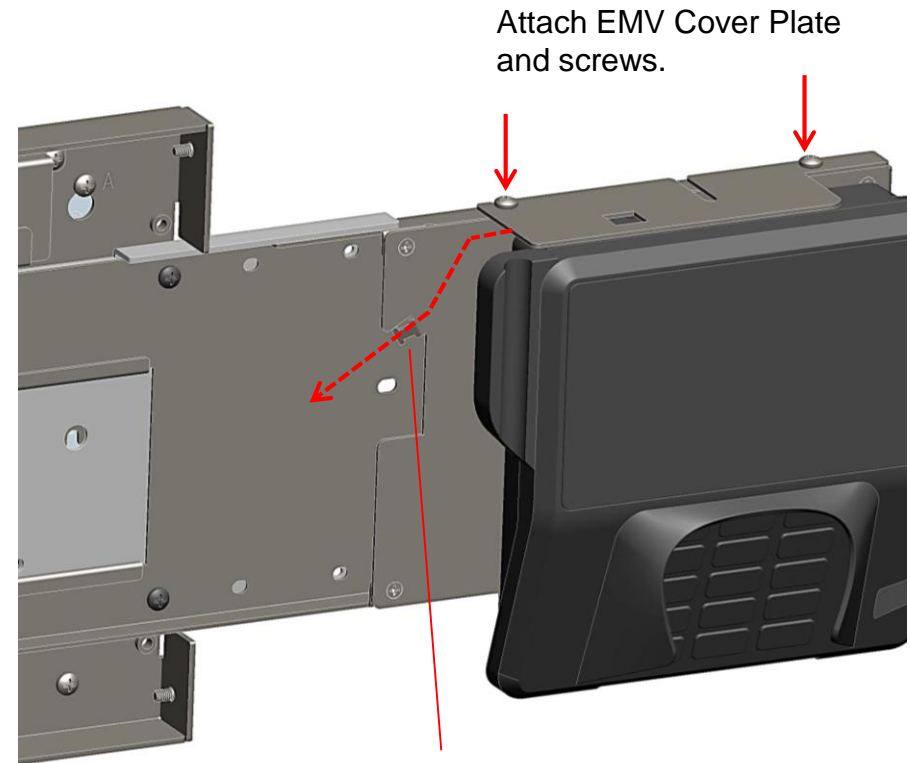
Assemble EMV Arm to Display Bracket. Add (2) screws from bag “P” at right most position “A” to secure EMV Arm to Display Bracket.

5



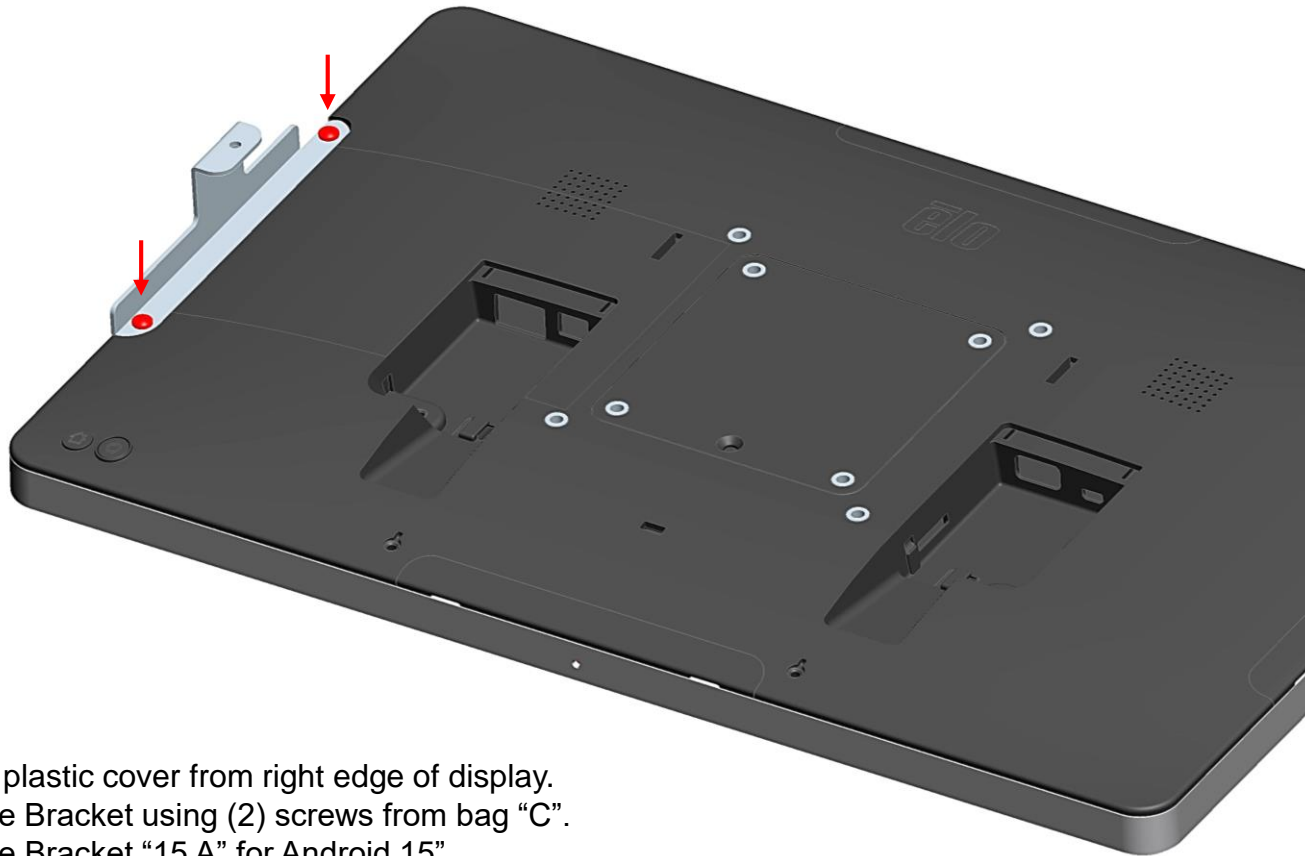
Remove and save EMV Cover Plate and screws.
 Add (3) screws for mounting EMV terminal:
 - Use bag "G" for **Ingenico iSC250**
 - Use bag "H" for **Verifone MX915**
 Attach EMV terminal cable to terminal and slide terminal onto (3) Arm Assembly screws.

6



Route EMV terminal cable and tie-wrap.

7



Remove plastic cover from right edge of display.
Add Edge Bracket using (2) screws from bag "C".
Use Edge Bracket "15 A" for Android 15"
Use Edge Bracket "22 A" for Android 22"
Use Edge Bracket "15 W" for Windows 15"
Use Edge Bracket "22 W" for Windows 22"

Return to Wallaby assembly guide
to complete installation

For more information, go to www.elotouch.com/support, or call the office nearest you.

Elo reserves the right to change or update, without notice, any information contained herein; to change, without notice, the design, construction, materials, processing or specifications of any products; and to discontinue or limit production or distribution of any products. Elo and the Elo logo are either trademarks or registered trademarks of Elo Touch Solutions, Inc. All other trademarks are the property of their respective owners.

© 2019 Elo Touch Solutions, Inc. All rights reserved.