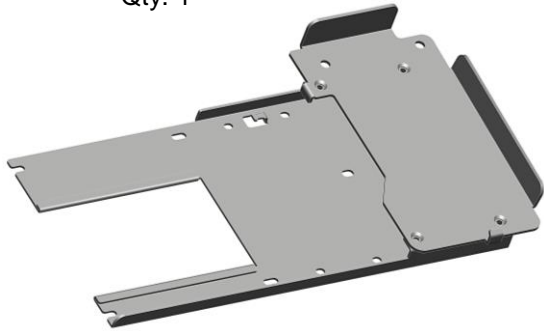
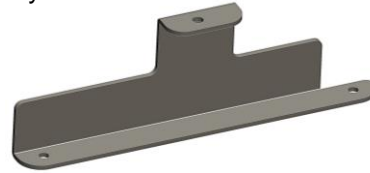


**Contents for Kit:**

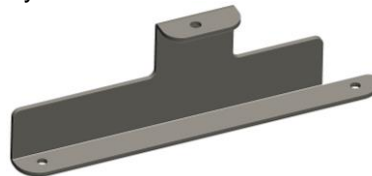
EMV Arm Assembly  
Qty. 1



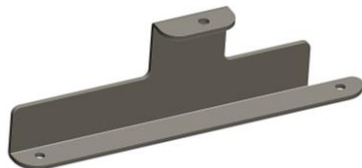
EMV Edge Bracket, 22 Windows  
(bag label "22 W")  
Qty. 1



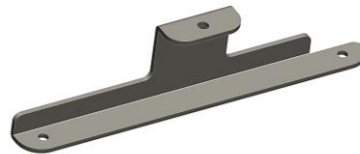
EMV Edge Bracket, 15 Windows  
(bag label "15 W")  
Qty. 1



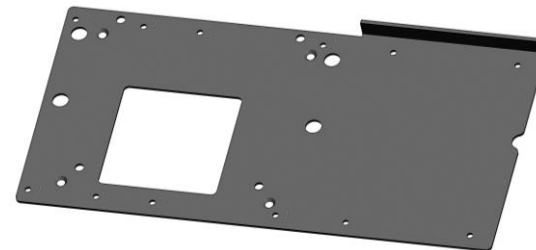
EMV Edge Bracket, 22 Android  
(bag label "22 A")  
Qty. 1



EMV Edge Bracket, 15 Android  
(bag label "15 A")  
Qty. 1



EMV Mount Plate, Long  
Qty. 1

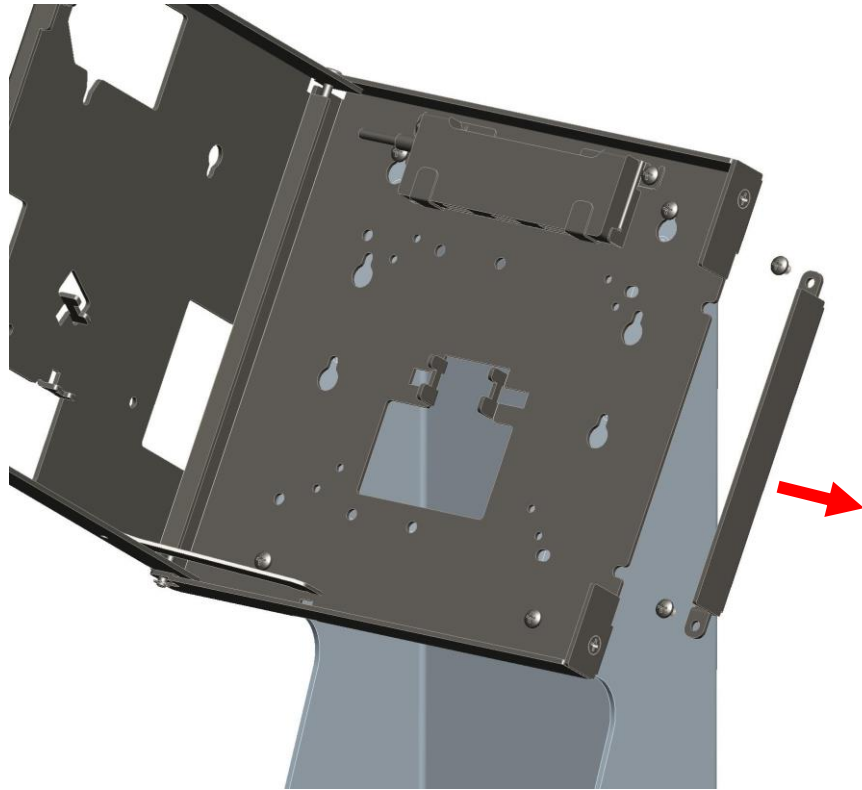


Tie-wrap  
Qty. 2



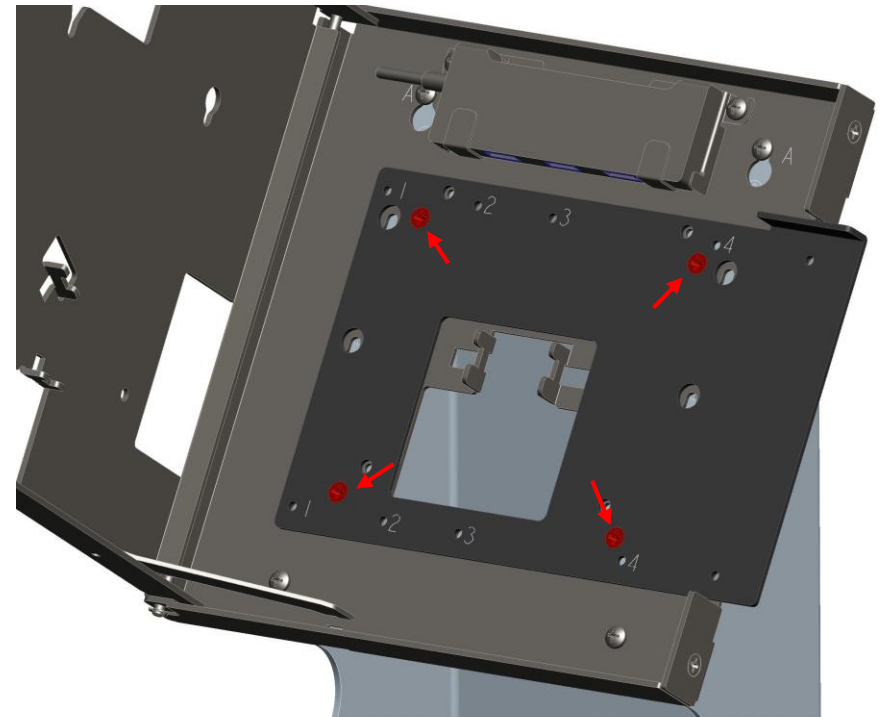
| Screws       |        |   |
|--------------|--------|---|
| Bag <b>C</b> | Qty.2  | SCREW, M3X8, PAN-HEAD, CROSS-RECESS                     |
| Bag <b>R</b> | Qty. 4 | SCREW, M4X6, FLAT-HEAD, CROSS-RECESS                    |
| Bag <b>P</b> | Qty.8  | SCREW, M4X5, PAN-HEAD, CROSS-RECESS                     |
| Bag <b>J</b> | Qty. 2 | SCREW, #10,0.5"L, PAN-HEAD, THREAD-FORMING,CROSS-RECESS |

1



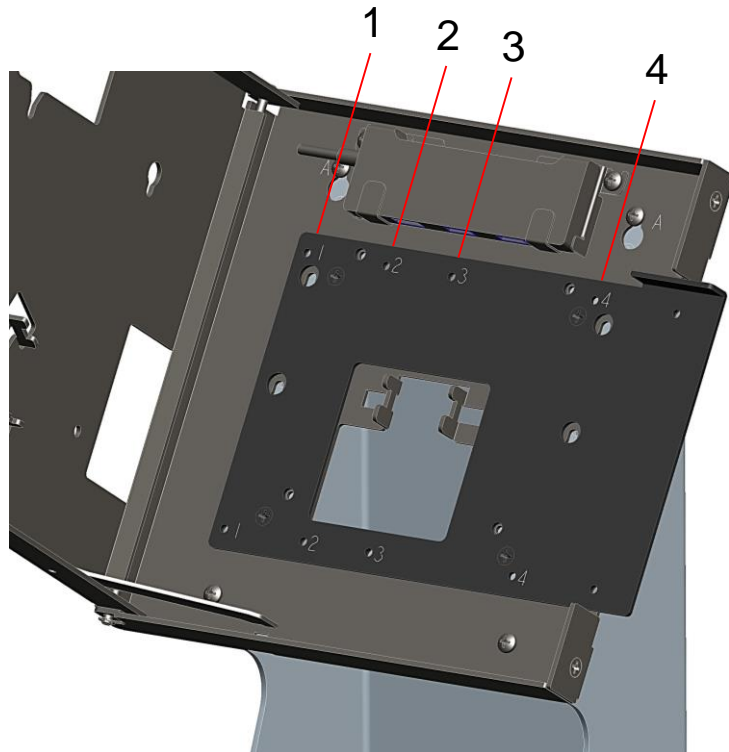
Remove Fill Plate on Display Bracket.

2



Add the EMV Mount Plate to the Display Bracket using (4) screws from bag "R".

3



Add (2) screws to EMV Mount Plate from bag “P” at position 1, 2,3 or 4. Leave ~3mm (1/8”) gap (for EMV Arm).

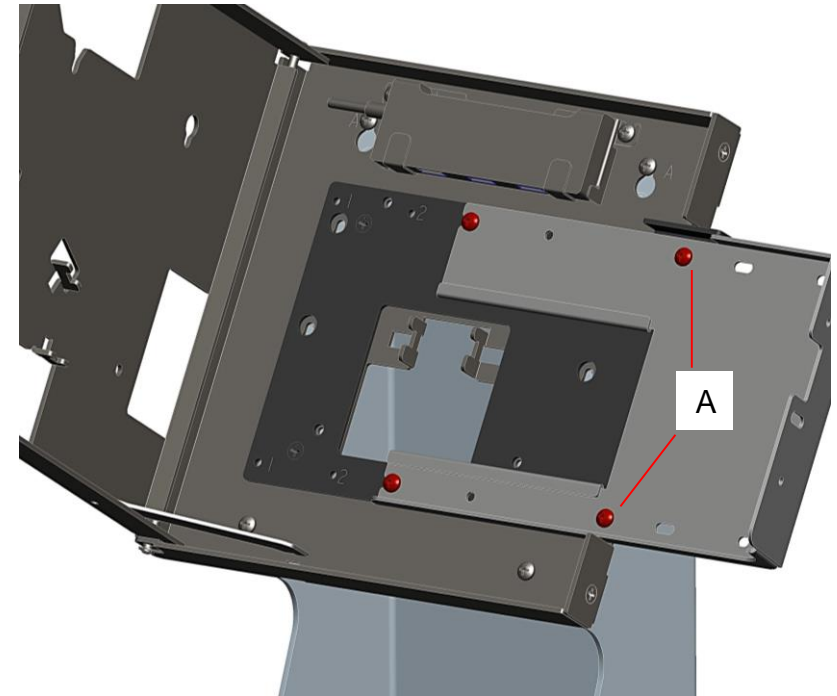
Position “1” for 15” in portrait.

Position “2” for 22” in portrait.

Position “3” for 15” in landscape.

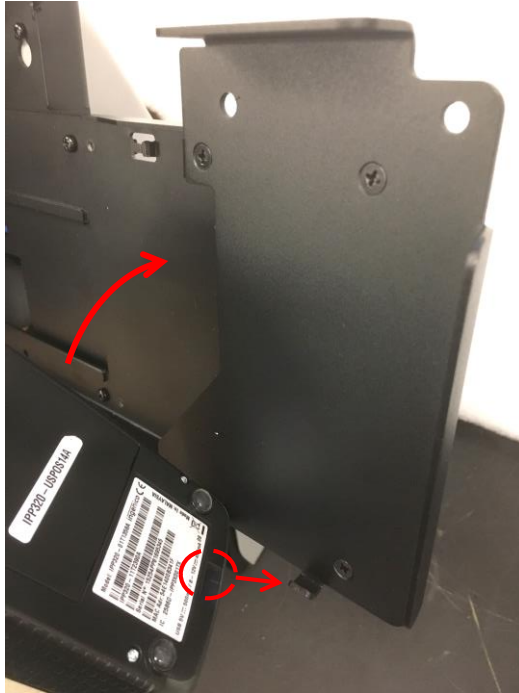
Position “4” for 22” in landscape.

4



Assemble EMV Arm to Display Bracket. Add (2) screws from bag “P” at right most position “A” to secure EMV Arm to Display Bracket.

5



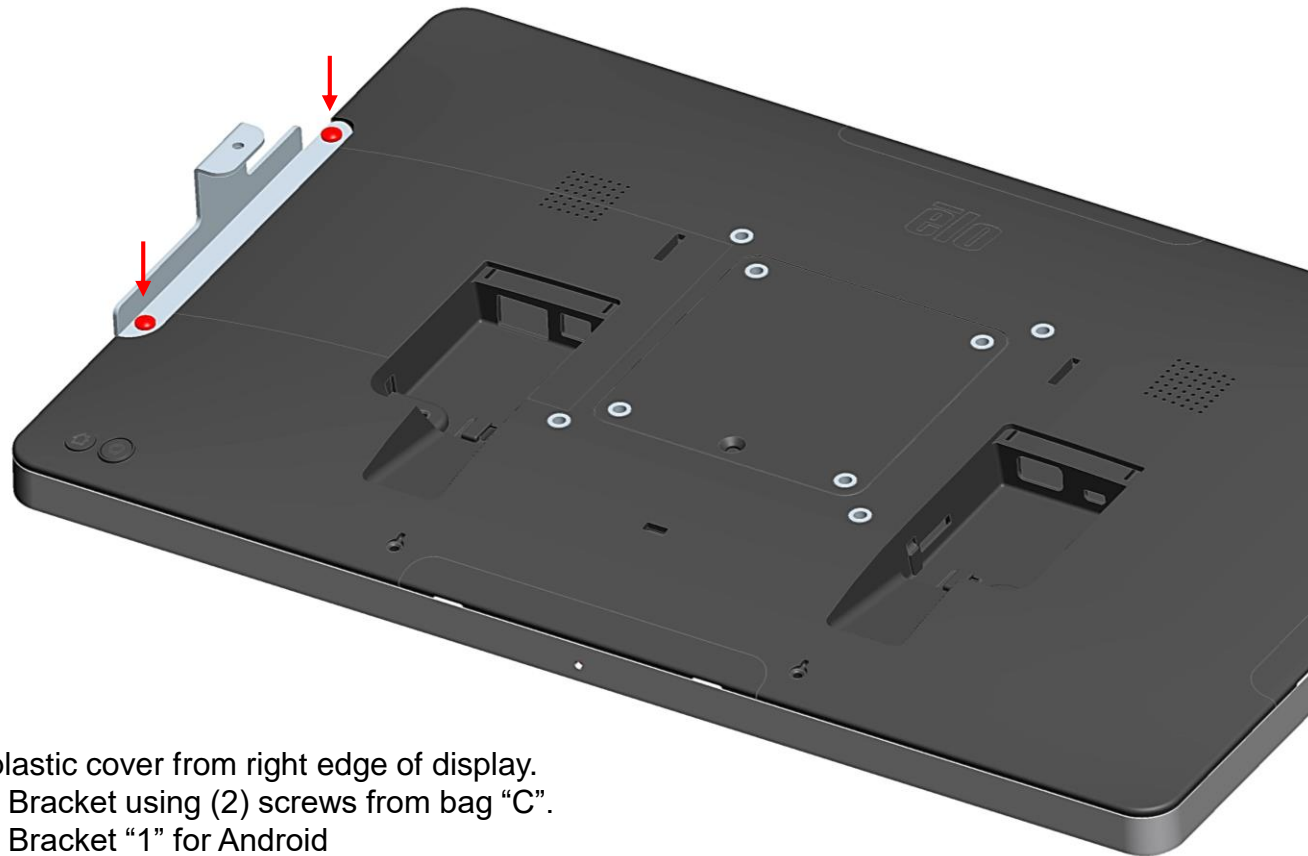
Slide Ingenic IPP320/350 onto sled.

6



Add screws from bag "J"; do not over tighten.  
Add zip-tie.

7



Remove plastic cover from right edge of display.  
Add Edge Bracket using (2) screws from bag "C".  
Use Edge Bracket "1" for Android  
Use Edge Bracket "2" for Windows

Return to Wallaby assembly guide  
to complete installation

---

For more information, go to [www.elotouch.com/support](http://www.elotouch.com/support), or call the office nearest you.

Elo reserves the right to change or update, without notice, any information contained herein; to change, without notice, the design, construction, materials, processing or specifications of any products; and to discontinue or limit production or distribution of any products. Elo and the Elo logo are either trademarks or registered trademarks of Elo Touch Solutions, Inc. All other trademarks are the property of their respective owners.

© 2019 Elo Touch Solutions, Inc. All rights reserved.