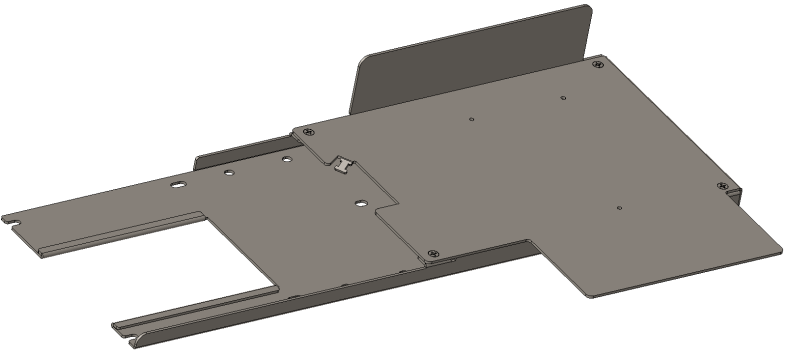


E352169 EMV-SERV-VF-MX925

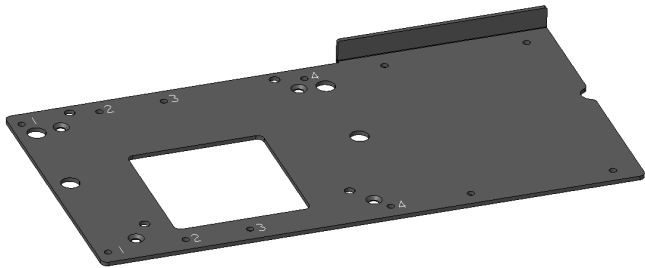
FOR USE ON:

E796965 ELO-STAND-SELF-SERVICE-15-22-FLOOR-TOP

E796783 ELO-STAND-SELF-SERVICE-15-22-COUNTERTOP



EMV Arm Assembly  
Qty. 1



EMV Mount Plate, Long  
Qty. 1

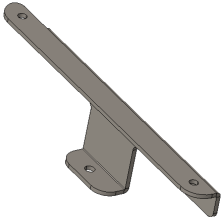
Screws		
Bag <b>C</b>	Qty.2	SCREW, M3X8, PAN-HEAD, CROSS-RECESS
Bag <b>P</b>	Qty.4	SCREW, M4X5, PAN-HEAD, CROSS-RECESS
Bag <b>R</b>	Qty.4	SCREW, M4X6, FLAT-HEAD, CROSS-RECESS
Bag <b>Q</b>	Qty.3	SCREW, M3X5, PAN-HEAD, CROSS-RECESS



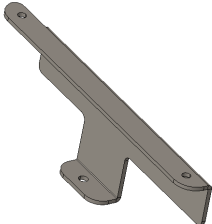
Tie-wrap  
Qty. 2



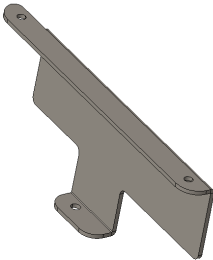
EMV Edge Bracket, 22 Android 4.0  
(bag label "22 A4")  
Qty. 1



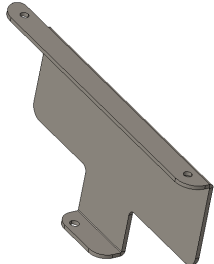
EMV Edge Bracket, 15 Android  
(bag label "15 A")  
Qty. 1



EMV Edge Bracket, 22 Android  
(bag label "22 A")  
Qty. 1

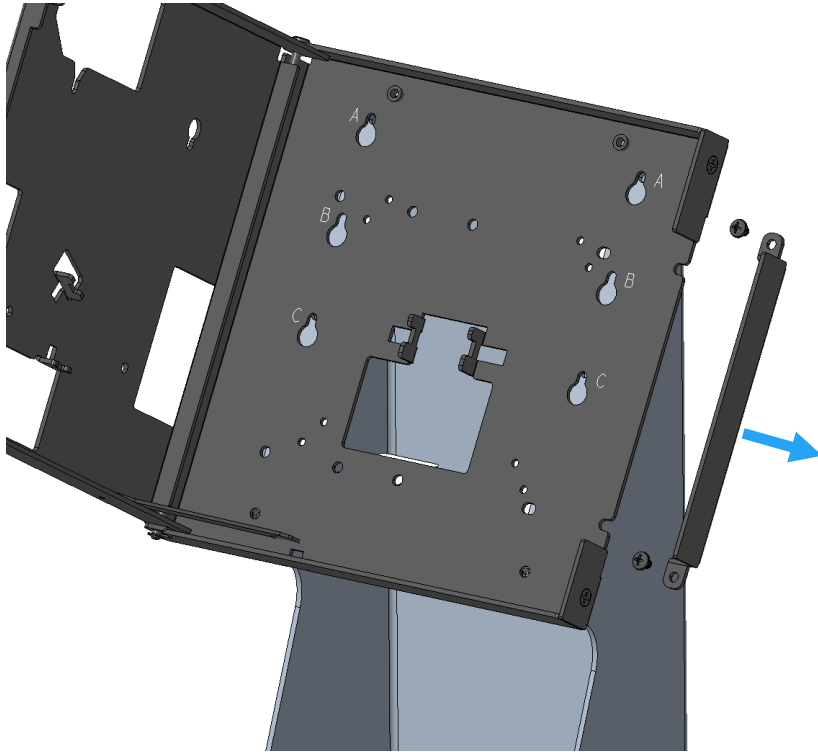


EMV Edge Bracket, 15 Windows  
(bag label "15 W")  
Qty. 1



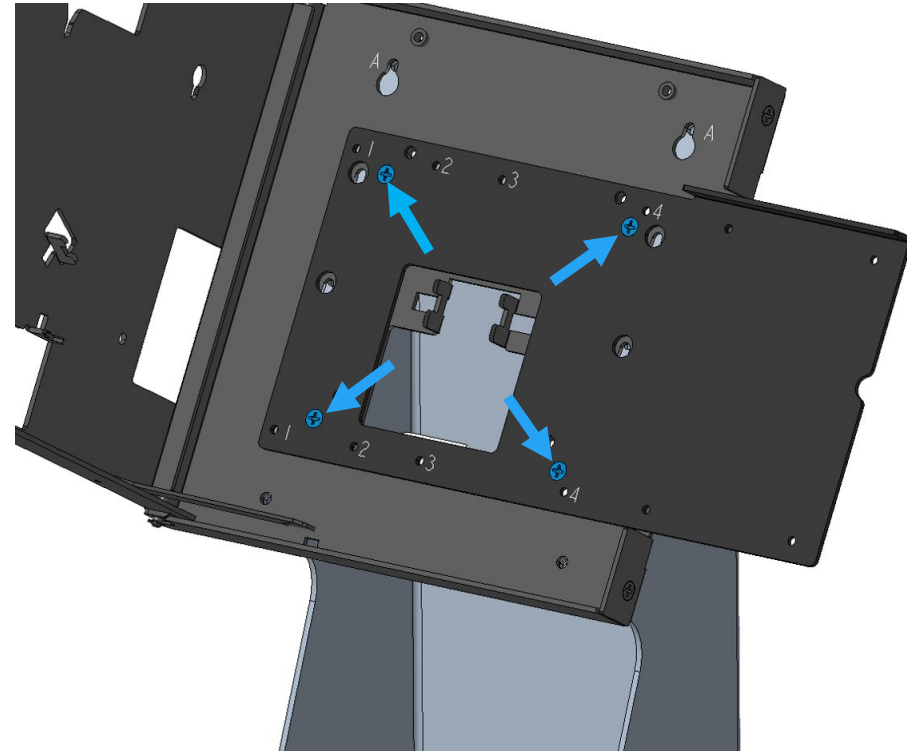
EMV Edge Bracket, 22 Windows  
(bag label "22 W")  
Qty. 1

1



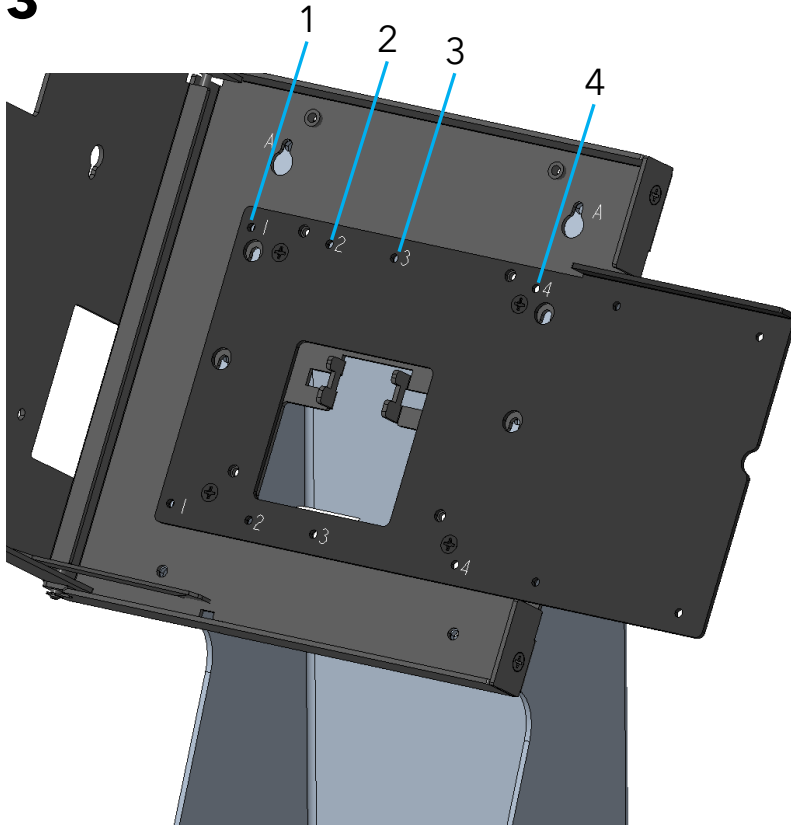
Remove Fill Plate on Display Bracket.

2



Add the EMV Mount Plate to the Display Bracket using (4) screws from bag "R".

3



Add (2) screws to EMV Mount Plate from bag "P" at position 1, 2, 3 or 4. Leave ~3mm (1/8") gap (for EMV Arm).

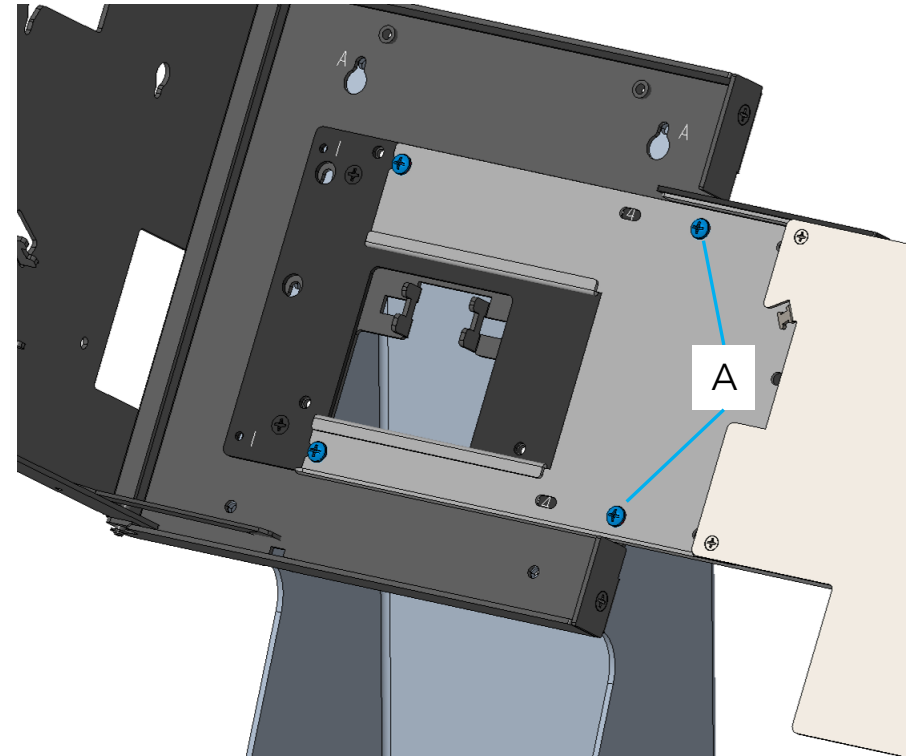
Position "1" for 15" in portrait.

Position "2" for 22" in portrait.

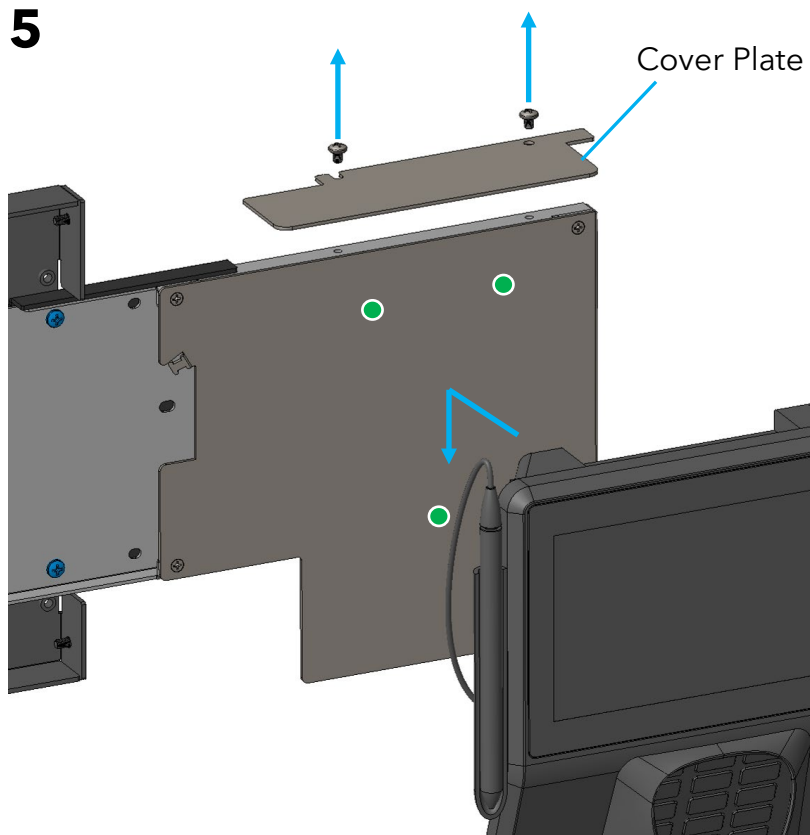
Position "3" for 15" in landscape.

Position "4" for 22" in landscape.

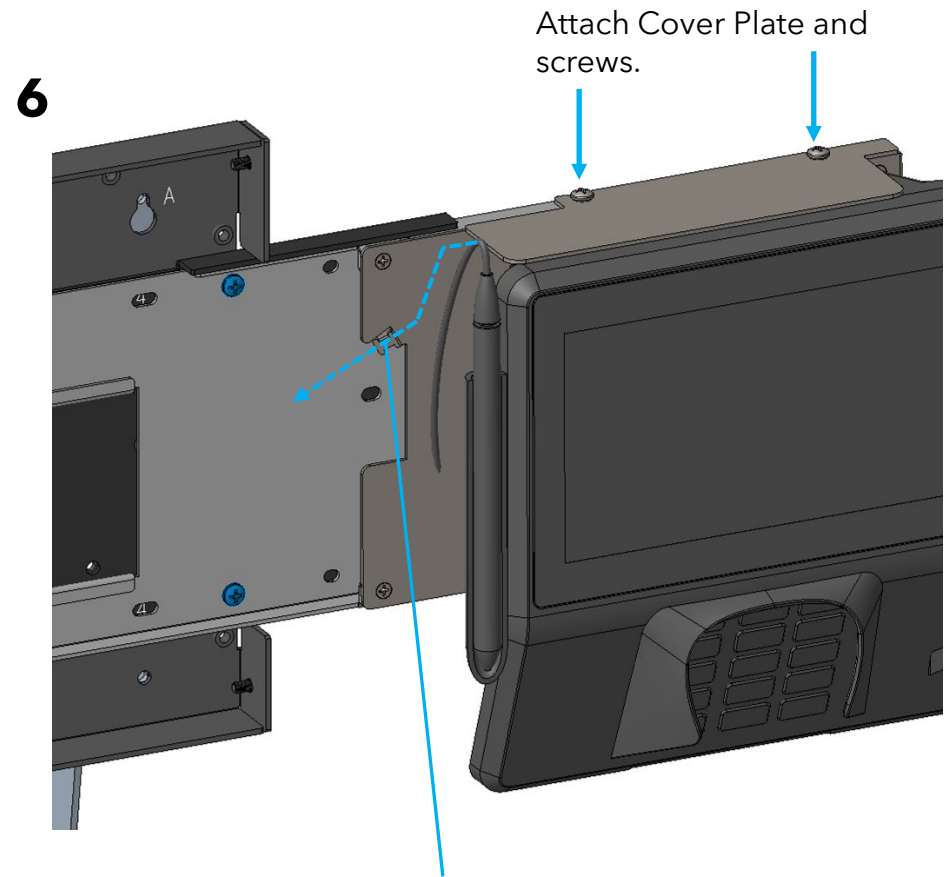
4



Assemble EMV Arm to Display Bracket. Add (2) screws from bag "P" at right most position "A" to secure EMV Arm to Display Bracket.



Remove Fill Plate on Display Bracket.  
 Remove and save EMV Cover Plate and screws.  
 Add (3) screws for mounting EMV terminal  
 from bag "Q".  
 Attach EMV terminal cable to terminal and slide  
 terminal onto (3) Arm Assembly screws.

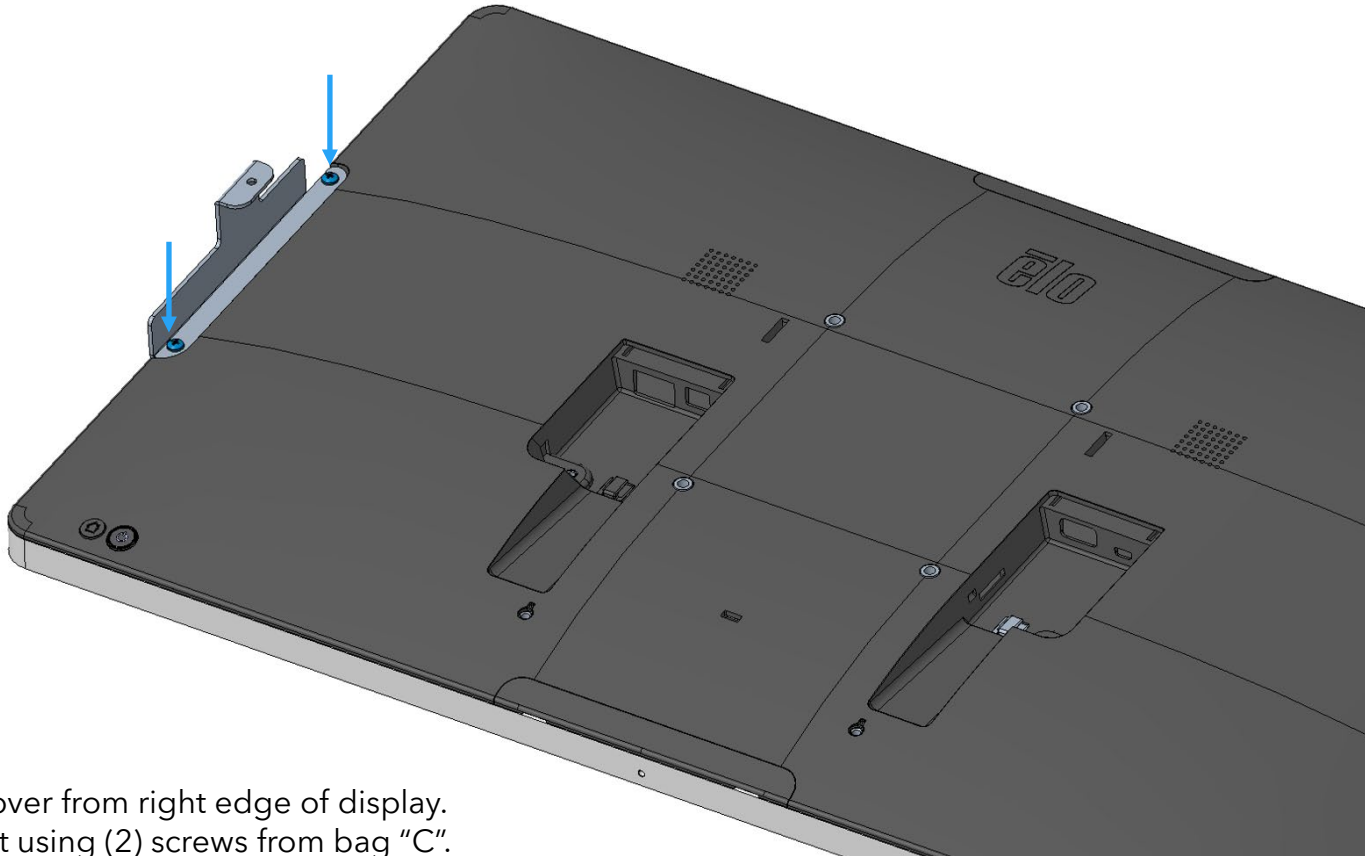


Route EMV terminal cable and tie-wrap.

For portrait installations, setup is  
complete.

For landscape installations, proceed to  
step 7.

## 7



Remove plastic cover from right edge of display.  
Add Edge Bracket using (2) screws from bag "C".  
Use Edge Bracket "15 A" for Android 15"  
Use Edge Bracket "22 A" for Android 22" 2.0/3.0  
Use Edge Bracket "22 A4" for Android 22" 4.0  
Use Edge Bracket "15 W" for Windows 15"  
Use Edge Bracket "22 W" for Windows 22"

Return to Wallaby™ assembly instructions  
(QIG600073/QIG600074) to complete installation.

Learn more about Elo at [EloTouch.com](https://www.elotouch.com).

**Americas**

Tel +1 408 597 8000  
EloSales.NA@elotouch.com

**Europe (EMEA)**

Tel +32 16 930 136  
EMEA.sales@elotouch.com

**Asia Pacific**

Tel +86 (21) 3329 1385  
EloAsia@elotouch.com

The information in this document is subject to change without notice. Elo Touch Solutions, Inc. and its Affiliates (collectively “Elo”) makes no representations or warranties with respect to the contents herein, and specifically disclaims any implied warranties of merchantability or fitness for a particular purpose. Elo reserves the right to revise this publication and to make changes from time to time in the content hereof without obligation of Elo to notify any person of such revisions or changes.

No part of this publication may be reproduced, transmitted, transcribed, stored in a retrieval system, or translated into any language or computer language, in any form or by any means, including, but not limited to, electronic, magnetic, optical, chemical, manual, or otherwise without prior written permission of Elo Touch Solutions, Inc.

Elo, the Elo logo and Wallaby are either trademarks or registered trademarks of Elo Touch Solutions, Inc.