

E458992 KIT-EMV-VF-MX915/M400-ING-ISC250-SQ-4

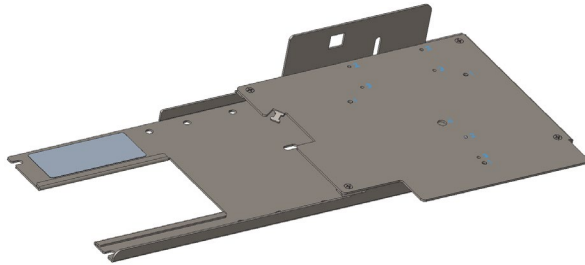
FOR USE ON:

E421137 ELO-STAND-SELF-SERVICE-15-22-COUNTERTOP4

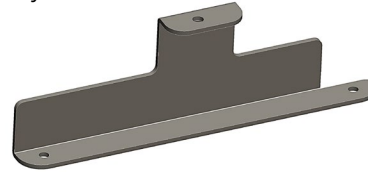
E421325 ELO-STAND-SELF-SERVICE-15-22-FLOOR-TOP4

Contents for Kit:

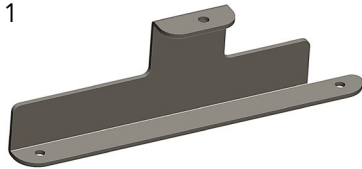
EMV Arm Assembly
Qty. 1



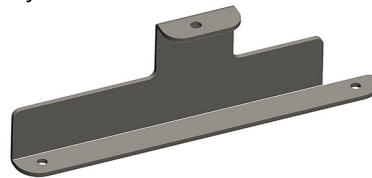
EMV Edge Bracket, 22 Windows
(bag label "22 W")
Qty. 1



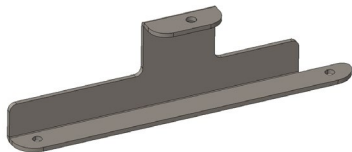
EMV Edge Bracket, 22 Android
2.0/3.0
(bag label "22 A")
Qty. 1



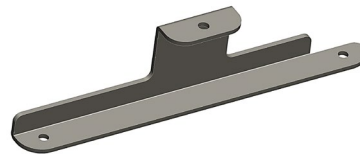
EMV Edge Bracket, 15 Windows
(bag label "15 W")
Qty. 1



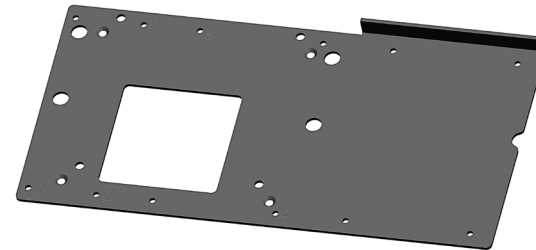
EMV Edge Bracket, 22 Android 4.0
(bag label "22 A4")
Qty. 1



EMV Edge Bracket, 15
Android (bag label "15 A")
Qty. 1



EMV Mount Plate, Long
Qty. 1

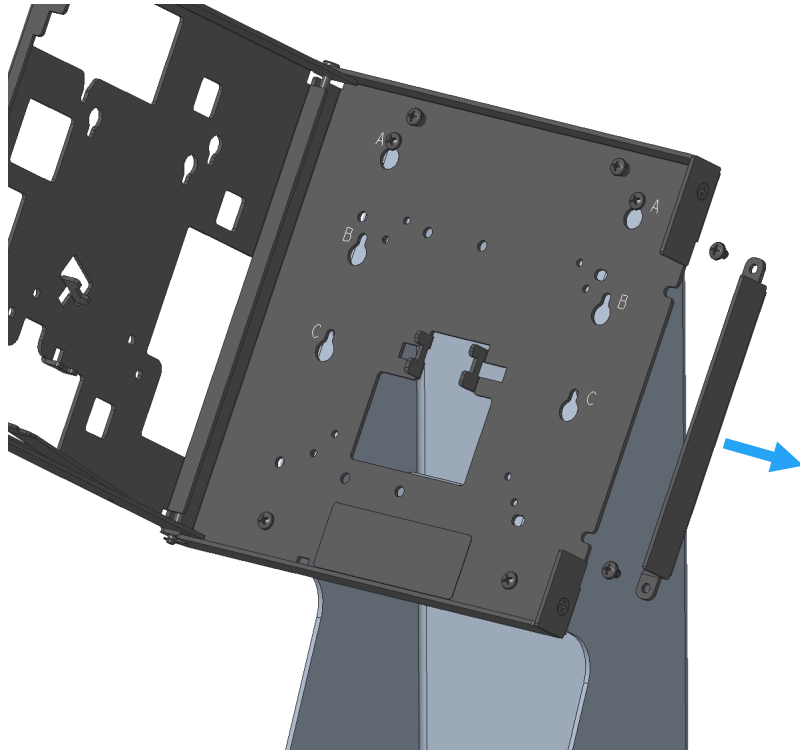


Tie-wrap
Qty. 2



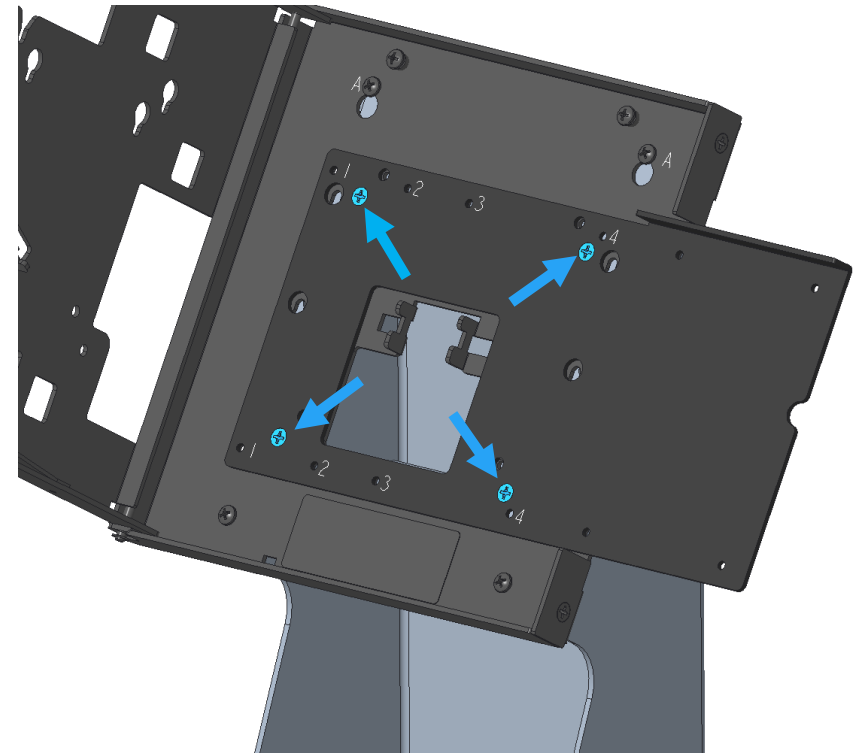
Screws		
Bag C	Qty. 2	SCREW, M3X8, PAN-HEAD, CROSS-RECESS
Bag R	Qty. 4	SCREW, M4X6, FLAT-HEAD, CROSS-RECESS
Bag P	Qty. 8	SCREW, M4X5, PAN-HEAD, CROSS-RECESS
Bag G	Qty. 3	SCREW_M4X10_SPECIAL PAN-HEAD, CROSS-RECESS
Bag H	Qty. 3	SCREW_M3X8_SPECIAL PAN-HEAD, CROSS-RECESS
Bag Q	Qty. 1	SCREW_1/4"x5/16", PAN-HEAD, CROSS-RECESS

1



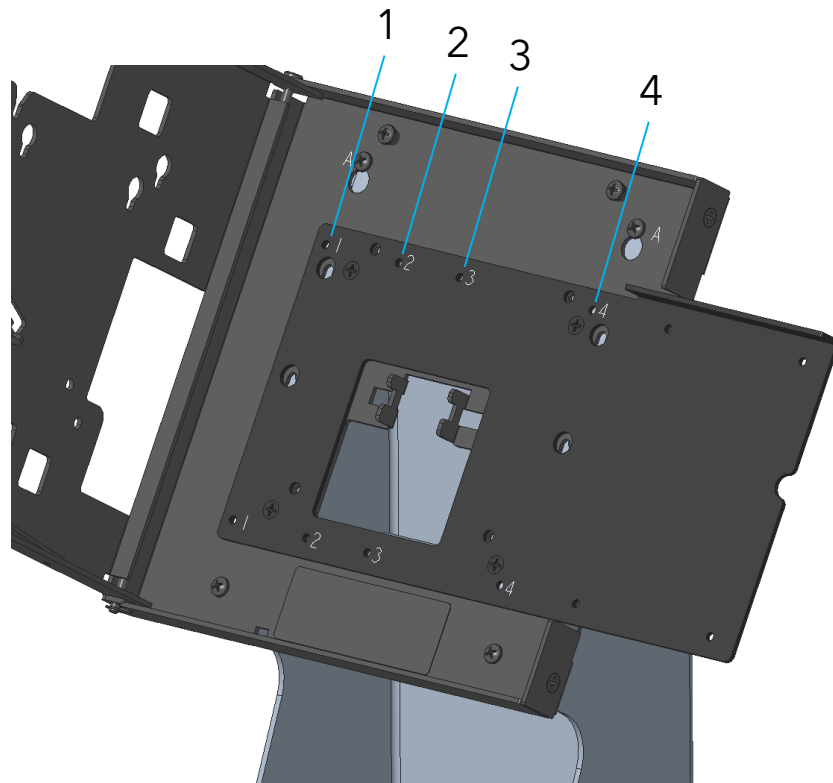
Remove Fill Plate on Display Bracket.

2



Add the EMV Mount Plate to the Display Bracket using (4) screws from bag "R".

3



Add (2) screws to EMV Mount Plate from bag "P" at position 1, 2,3 or 4. Leave ~3mm (1/8") gap (for EMV Arm).

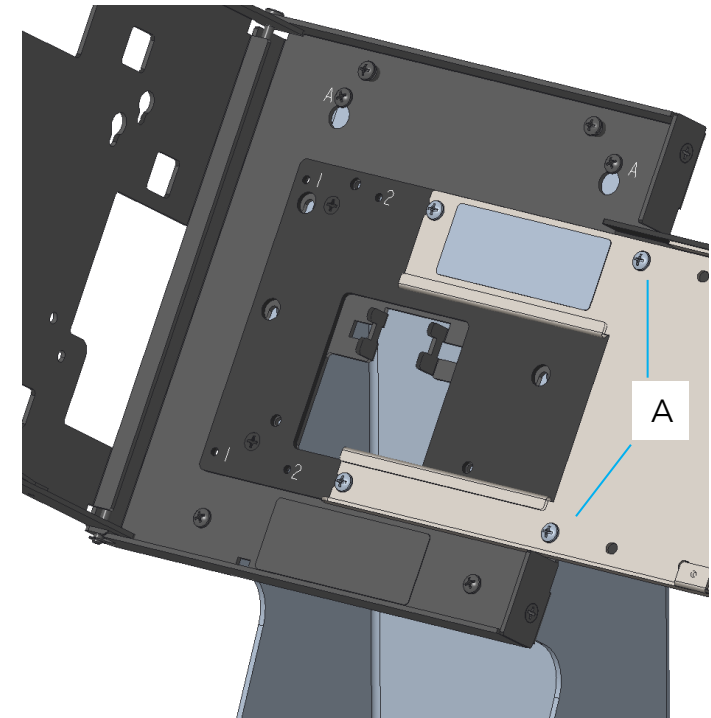
Position "1" for 15" in portrait.

Position "2" for 22" in portrait.

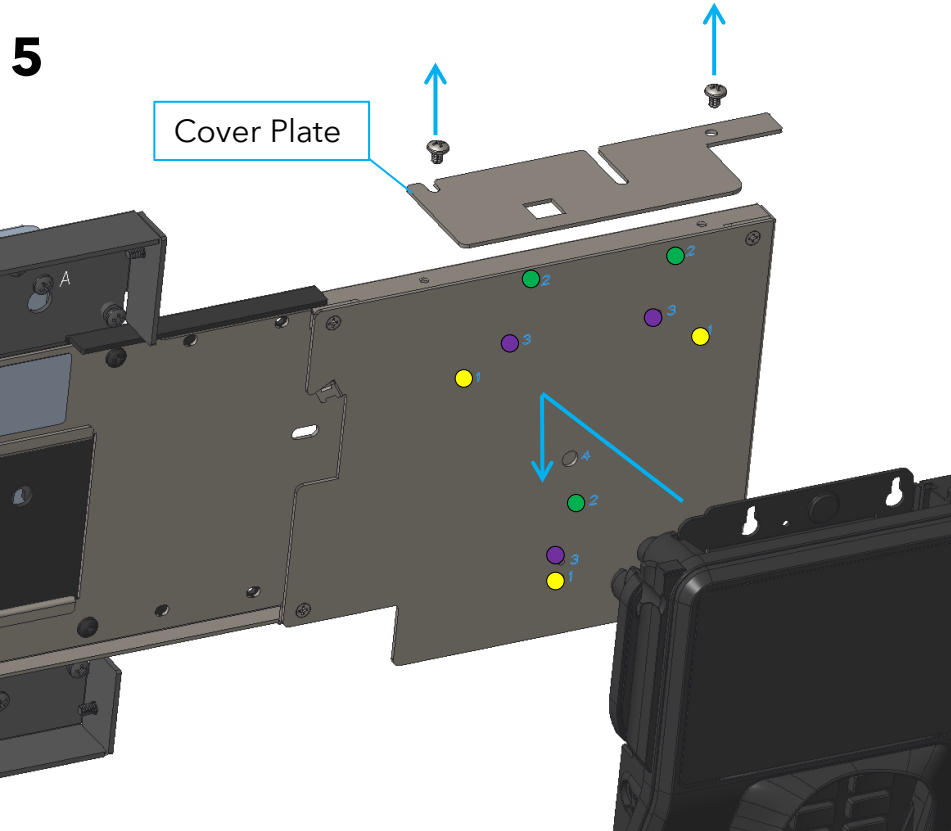
Position "3" for 15" in landscape.

Position "4" for 22" in landscape.

4



Assemble EMV Arm to Display Bracket. Add (2) screws from bag "P" at right most position "A" to secure EMV Arm to Display Bracket.



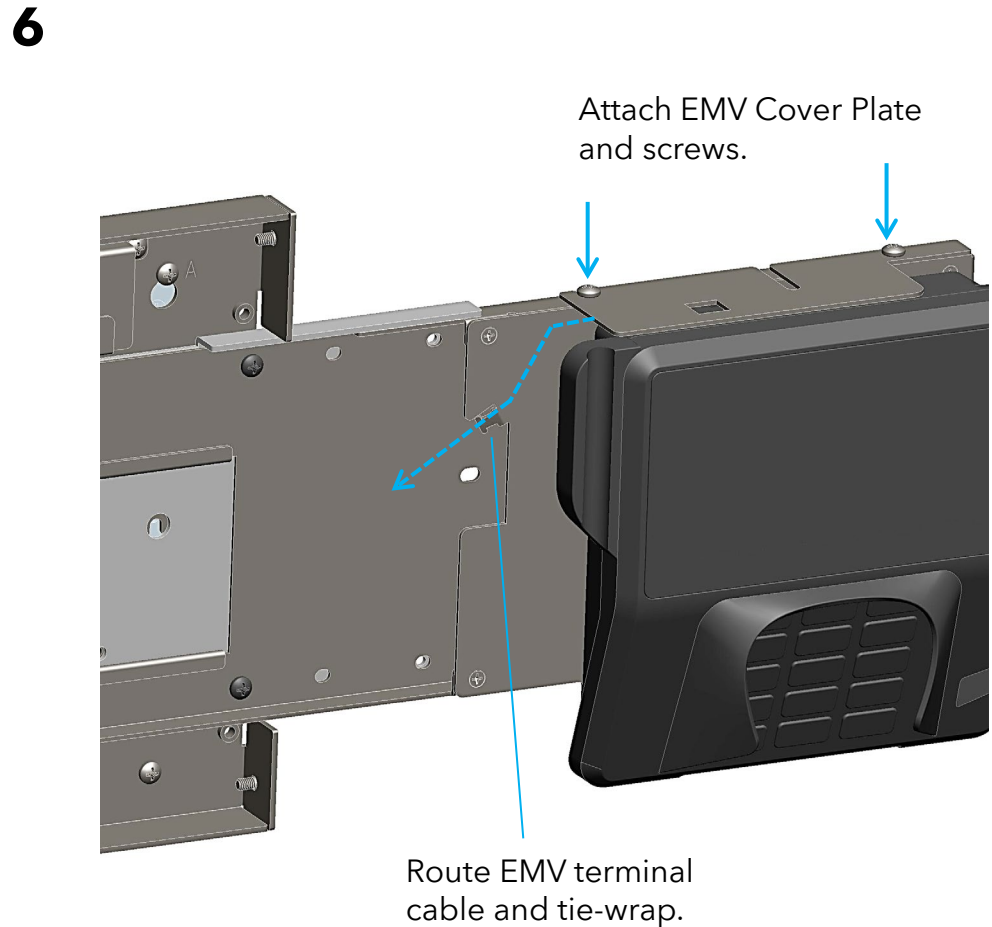
For Square Terminal, skip to step 7.

Remove and save EMV Cover Plate and screws.

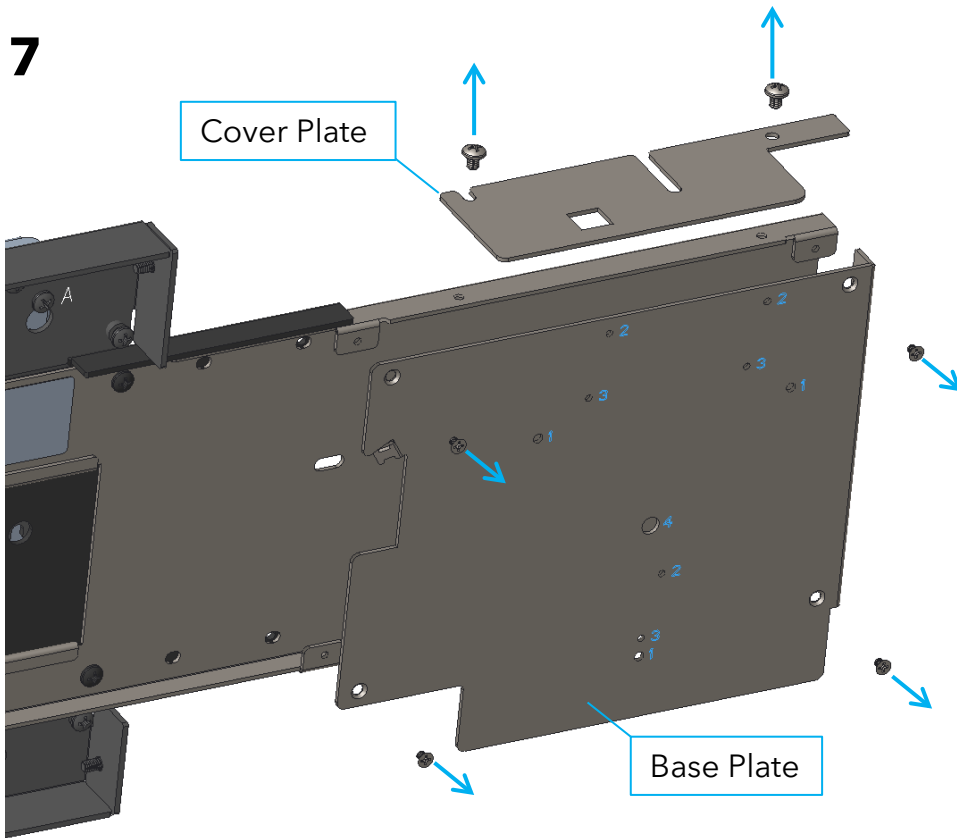
Add (3) screws for mounting EMV terminal:

- Use bag "G" and holes labeled "1" for **Ingenico iSC250**
- Use bag "H" and holes labeled "2" for **Verifone MX915**
- Use bag "H" and holes labeled "3" for **Verifone M400**

Attach EMV terminal cable to terminal and slide terminal onto (3) Arm Assembly screws.



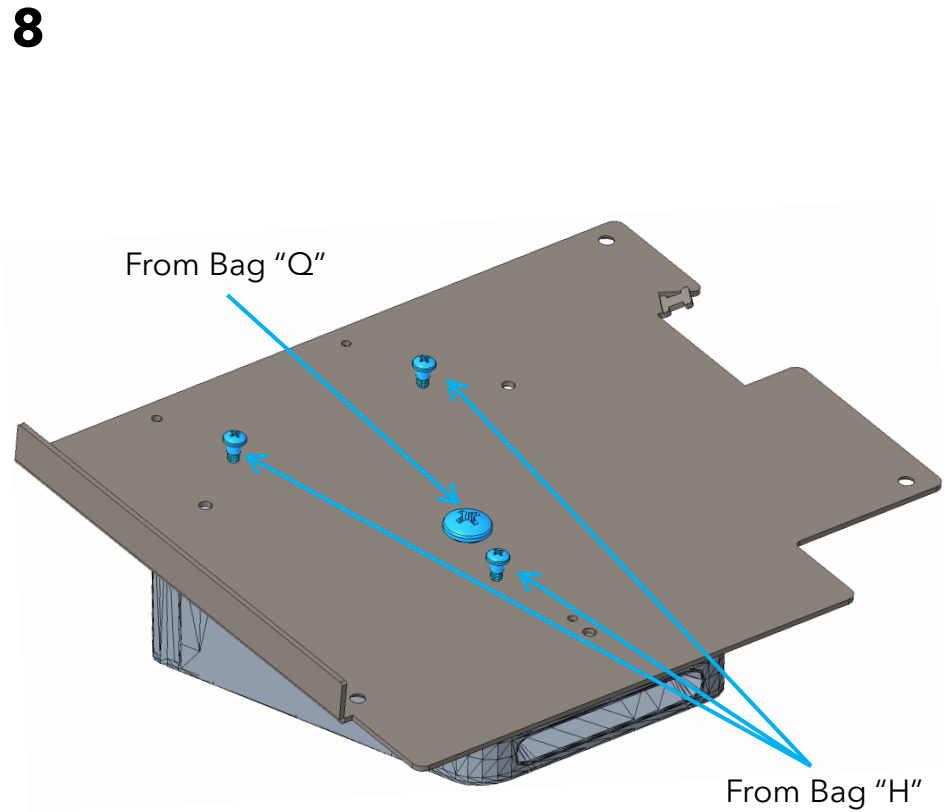
Skip to step **11**



For Square Terminal, skip to step 7.

Remove and discard EMV Cover Plate and M4 screws.

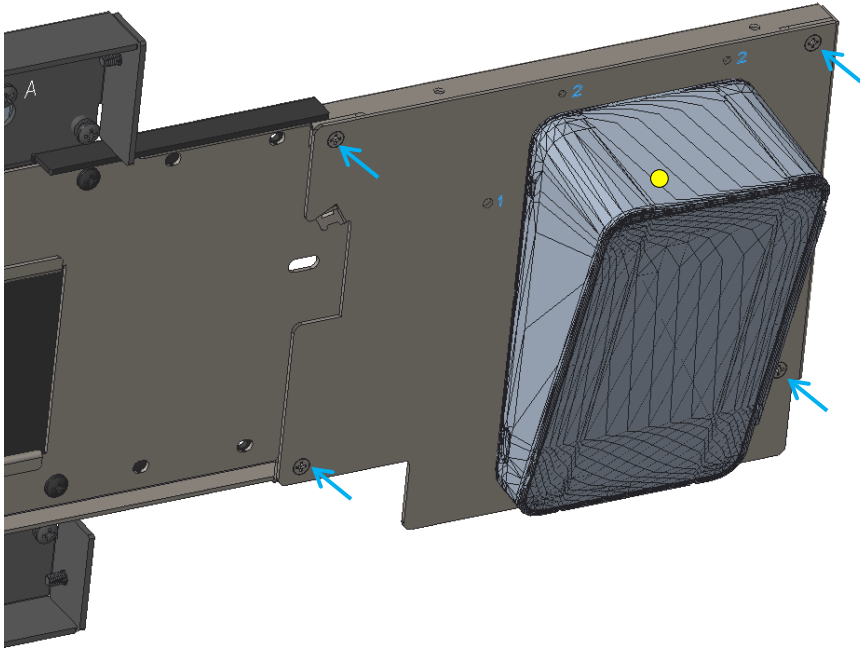
Remove and save Base Plate and M3 screws.



Attach Square Terminal using (1) screw from bag "Q", threading screw into hole on bottom of Square Terminal.

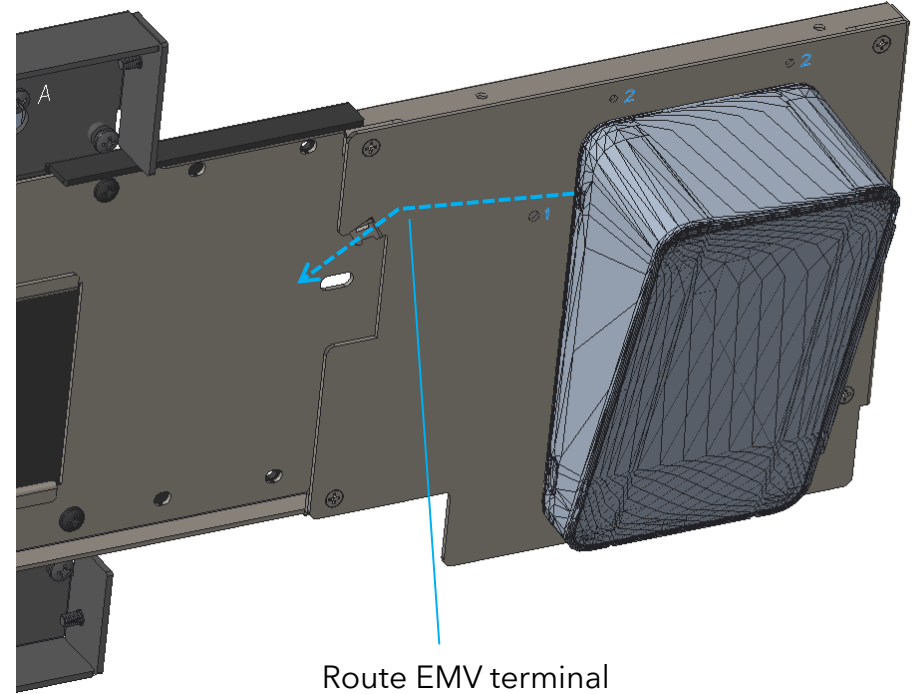
Assemble (3) screws from bag "H" as shown to prevent Square Terminal from rotating. Tighten each screw until resistance is felt.

9



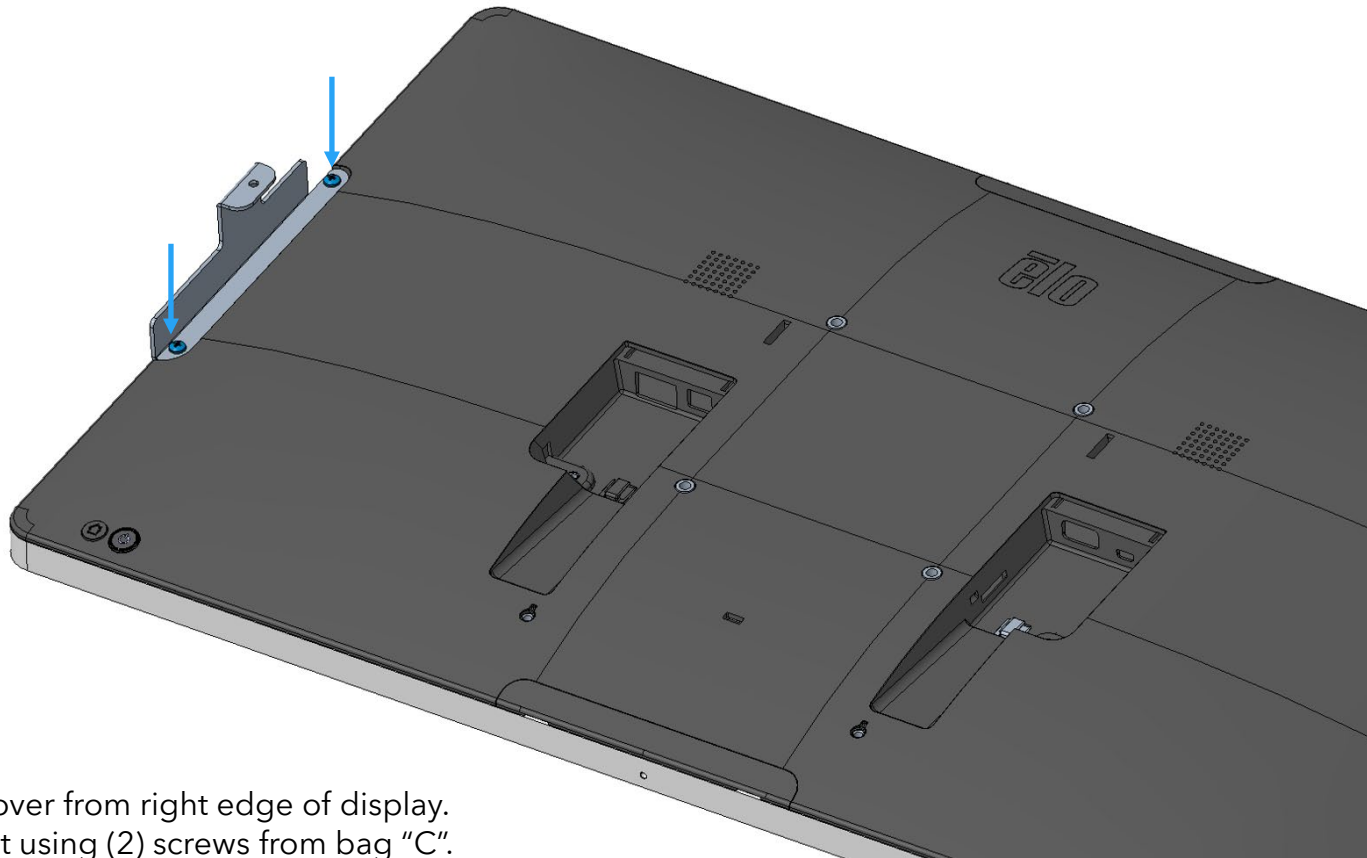
Reinstall Base Plate to arm using M3 screws from step 7.

10



Route EMV terminal cable and tie-wrap.

11



Remove plastic cover from right edge of display.
Add Edge Bracket using (2) screws from bag "C".
Use Edge Bracket "15 A" for Android 15"
Use Edge Bracket "22 A" for Android 22" 2.0/3.0
Use Edge Bracket "22 A4" for Android 22" 4.0
Use Edge Bracket "15 W" for Windows 15"
Use Edge Bracket "22 W" for Windows 22"

Return to Wallaby™ assembly instructions
(QIG600184/QIG600185) to complete installation.

Learn more about Elo at [EloTouch.com](https://www.elotouch.com).

Americas

Tel +1 408 597 8000
EloSales.NA@elotouch.com

Europe (EMEA)

Tel +32 16 930 136
EMEA.sales@elotouch.com

Asia Pacific

Tel +86 (21) 3329 1385
EloAsia@elotouch.com

The information in this document is subject to change without notice. Elo Touch Solutions, Inc. and its Affiliates (collectively “Elo”) makes no representations or warranties with respect to the contents herein, and specifically disclaims any implied warranties of merchantability or fitness for a particular purpose. Elo reserves the right to revise this publication and to make changes from time to time in the content hereof without obligation of Elo to notify any person of such revisions or changes.

No part of this publication may be reproduced, transmitted, transcribed, stored in a retrieval system, or translated into any language or computer language, in any form or by any means, including, but not limited to, electronic, magnetic, optical, chemical, manual, or otherwise without prior written permission of Elo Touch Solutions, Inc.

Elo, the Elo logo and Wallaby are either trademarks or registered trademarks of Elo Touch Solutions, Inc.