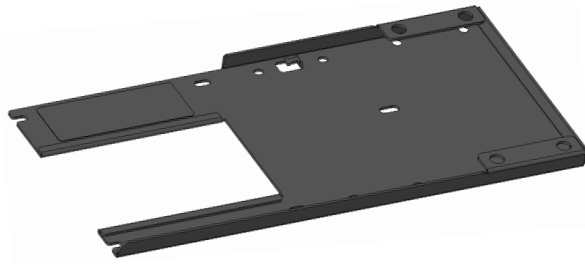


E458605 KIT-EMV-ING-LANE3000-4

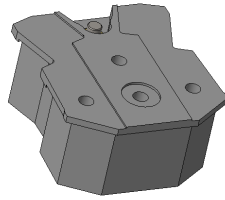
FOR USE ON:

E421137 ELO-STAND-SELF-SERVICE-15-22-COUNTERTOP4

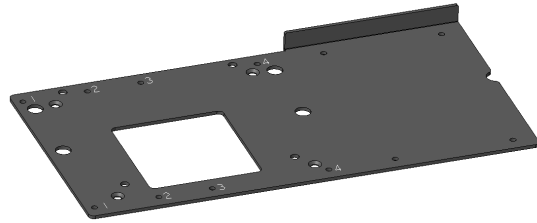
E421325 ELO-STAND-SELF-SERVICE-15-22-FLOOR-TOP4



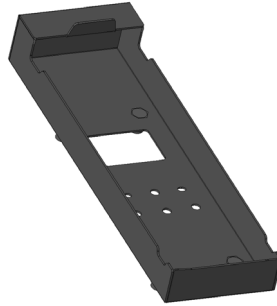
EMV Arm Assembly
Qty. 1



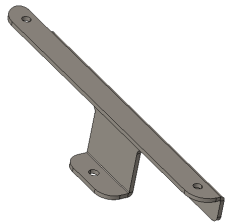
Universal Mount (bag A)
Qty. 1



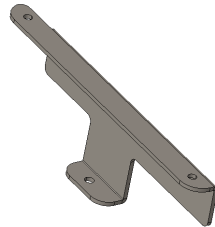
EMV Mount Plate, Long
Qty. 1



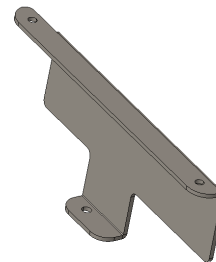
EMV Shroud
Qty. 1



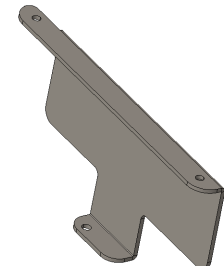
EMV Edge Bracket, 15 Android
(bag label "15 A")
Qty. 1



EMV Edge Bracket, 22 Android
(bag label "22 A")
Qty. 1



EMV Edge Bracket, 15 Windows
(bag label "15 W")
Qty. 1



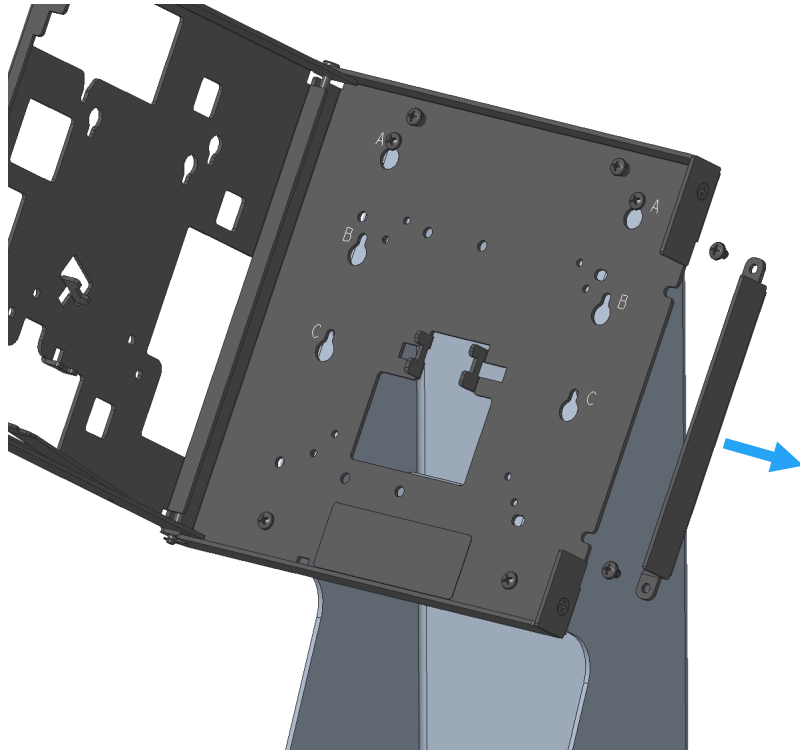
EMV Edge Bracket, 22 Windows
(bag label "22 W")
Qty. 1



EMV Edge Bracket, 22 Android 4.0
(bag label "22 A4")
Qty. 1

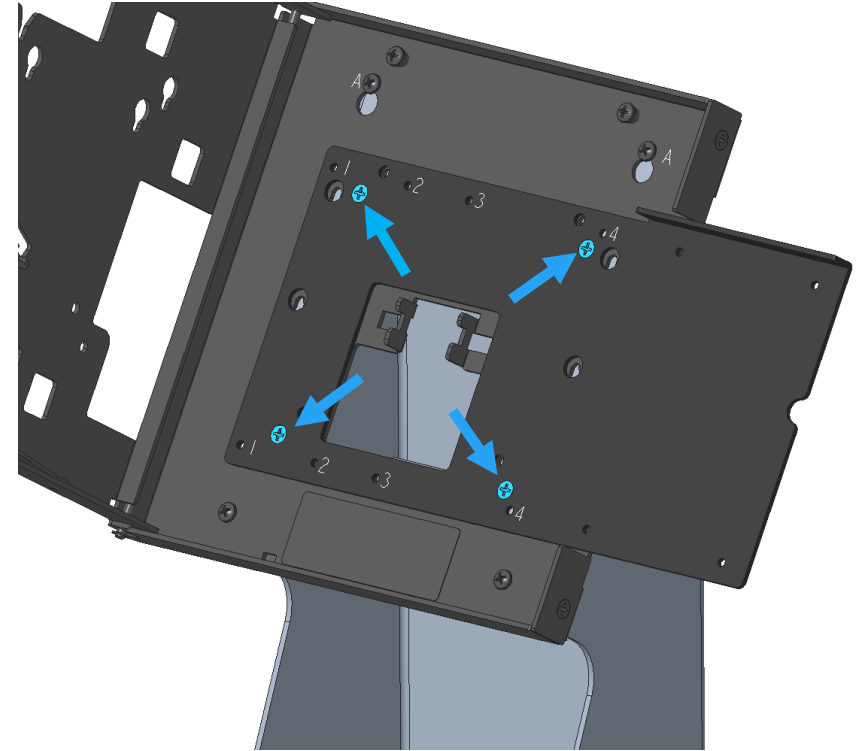
Hardware		
Bag B	Qty.4	SCREW, M4X8, PAN-HEAD, CROSS-RECESS
Bag C	Qty.2	SCREW, M3X8, PAN-HEAD, CROSS-RECESS
Bag D	Qty.2	Cable Tie
Bag P	Qty.4	SCREW, M4X5, PAN-HEAD, CROSS-RECESS
Bag R	Qty.8	SCREW, M4X6, FLAT-HEAD, CROSS-RECESS

1



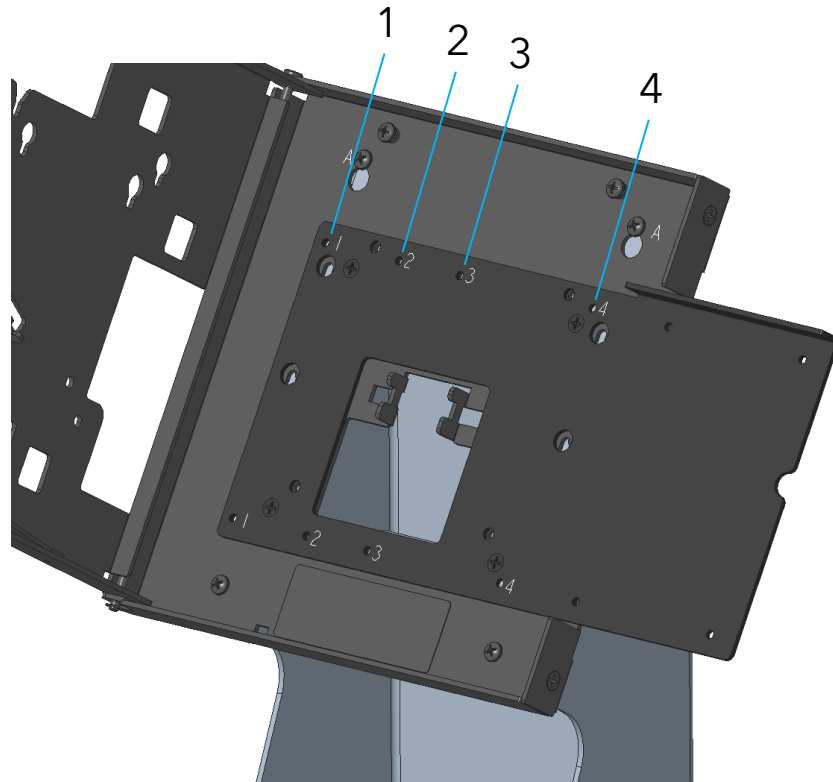
Remove Fill Plate on Display Bracket.

2



Add the EMV Mount Plate to the Display Bracket using (4) screws from bag "R".

3



Add (2) screws to EMV Mount Plate from bag "P" at position 1, 2,3 or 4. Leave ~3mm (1/8") gap (for EMV Arm).

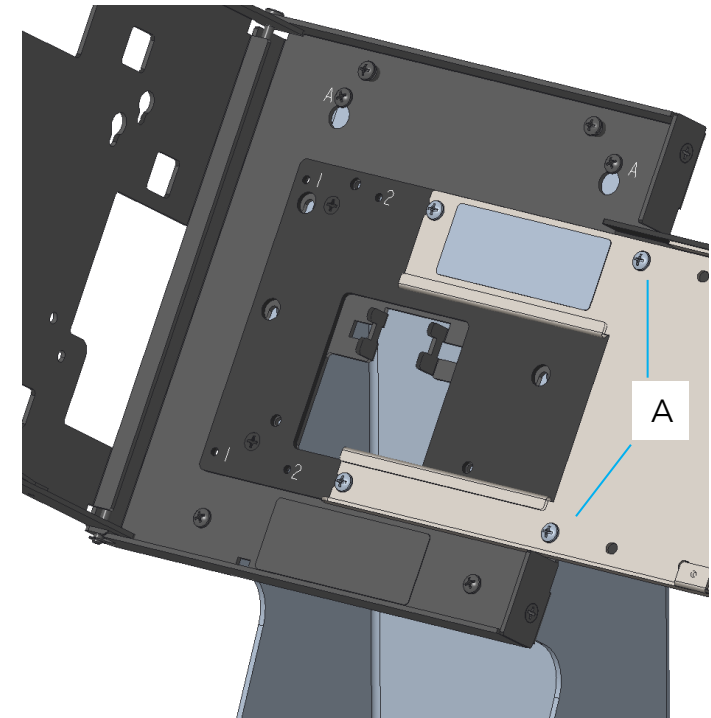
Position "1" for 15" in portrait.

Position "2" for 22" in portrait.

Position "3" for 15" in landscape.

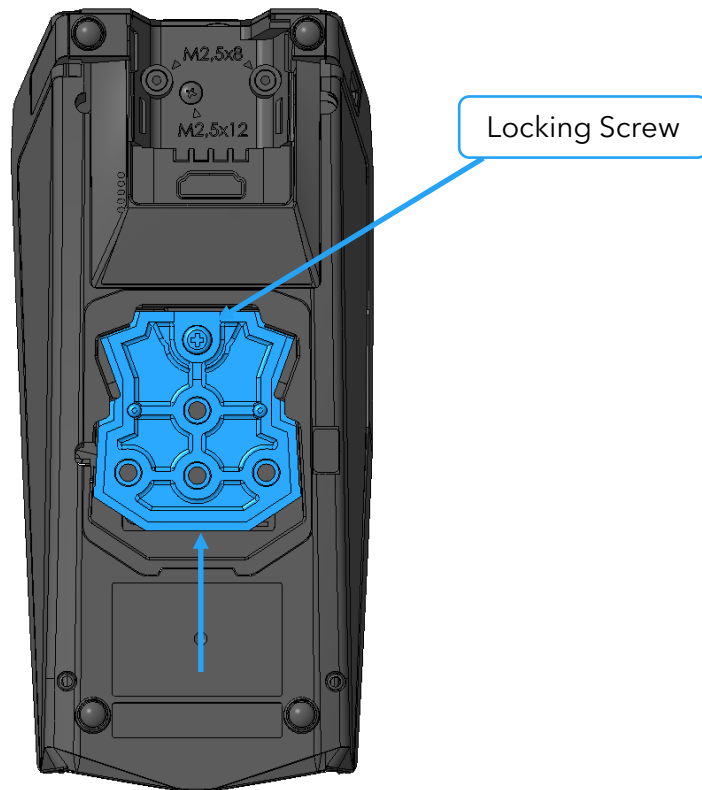
Position "4" for 22" in landscape.

4



Assemble EMV Arm to Display Bracket. Add (2) screws from bag "P" at right most position "A" to secure EMV Arm to Display Bracket.

5



Locate universal mount from bag "A". Assemble universal mount to bottom of EMV terminal by sliding upwards as shown.

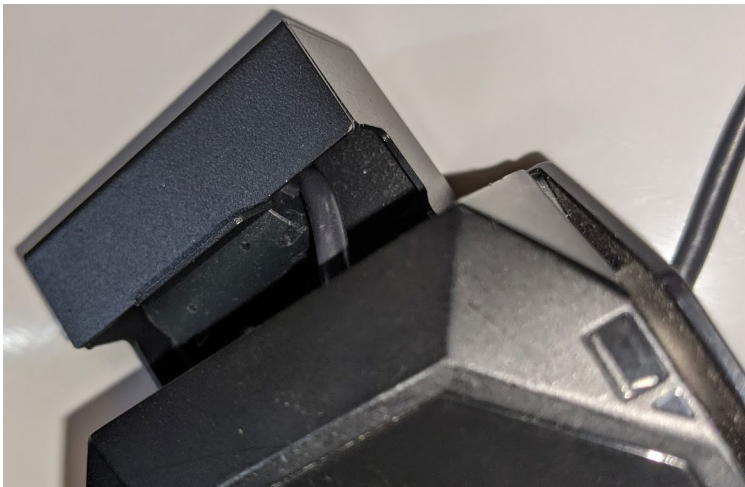
Tighten locking screw.

6



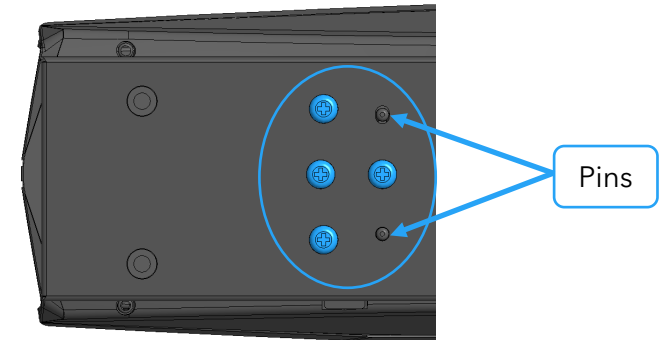
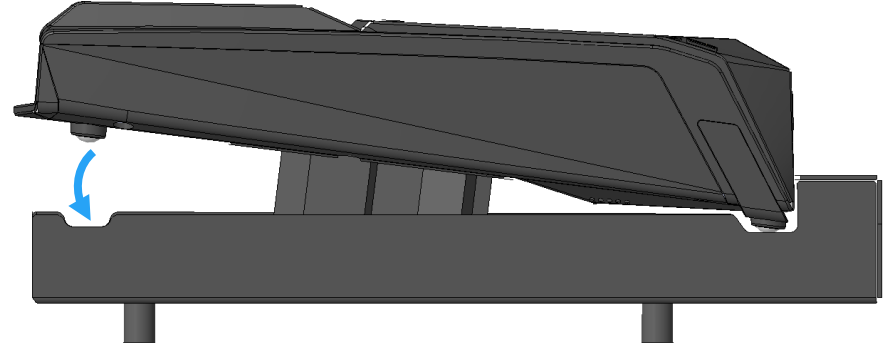
Assemble EMV terminal cable (not included) as shown.

7



Feed EMV terminal cable through hole in shroud as shown. Stow cable ferrite in shroud cavity as shown.

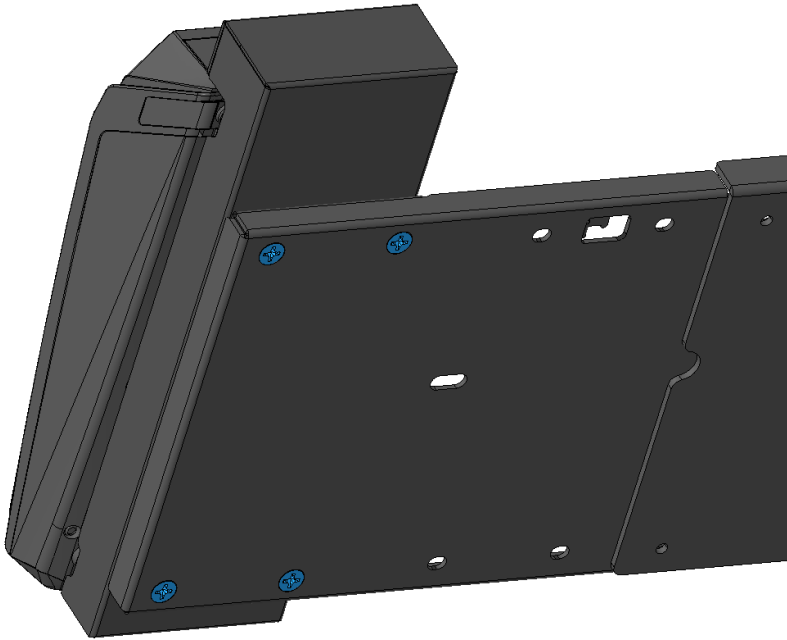
8



Assemble EMV terminal into shroud by tilting down as shown, while pulling excess cable .

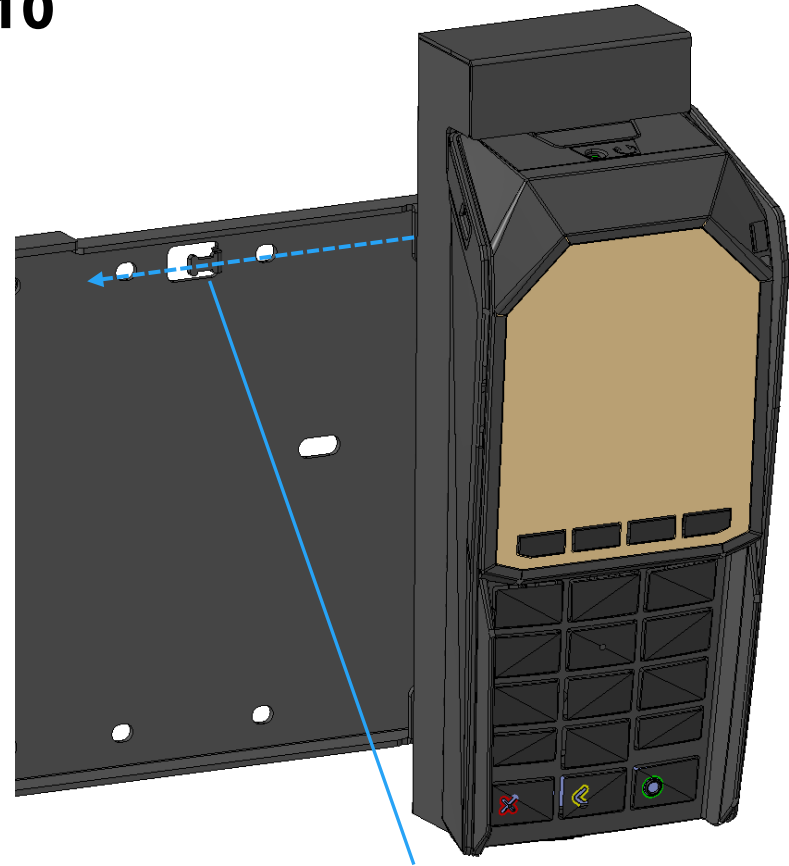
Ensure two pins from universal mount are engage with holes in shroud. Fasten universal mount to shroud by installing four screws from bag B.

9



Assemble shroud to arm using four screws from bag R.

10

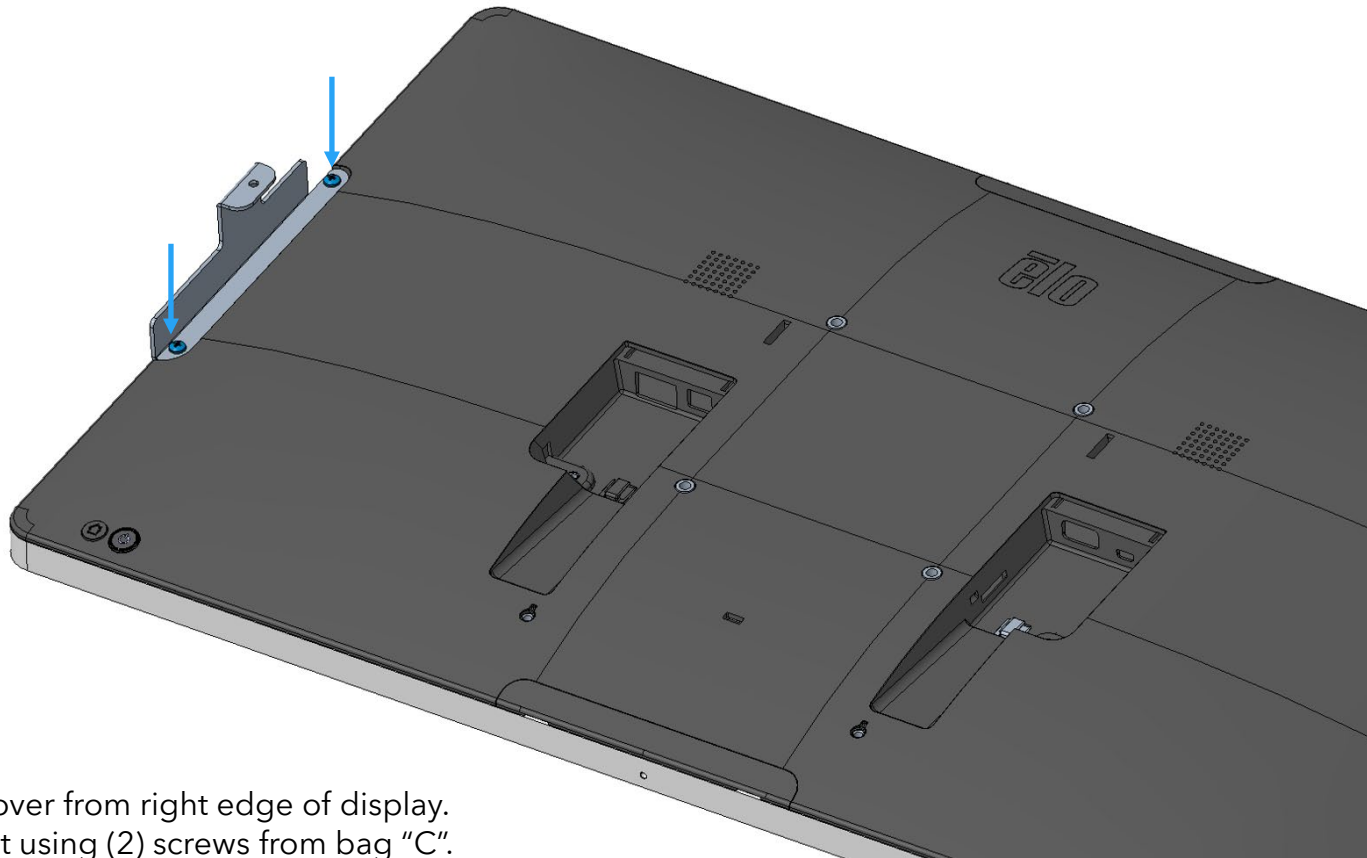


Route EMV terminal cable and tie-wrap.

For portrait installations, setup is complete.

For landscape installations, proceed to step 11.

11



Remove plastic cover from right edge of display.
Add Edge Bracket using (2) screws from bag "C".
Use Edge Bracket "15 A" for Android 15"
Use Edge Bracket "22 A" for Android 22" 2.0/3.0
Use Edge Bracket "22 A4" for Android 22" 4.0
Use Edge Bracket "15 W" for Windows 15"
Use Edge Bracket "22 W" for Windows 22"

Return to Wallaby™ assembly instructions
(QIG600184/QIG600185) to complete installation.

Learn more about Elo at [EloTouch.com](https://elotouch.com).

Americas

Tel +1 408 597 8000
EloSales.NA@elotouch.com

Europe (EMEA)

Tel +32 16 930 136
EMEA.sales@elotouch.com

Asia Pacific

Tel +86 (21) 3329 1385
EloAsia@elotouch.com

The information in this document is subject to change without notice. Elo Touch Solutions, Inc. and its Affiliates (collectively “Elo”) makes no representations or warranties with respect to the contents herein, and specifically disclaims any implied warranties of merchantability or fitness for a particular purpose. Elo reserves the right to revise this publication and to make changes from time to time in the content hereof without obligation of Elo to notify any person of such revisions or changes.

No part of this publication may be reproduced, transmitted, transcribed, stored in a retrieval system, or translated into any language or computer language, in any form or by any means, including, but not limited to, electronic, magnetic, optical, chemical, manual, or otherwise without prior written permission of Elo Touch Solutions, Inc.

Elo, the Elo logo and Wallaby are either trademarks or registered trademarks of Elo Touch Solutions, Inc.