



Box Contents:

- 1x Elo Conference Camera with mounting bracket pre-attached.
- 1x Remote control
- 2x M3 mounting screws
- 1x USB Type C to Type A cable

Troubleshooting

- If the camera produces an image that appears to jitter, check if the camera has been installed securely and if there are any other objects in the area that may be causing vibration.
- If the on screen display menu is flipped try one of these options:
 1. Check that the mirror setting is turned “OFF” in your camera app or conference software.
 2. Press the “Menu” button on the remote control to open the On Screen Display, then hold the “Home” button on the remote control for 5 seconds to activate the OSD flip feature.

Installation Guide

Elo Conference Camera

Revision A
P/N E982518

Learn more about Elo at [EloTouch.com](https://www.elotouch.com)

America

Tel +1 408 597 8000
EloSales.NA@elotouch.com

Europe (EMEA)

Tel +32 16 930 136
EMEA.sales@elotouch.com

Asia Pacific

Tel +86 (21) 3329 1385
EloAsia@elotouch.com

The information in this document is subject to change without notice. Elo Touch Solutions, Inc. and its Affiliates (collectively “Elo”) makes no representations or warranties with respect to the contents herein, and specifically disclaims any implied warranties of merchantability or fitness for a particular purpose. Elo reserves the right to revise this publication and to make changes from time to time in the content hereof without obligation of Elo to notify any person of such revisions or changes.

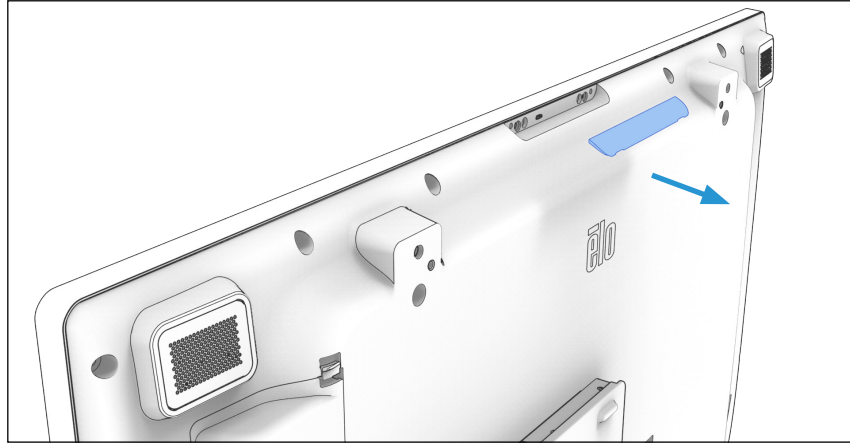
No part of this publication may be reproduced, transmitted, transcribed, stored in a retrieval system, or translated into any language or computer language, in any form or by any means, including, but not limited to, electronic, magnetic, optical, chemical, manual, or otherwise without prior written permission of Elo Touch Solutions, Inc.

Elo and the Elo logo are either trademarks or registered trademarks of Elo Touch Solutions, Inc.

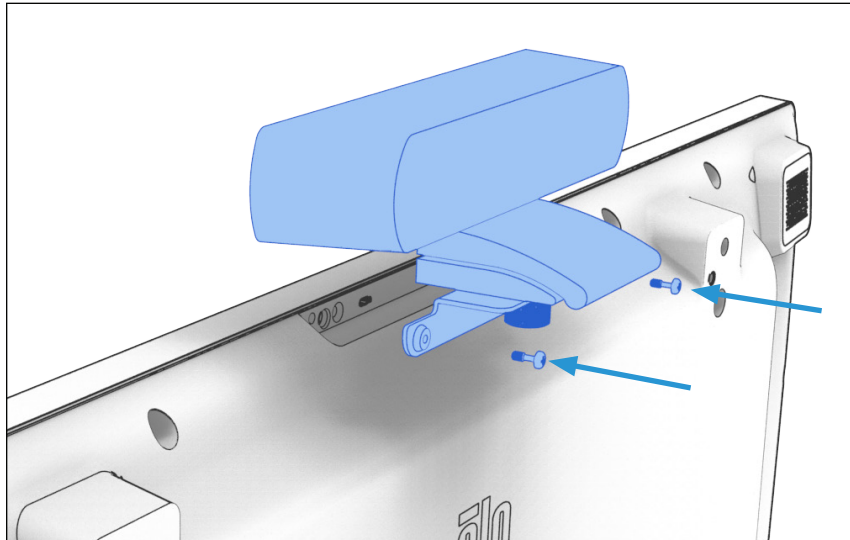


Installation: Elo recommends mounting the camera to the top of the display. Mounting the camera to the side or the bottom will require image rotation via software. Some software programs may not provide a rotation feature.

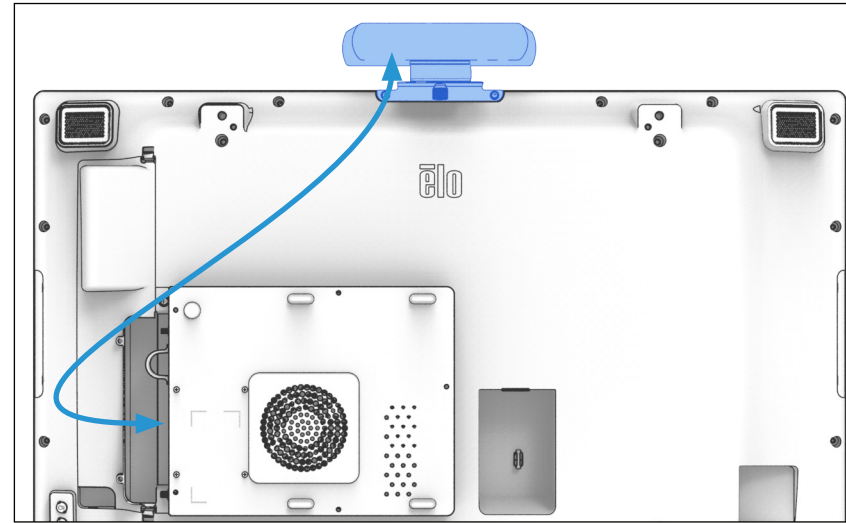
Step 1 - Remove the Elo Edge Connect TM cover from the top of the IDS display by gently pulling with your fingers.



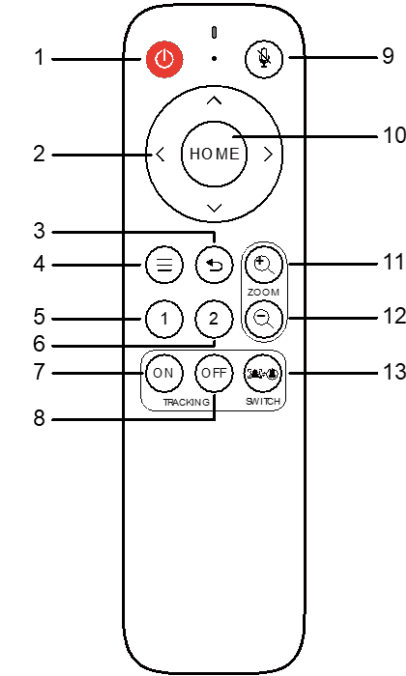
Step 2 - Attach the camera to the display using the two screws (included) and a Phillips head screwdriver (not included).



Step 3 - Connect the camera to the Elo compute device (sold separately), or to a third-party compute device using the USB type C to type A cable (included). To achieve greater compatibility and 4K resolution, Elo recommends connecting the camera to a USB3.0 port.



Step 4 - Launch your camera app or conference software and select “Elo Conference Camera” in the camera drop down menu or settings area.



No.	Name	Function Description
1	Standby Key	Turn on/off or wake up the device.
2	Direction Key	Adjust the menu cursor and menu parameters.
3	Return Key	Return to the upper level of the menu.
4	Menu Key	Open the menu or exit the menu.
5	No. 1 Preset Key	No. 1 preset position, long press for 3 seconds to set the preset position, short press to adjust the preset position.
6	No. 2 Preset Key	No. 2 preset position, long press for 3 seconds to set the preset position, short press to adjust the preset position.
7	TRACKING ON Key	Tracking on key, you need to click the SWITCH button first and then click the "ON button" to turn on the tracking function or automatic frame selection function.
8	TRACKING OFF Key	Tracking off key, when the tracking function or automatic frame selection function is turned on, directly click the "OFF button" to turn off the tracking function or automatic frame selection function.
9	Mute Key	Turn the microphone on or off. When the microphone is turned off, there is a mute icon on the video.
10	HOME Key	When the menu is not turned on, click the "HOME button" to restore to the state of the maximum angle of view without calling zoom.
11	ZOOM + Key	Digital Zoom In (zoom in or zoom out is not supported when the tracking function or the automatic frame selection function is turned on).
12	ZOOM - Key	Digital Zoom Out (zoom in or zoom out is not supported when the tracking function or the automatic frame selection function is turned on).
13	SWITCH Key	Click the first "SWITCH Key", the image display is currently the tracking function (target tracking) or automatic frame selection function (auto framing). Click the second "SWITCH Key" to switch the current function.