

Kit Contents

I-Series Touchcomputer
DC Power Supply
1.8m US Power Cable
1.8m EU Power Cable
0.9m RJ50 to DB9 Serial Cable
2x Cable Tie
4x M4x12 Screw



Quick Installation Guide

I-Series 3 with Intel®

Revision A
P/N E561149

Learn more about Elo at [EloTouch.com](https://www.elotouch.com)

Americas

Tel +1 408 597 8000
EloSales.NA@elotouch.com

Europe (EMEA)

Tel +32 16 930 136
EMEA.sales@elotouch.com

Asia Pacific

Tel +86 (21) 3329 1385
EloAsia@elotouch.com

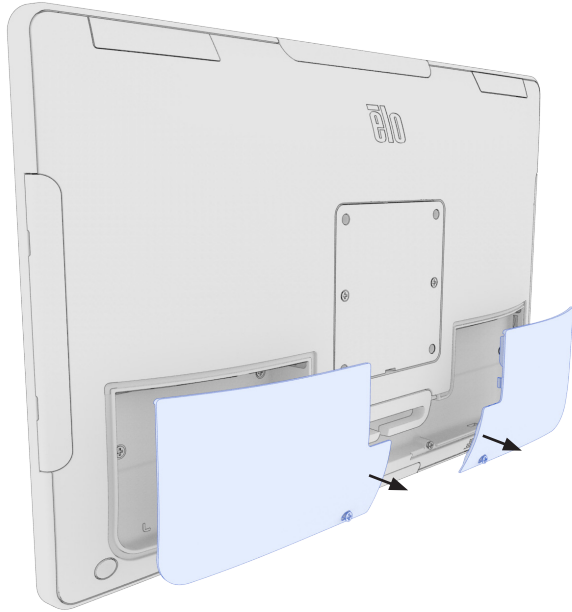
The information in this document is subject to change without notice. Elo Touch Solutions, Inc. and its Affiliates (collectively "Elo") makes no representations or warranties with respect to the contents herein, and specifically disclaims any implied warranties of merchantability or fitness for a particular purpose. Elo reserves the right to revise this publication and to make changes from time to time in the content hereof without obligation of Elo to notify any person of such revisions or changes.

No part of this publication may be reproduced, transmitted, transcribed, stored in a retrieval system, or translated into any language or computer language, in any form or by any means, including, but not limited to, electronic, magnetic, optical, chemical, manual, or otherwise without prior written permission of Elo Touch Solutions, Inc.

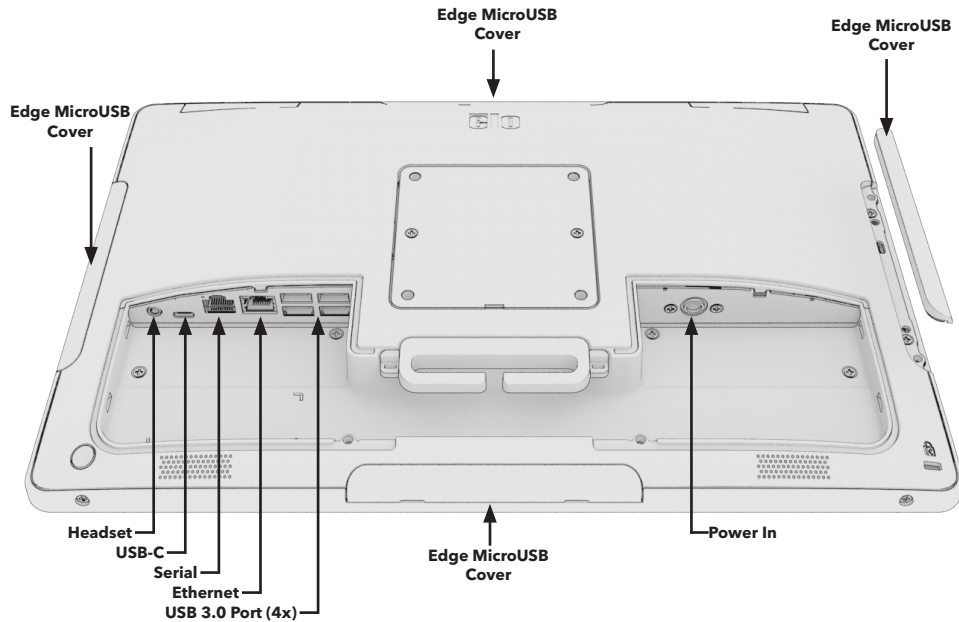
Elo and the Elo logo are either trademarks or registered trademarks of Elo Touch Solutions, Inc.



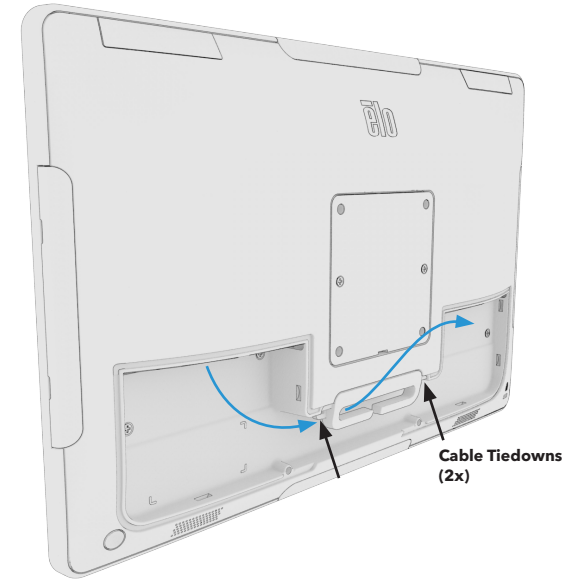
1 Unsnap the cable covers from the display.



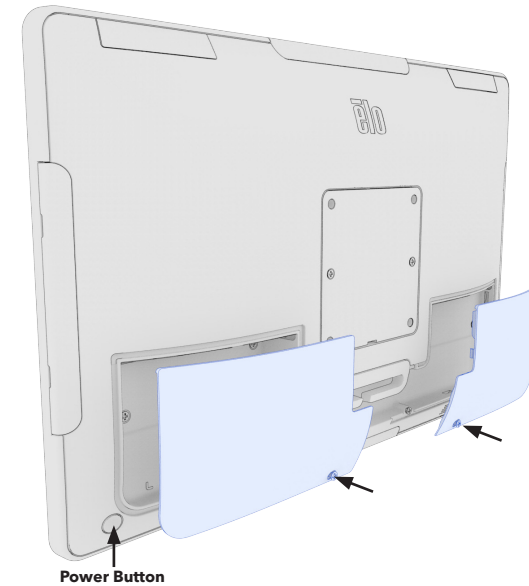
2 Connect the power adapter. Make additional connections as needed. Connect Edge Connect peripherals to edge Micro USB ports by removing covers as shown.



3 Route cables through guide fingers in display. Tie down cables using included Cable Ties at two locations shown.



4 Reinstall the cable covers by snapping into the display and tightening the two screws. Mount on stand or wall using 75mm VESA mounting interface (15.6" model) or 100mm VESA mounting interface (other models) using included M4x12 screws. Press the power button to turn on the Touchcomputer.



See detailed user guide at www.elotouch.com for additional information.