

Box Contents

- 1x E-Series Touchcomputer
- 1x 1.8m EU Power Cable
- 1x 1.8m US Power Cable
- 1x 19V 90W Power Adapter
- 1x 0.9m RJ45 to DB9 Serial Cable
- 1x Cable tie
- 1x Antenna Cover (Non-WiFi SKU only)



EU Battery Regulation

This symbol on the battery(ies) or on the packaging indicates that the battery(ies) provided with this product should not be treated as household waste. Instead, please separate the battery(ies) from other types of waste and recycle them through your local recycling system to protect the environment and health. The chemical symbol for lead (Pb) is added under this symbol if the battery(ies) contains more than 0.004% lead. Additionally, the chemical symbol for cadmium (Cd) is added under this symbol if the battery(ies) contains more than 0.002% cadmium.

For more detailed information about the recycling of these batteries, please contact your local authority or the shop where you purchased the product or batteries.

Learn more about Elo at EloTouch.com

America

Tel +1 408 597 8000
EloSales.NA@elotouch.com

Europe(EMEA)

Tel +32 16 930 136
EMEA.Sales@elotouch.com

Asia-Pacific

Tel +86 (21) 3329 1385
EloAsia@elotouch.com

The information in this document is subject to change without notice. Elo Touch Solutions, Inc. and its Affiliates (collectively "Elo") makes no representations or warranties with respect to the contents herein, and specifically disclaims any implied warranties of merchantability or fitness for a particular purpose. Elo reserves the right to revise this publication and to make changes from time to time in the content hereof without obligation of Elo to notify any person of such revisions or changes.

No part of this publication may be reproduced, transmitted, transcribed, stored in a retrieval system, or translated into any language or computer language, in any form or by any means, including, but not limited to, electronic, magnetic, optical, chemical, manual, or otherwise without prior written permission of Elo Touch Solutions, Inc.

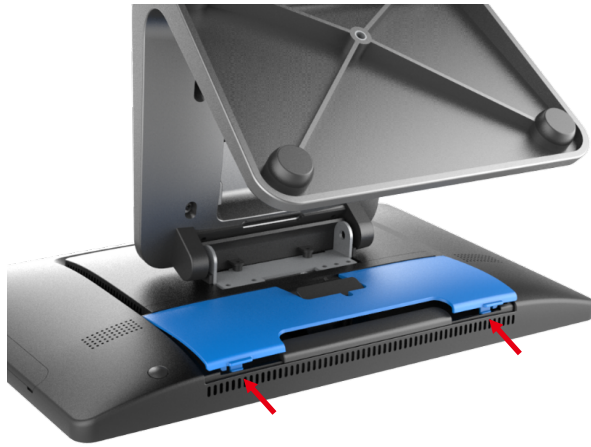
Elo and the Elo logo are either trademarks or registered trademarks of Elo Touch Solutions, Inc.



Quick Installation Guide

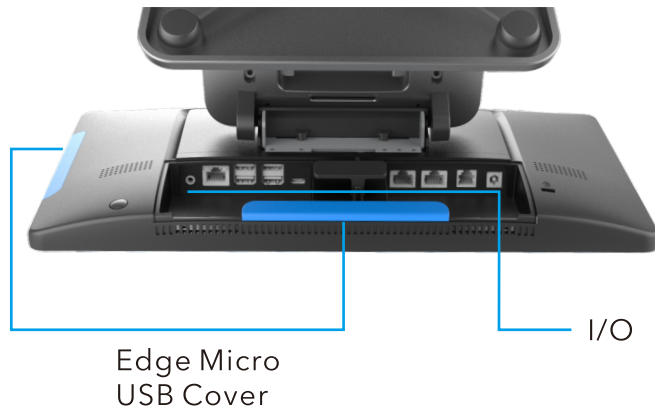
Elo E-Series 3

1



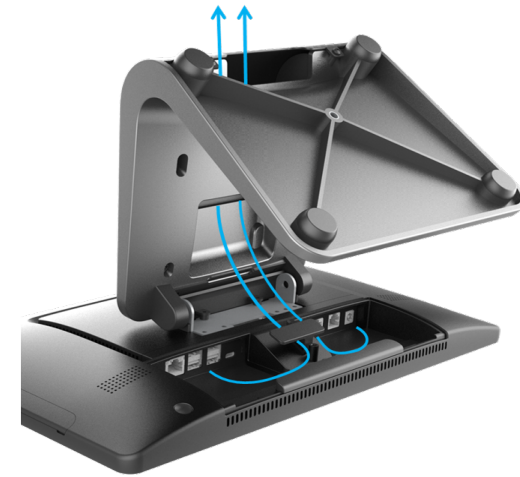
Remove the cable cover.

2



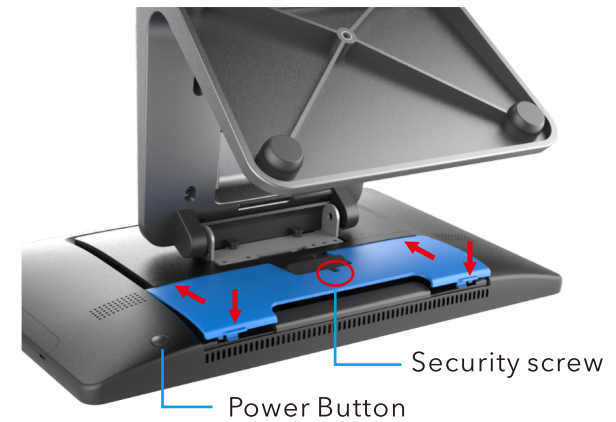
Add cables and Edge Connect acc. as needed.

3



Route cables under routing clip and through stand.

4



Replace cable cover. Screw down security screw attached to cable cover if needed. Press power button.