

# ASSEMBLY INSTRUCTIONS, WALLABY™ PRO COUNTERTOP STAND



**Warning:** Elo recommends using hand tools to assemble the Wallaby™ Pro. The use of power tools may result in damage to the product.

<b>Recommended Assembly Torque</b>	
Thread	Torque
M3	6 in-lb (0.7 N-m)
M4	12 in-lb (1.4 N-m)
M5	26 in-lb (3.0 N-m)
M6	46 in-lb (5.2 N-m)



Stand  
Qty. 1

Cable tie, Medium  
Qty. 15

Cable tie, Large  
Qty. 2  
(E534273 only)

Printer Door (ADA) Bag		
Qty. 1		Printer Door (ADA)
<b>AudioNav Screws (Short)</b>	Qty. 4	Screw, M3x6, Pan Head, Cross Recess, Black
<b>AudioNav Screws (Long)</b>	Qty. 4	Screw, M3x10, Pan Head, Cross Recess, Black

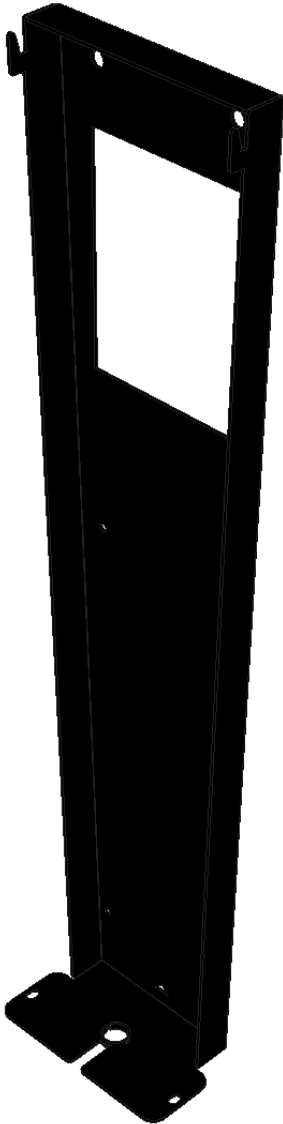
ECMG4 Bracket Bag	
Qty.1	ECMG4 Bracket

Android Backpack Screws Bag	
Qty.4	Screws, M4x27, Flat Head, Cross Recess, Black

VESA Spacer and Screws Bag		
Qty. 1		VESA Spacer
Qty.4		Screw, M4x6, Pan Head, Cross Recess, Black
<b>VESA Screws- Length 14</b>	Qty.4	Screw, M4x14, Flat Head, Cross Recess, Black
<b>VESA Screws- Length 18</b>	Qty.4	Screw, M4x18, Flat Head, Cross Recess, Black
<b>VESA Screws- Length 22</b>	Qty.4	Screw, M4x22, Flat Head, Cross Recess, Black

Cables	
Qty.3	Cable, 0.3m IEC C13 to IEC C14
Qty.3	Cable, 0.3m IEC C5 to IEC C14
Qty.1	Cable, 4.5m IEC C13 to NA (E989127 only)
Qty.1	Cable, 5.0m IEC C13 to EU (E989127 only)
Qty.1	Cable, 5.0m IEC C13 to UK (E989127 only)
Qty.2	Cable, SMA Extension, 18"
Qty.1	Cable, 0.35m ECMG4 to C14
Qty.1	Cable, 1.0m grounding

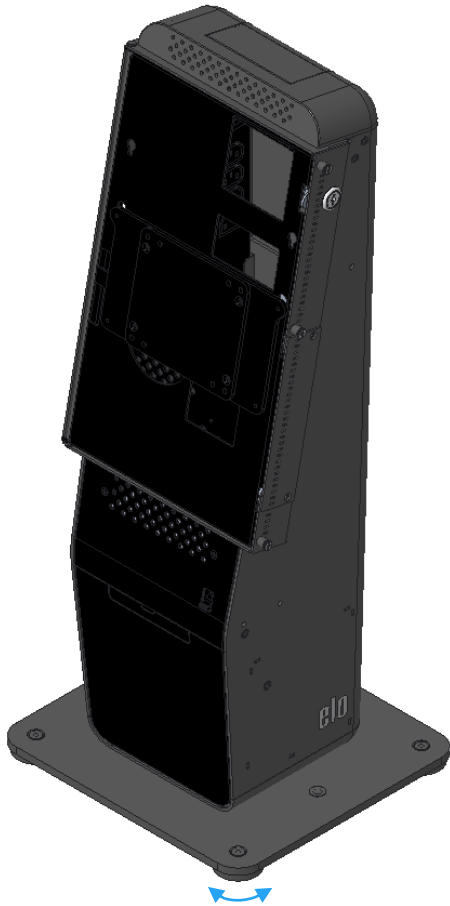
<b>Printer Hardware Bag</b>		
Qty. 1		Printer Bracket 3
Qty. 1		Printer Bracket 4
Qty. 1		Printer Bracket 5
Qty. 1		Printer Chute 2
Qty. 1		Printer Chute 3
Qty. 1		Printer Chute 4
Qty. 1		Printer Filler
<b>Printer Screws-T3x6mm</b>	Qty. 4	Screw, T3x6, Pan Head, Cross Recess, Sheetmetal type, Black
<b>Printer Screws-T3x12mm</b>	Qty. 2	Screw, T3x12, Pan Head, Cross Recess, Sheetmetal type, Black
<b>Printer Screws-T2.5x8mm</b>	Qty. 2	Screw, T2.5x8, Pan Head, Cross Recess, Sheetmetal type, Black
<b>Printer Screws-M4x10mm</b>	Qty. 2	Screw, M4x10, Pan Head, Cross Recess, Sheetmetal type, Black



Wallmount Bracket  
Qty. 1

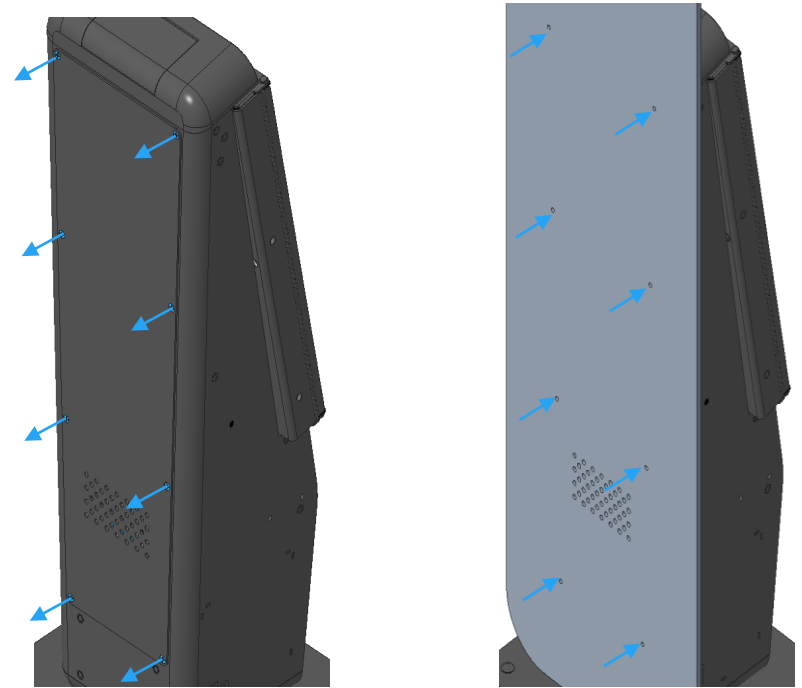
<b>Cables (E990079 only)</b>	
Qty.1	Cable, 0.5m C13 to NA
Qty.1	Cable, 0.5m C13 to EU
Qty.1	Cable, 0.5m C13 to UK

## 1.0 Note: For wallmount installs, skip to step 1.2.



Place stand in final install location. Level base plate by adjusting feet (turning it counter-clockwise lowers the foot, turning it clockwise raises the foot).

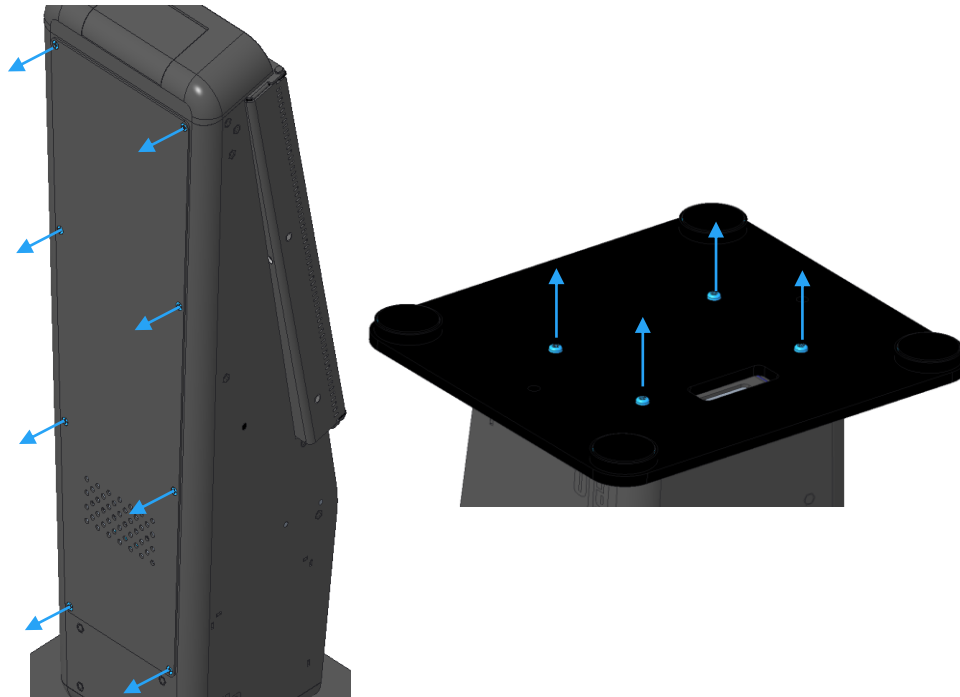
## 1.1 Backer Board Install (Optional)



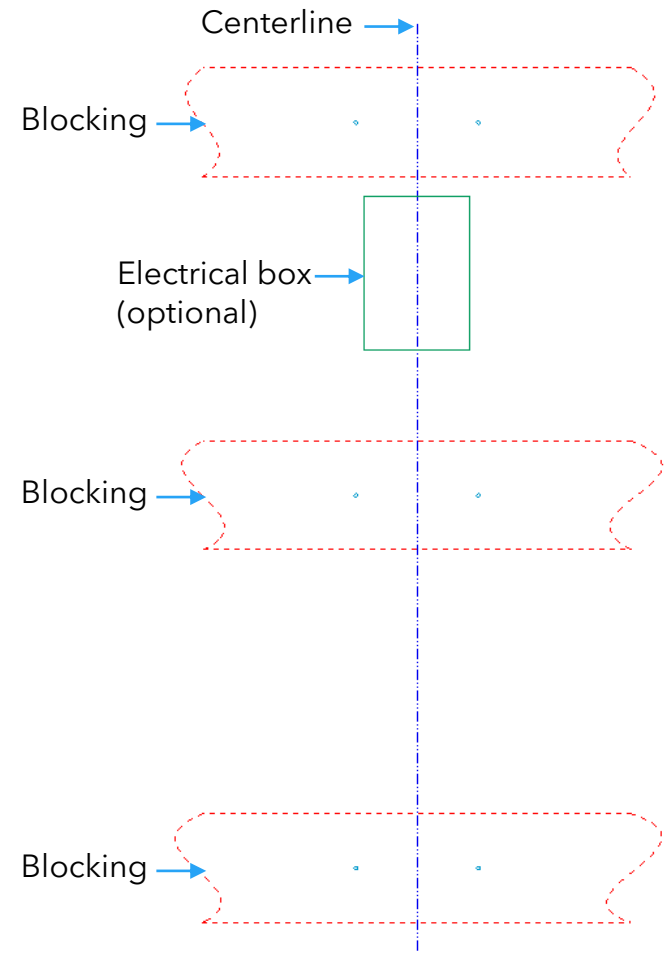
Install backer board (P/N E990854) to stand by removing eight screws on back cover (discard screws and back cover) and installing backer board with screws and washers included with backer board.

# 1.2

## Wall Mount (Optional, requires kit P/N E990079 or E534663)

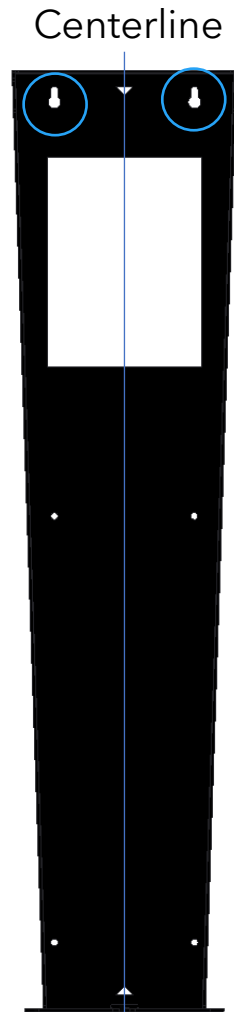


Remove eight screws to remove back cover. Discard screws and back cover.  
 Remove four screws to remove base plate. Discard two screws and base.  
 Reserve two screws.



Prepare wall for mounting (see dimensional drawing MS603018 for details). Install blocking and optional electrical box for AC power/LAN. Draw a plumb (vertical) line to indicate the centerline of the install.

## 1.3



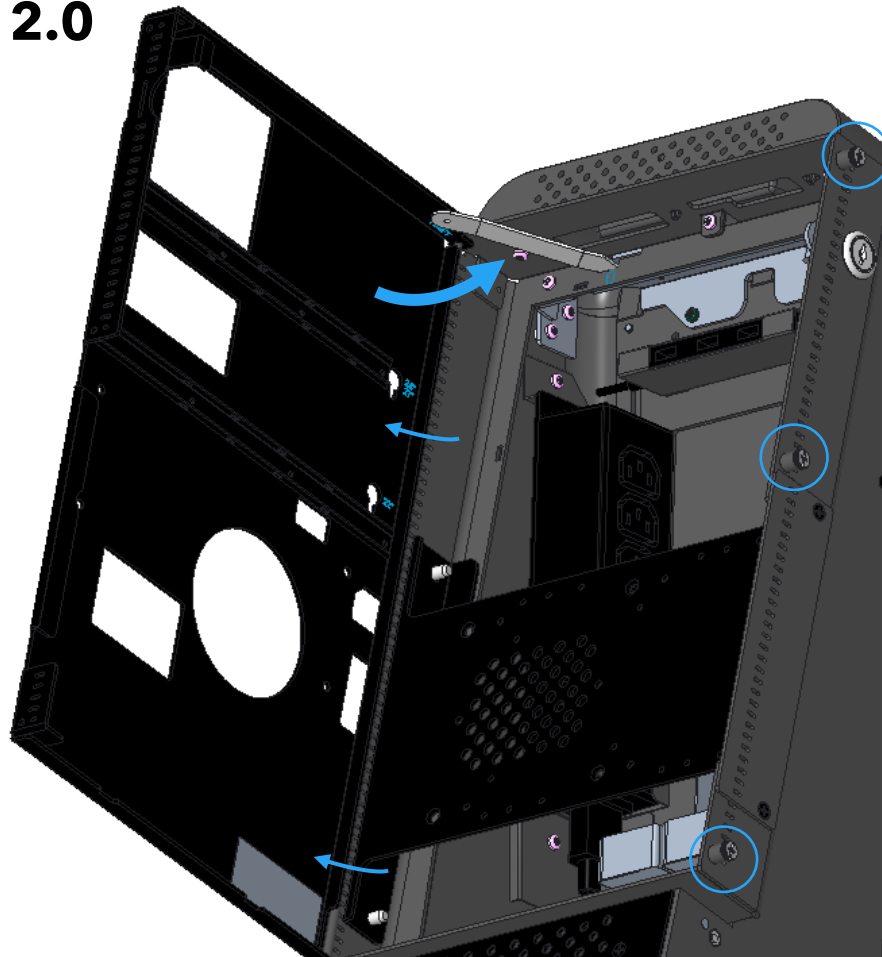
Mounting screws to attach bracket to wall (not included) should be at least M4 (#6) or larger (pan head type). Install top two screws symmetric to centerline, leaving a 1/8" gap under the screw head. Attach bracket by engaging upper keyholes with screws. Attach four additional screws in remaining bracket holes and tighten upper screws fully.

## 1.4



If routing power/LAN from external wall socket, route cables through hole in bottom of stand. Unsnap grommet from wall bracket, and slide cables through split in grommet. Engage hooks on bracket with slots on top rear of stand. Tilt stand bottom in and secure with screws from step 1. Slide grommet up and snap into hole in bottom of wall bracket.

## 2.0



Unscrew display door captive thumbscrews. Open door and engage prop in hole. Next mount the display.

For Android I-Series displays, proceed to step **2.1**.

For Windows I-Series displays, skip to step **2.2**.

For I-Series 3.0 with Intel® displays, skip to step **2.3**.

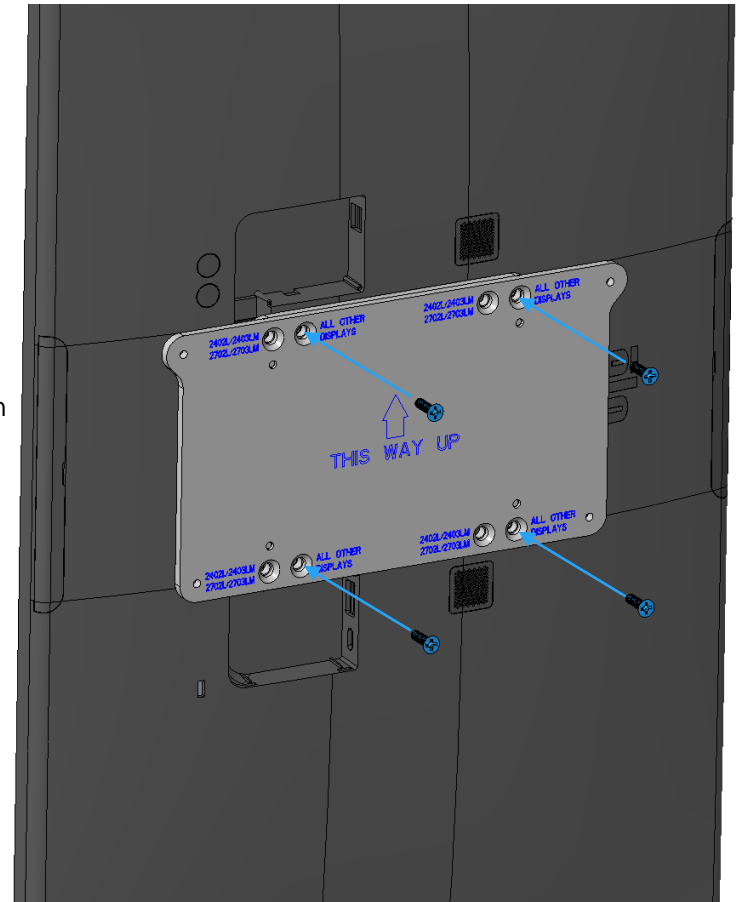
For 2402L/2403LM/2702L/2703LM monitors, skip to step **2.4**.

For 2470L/2770L monitors, skip to step **2.5**.

## 2.1

## Android I-Series

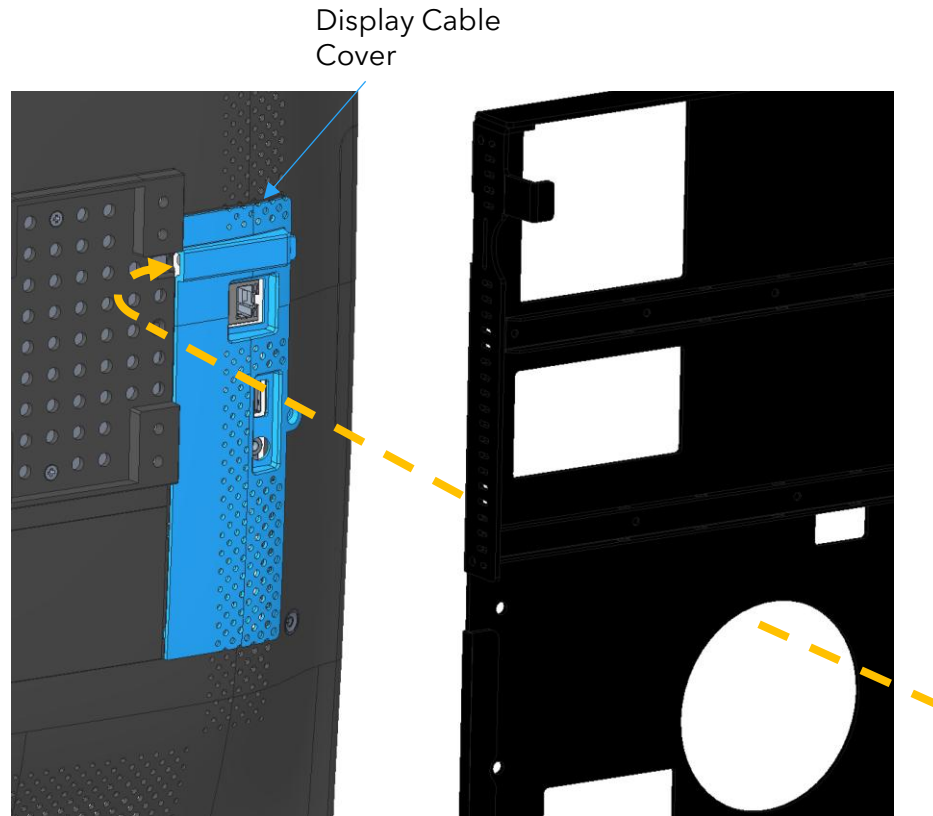
Note  
Display  
Orientation



Remove cable cover doors from display. Attach VESA Spacer to back of display using 14mm screws from "VESA Spacer and Screws" bag. Note display orientation and correct mounting holes for I-Series ("All Other Displays"). Skip to step **2.6**.

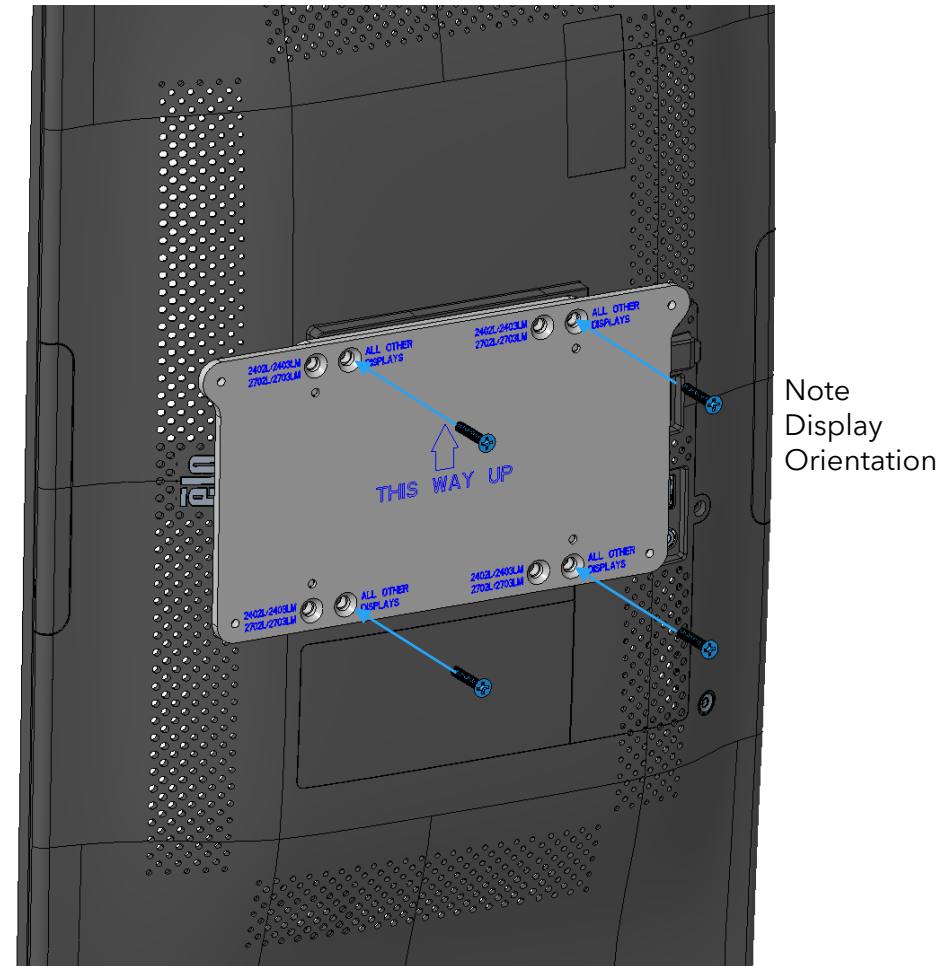
## 2.2

## Windows I-Series 2.0



For Windows I-Series 2.0 displays, it is necessary to install the power adapter to the display before attaching the VESA adapter.

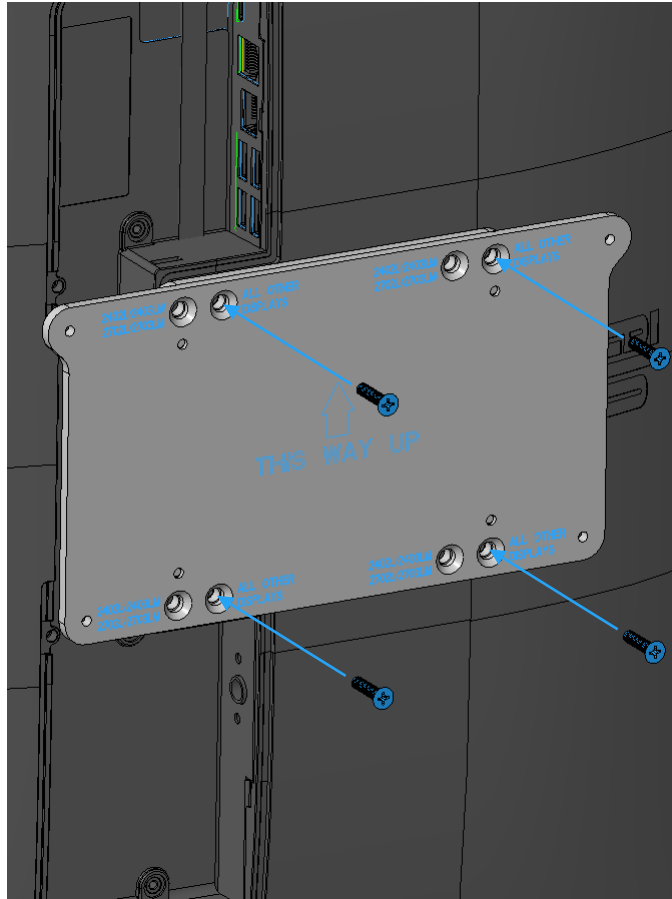
Remove the display cable cover. Thread the **power adapter cable** through the circular hole in the display door as shown and connect it to the display. Reassemble the display cable cover.



Attach VESA Spacer to back of display using 22mm screws from “VESA Spacer and Screws” bag. Note display orientation and use correct mounting holes for I-Series (“All Other Displays”). Skip to step **2.6**.

## 2.3

## I-Series 3.0 with Intel®

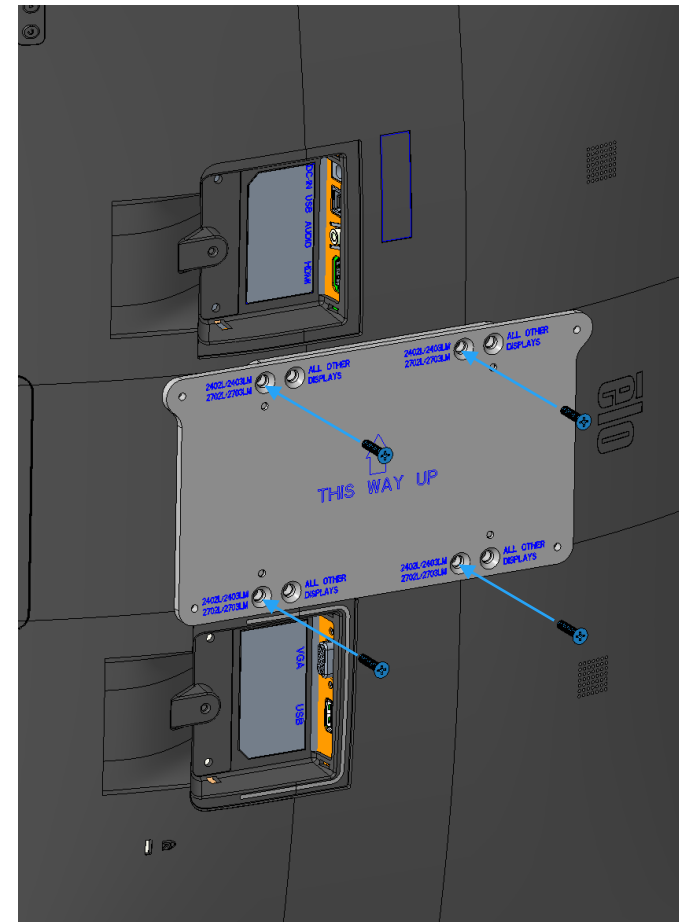


Note  
Display  
Orientation

Attach VESA Spacer to back of display using 18mm screws from “VESA Spacer and Screws” bag. Note display orientation and use correct mounting holes (“All Other Displays”). Skip to step **2.6**.

## 2.4

## 2402L/2403LM/2702L/2703LM Monitors

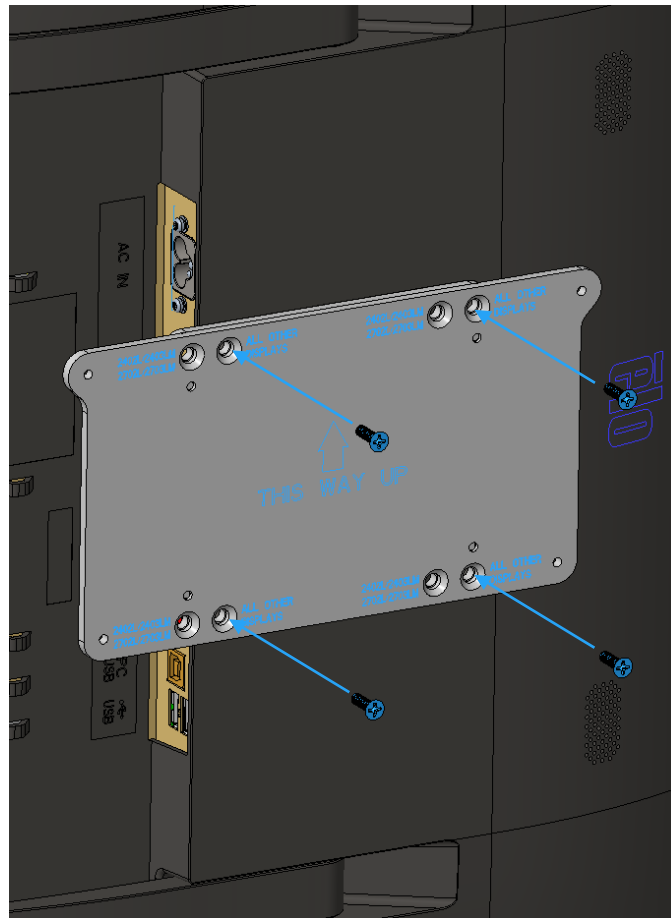


Note  
Display  
Orientation

Remove cable cover doors from display. Attach VESA Spacer to back of display using 18mm screws from “VESA Spacer and Screws” bag. Note display orientation and correct mounting holes (“2402L/2403LM/2702L/2703LM”). Skip to step **2.6**.

## 2.5

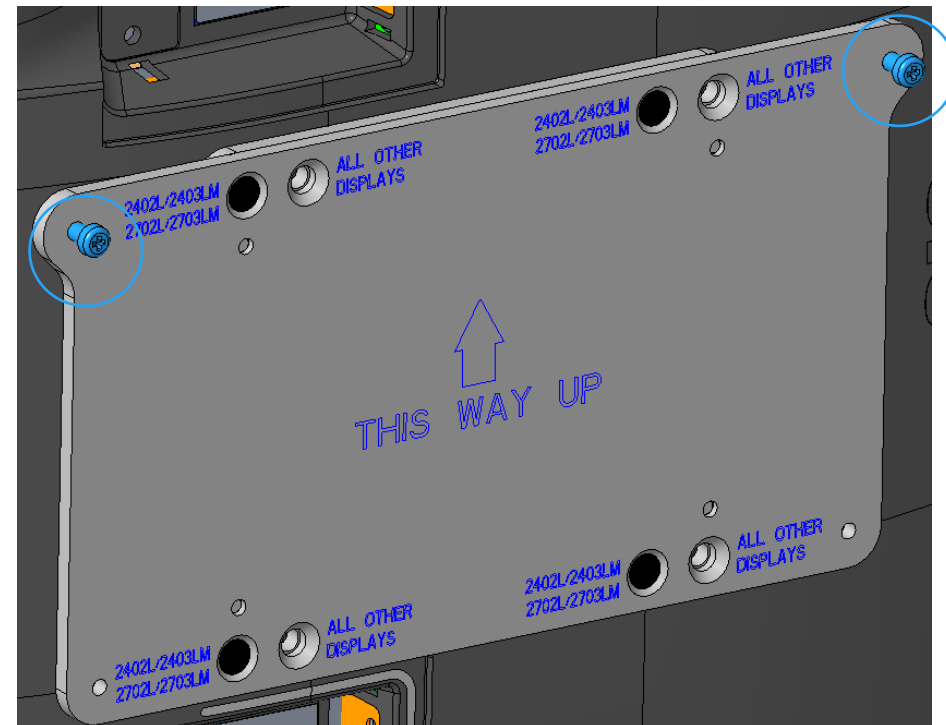
## 2470L/2770L Monitors



Note  
Display  
Orientation

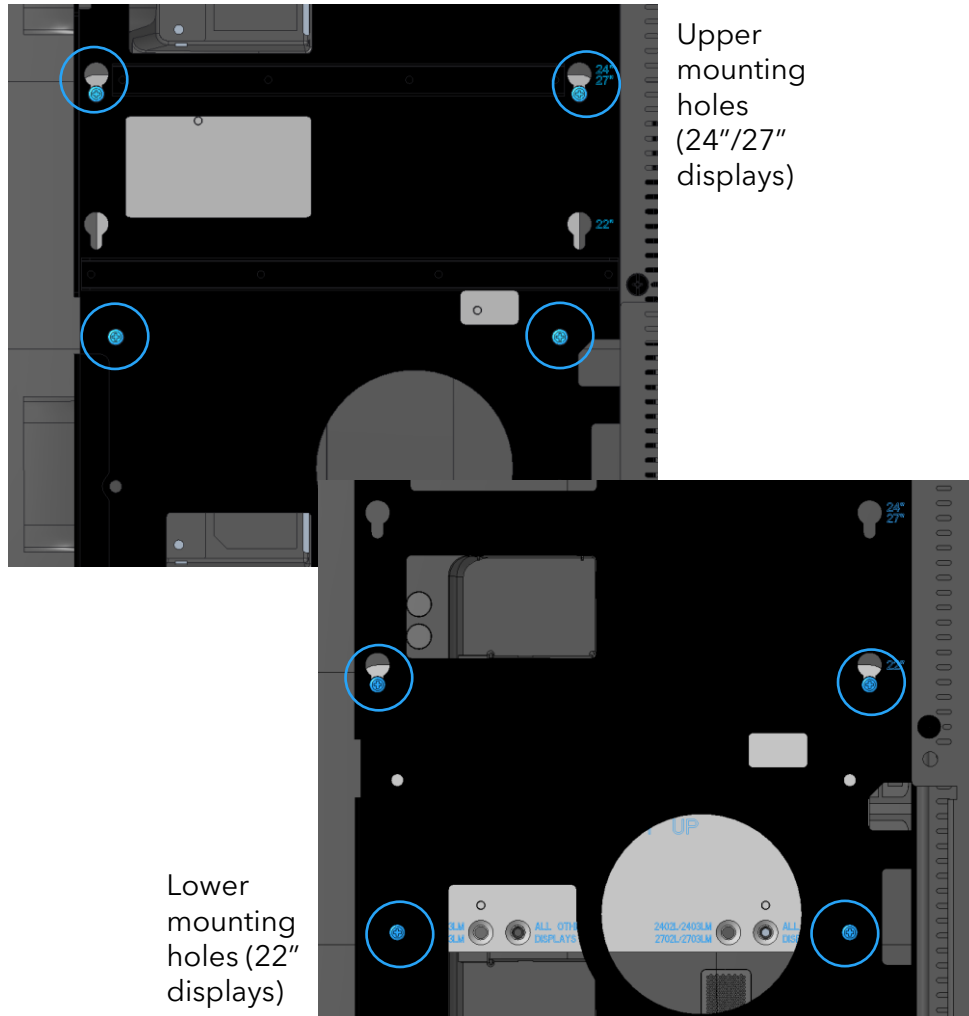
Remove mylar screw covers & four screws from back of display. Attach VESA Spacer to back of display using 14mm screws from "VESA Spacer and Screws" bag. Note display orientation and correct mounting holes ("All Other Displays"). Proceed to step **2.6**.

## 2.6



Loosely install two pan head screws from "VESA Spacer and Screws" bag in upper threaded holes of VESA Spacer.

## 2.7

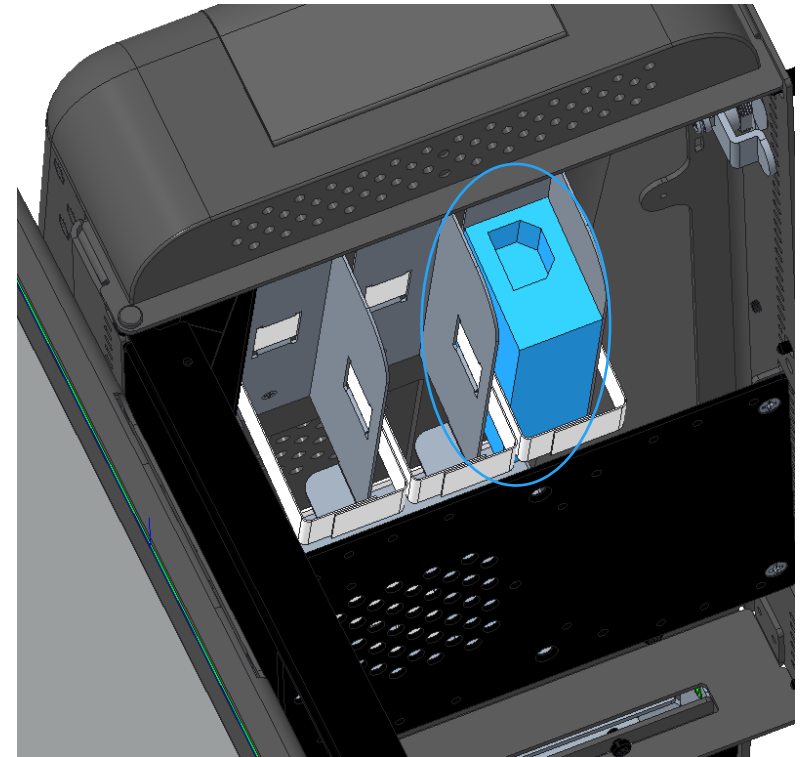


Upper  
mounting  
holes  
(24"/27"  
displays)

Lower  
mounting  
holes (22"  
displays)

Assemble display to display door. Use upper set of keyholes for 24" or 27" displays. Use lower set of keyholes for 22" displays. Install two additional pan head screws from "VESA Spacer and Screws" bag in screw holes as shown. Fully tighten upper screws.

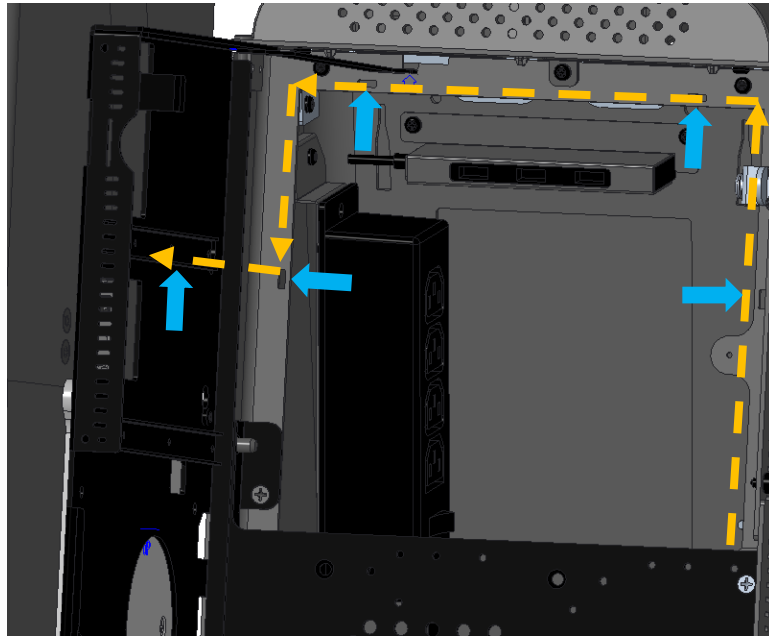
## 2.8



For 2470L/2770L monitors, skip to the next step.

For displays with separate power supply, install power supply in right bay. Secure power supply with Velcro strap.

## 2.9



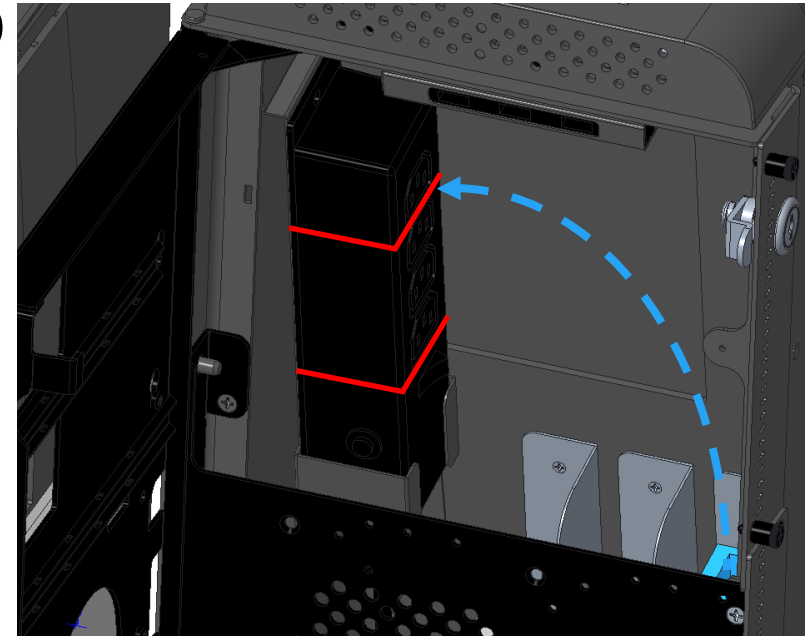
For 2470L/2770L monitors, an IEC C13-to-AC adapter is required to connect to the power strip. For North America, StarTech P/N **PAC100** is recommended.



Route the **AC cable** from the display as shown..  
Connect the IEC13-to-AC adapter to the AC cable.

For displays with separate power supply, route the **DC cable** from the power supply to the display as shown.  
Use cable ties to tie off cable where indicated by blue arrows.

## 2.10



For E534273 stand model, power strip is not included.  
Mount power strip to bracket using included large **red cable ties**.

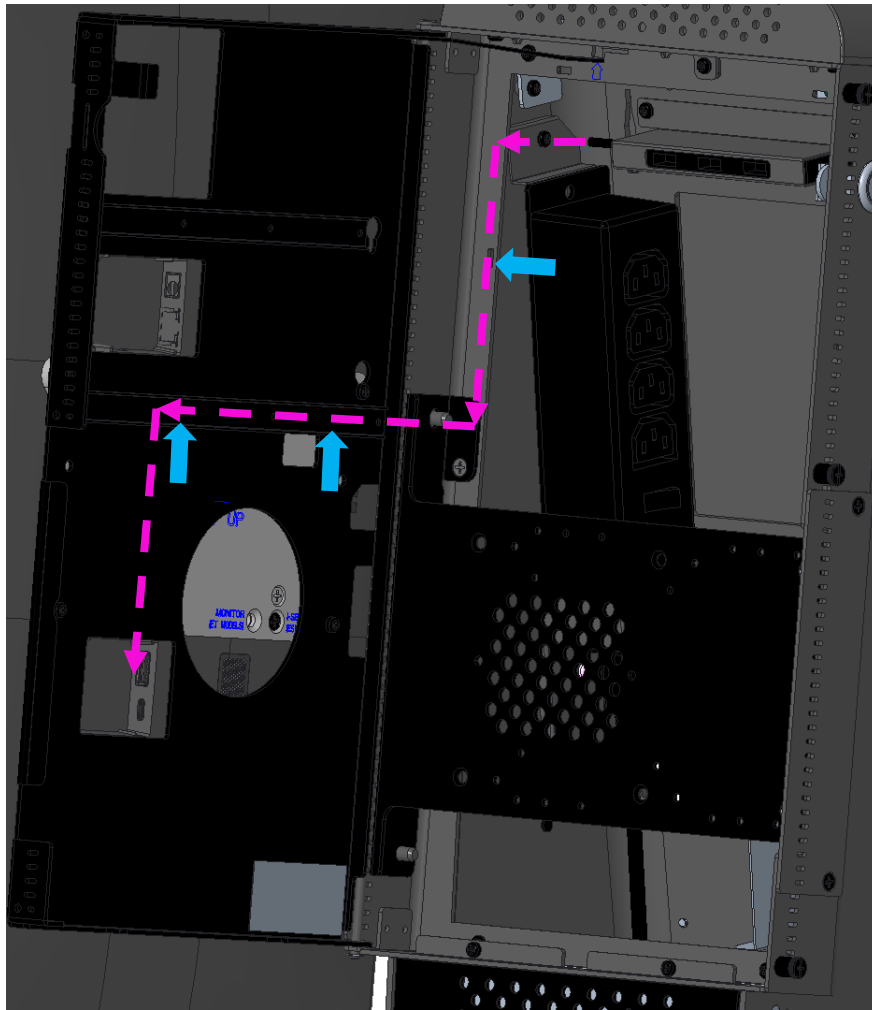
For E989127 stand model, power strip is included.

For 2470L/2770L monitors, connect the IEC13 adapter from step **2.9** to the power strip.

For displays with separate power supply, use the included 0.3m power cable (either C5 or C13, depending on the power supply) to connect the power supply to the power strip.

Note: Schurter power strip P/N 4747 (or equivalent) is suggested for E534273 model.

## 2.11



If using I-Series, route **USB-A cable** from USB hub to I-Series. Use cable ties to tie off cable where indicated by blue arrows.

## 2.12



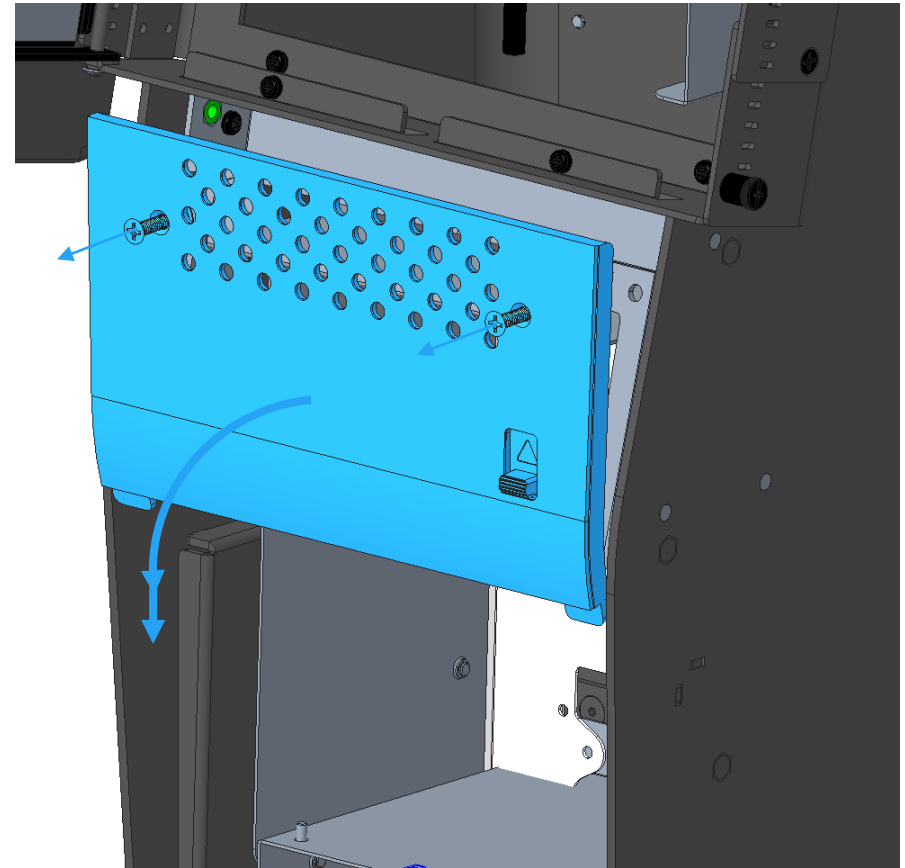
If using monitor, connect **HDMI cable** to monitor and route into stand as shown, for connection to compute module later. Connect **USB-A to USB-B cable** to monitor and to USB hub. Use cable ties to tie off cables where indicated by blue arrows.

### 3.0



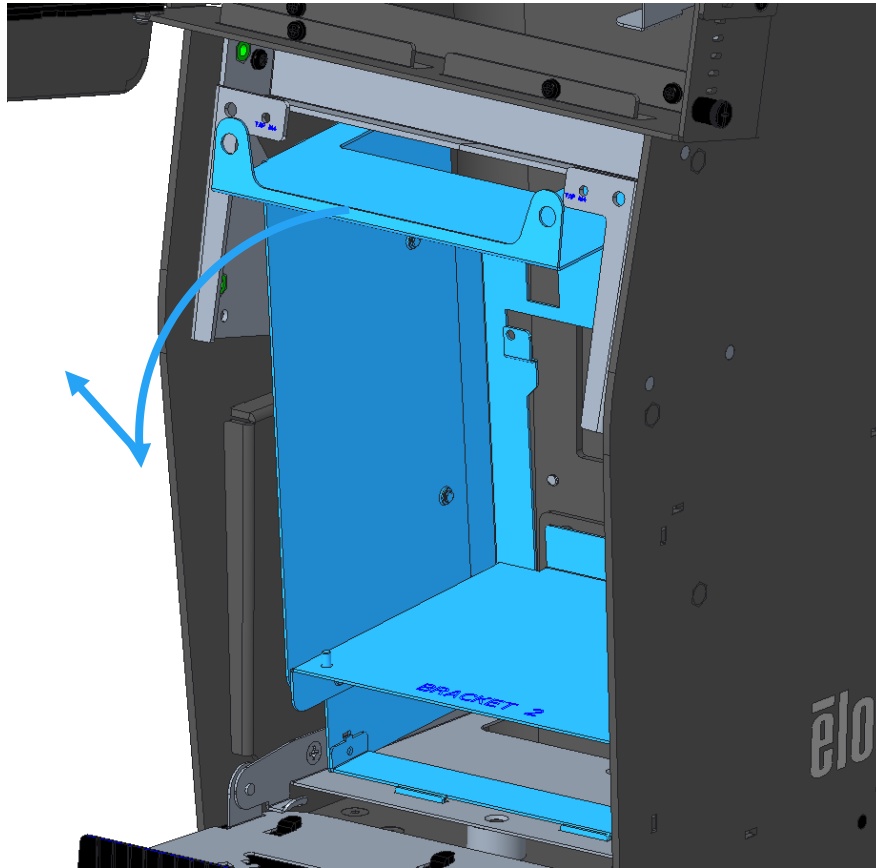
Disengage printer door latch by sliding upward. Pull printer door open.

### 3.1



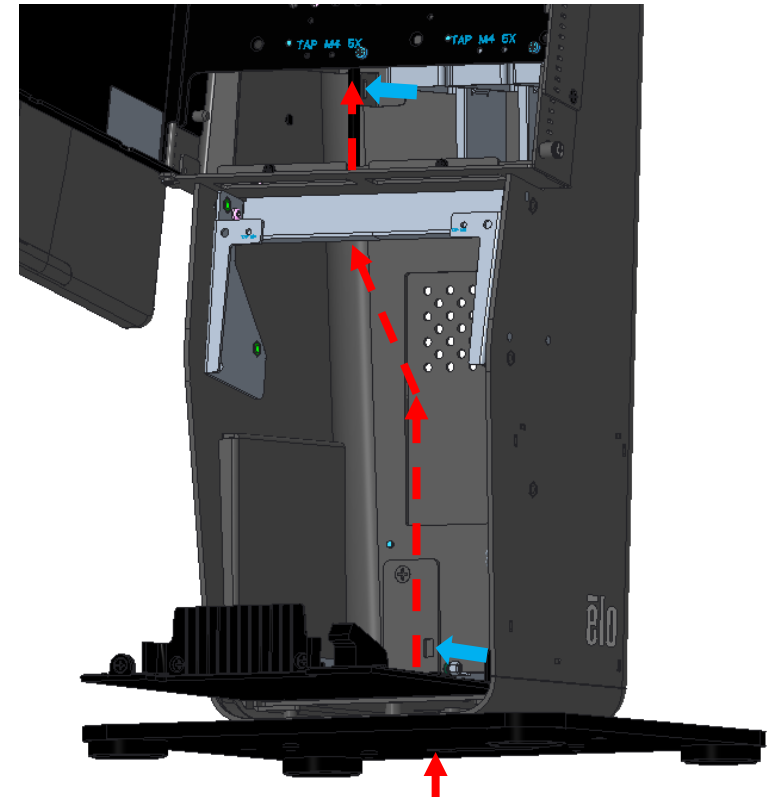
Remove middle cover by loosening two screws, then rotating cover out and pulling down.

## 3.2



Remove printer cage by tilting out and lifting up.

## 3.3

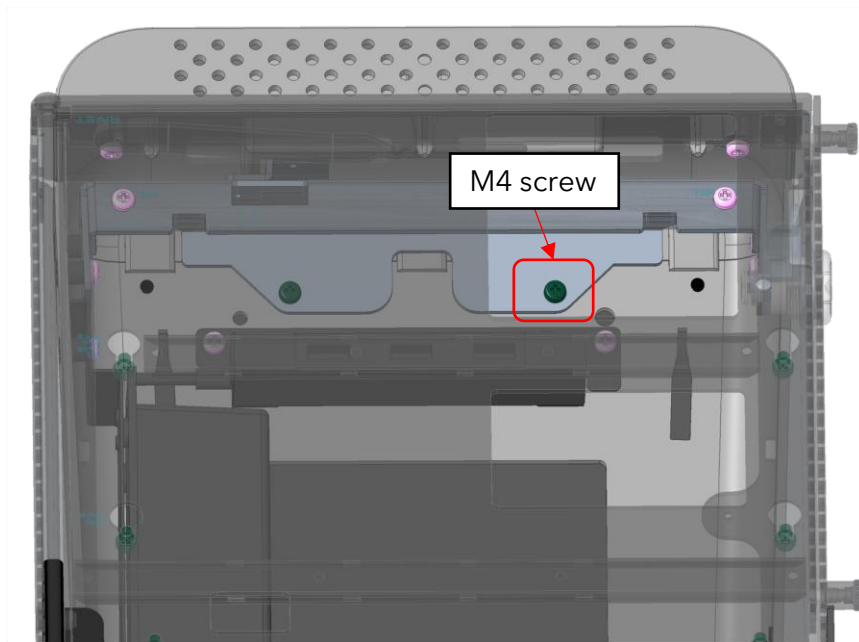


For E534273 model, power cable is not included. Purchase a 1.8m to 5m (depending on length needed) C13-style power cable for your region. For E989127 model, choose correct 4.5-5.0m power cable (NA/EU/UK) from the included cables.

If routing power from remote wall outlet, route **power cable** from wall outlet through base, and access hole in rear of printer bay, and connect to bottom of power strip. Use cable ties to tie off power cable where indicated by blue arrows.

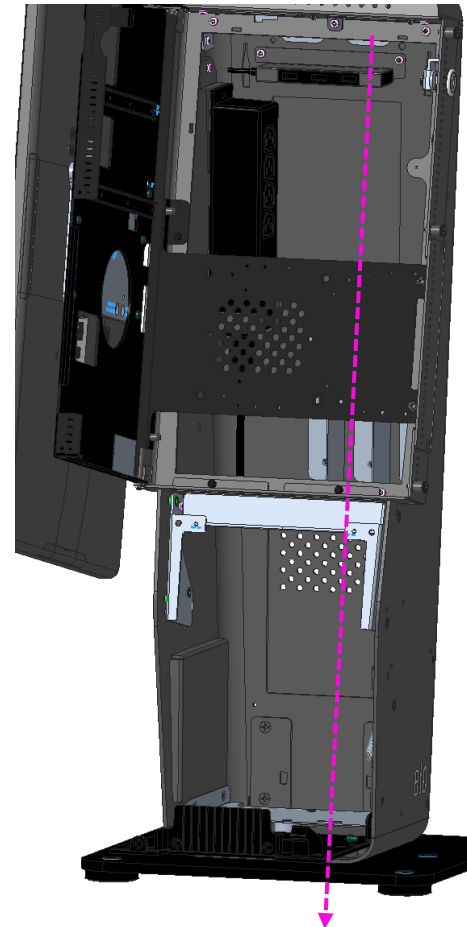
For wall mounts with internal outlet, use a 0.3m power cable. For E990079 wall mount kit, 0.3m cable is included. For E534663 wall mount kit, purchase a 0.3m C13-style power cable for your region.

### 3.4



Remove marked M4 screw, and fixed 1.0m ground cable

### 3.5

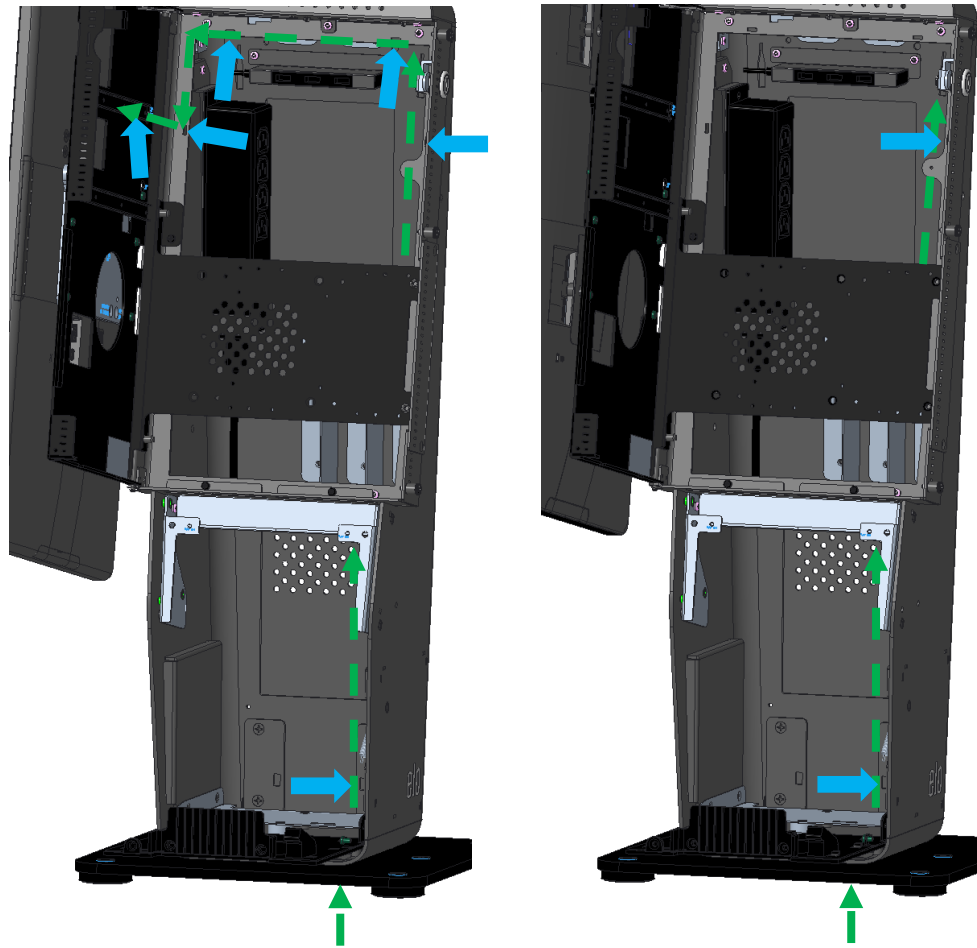


Grounding cable through internal and out from base hole

## 3.6

I-Series

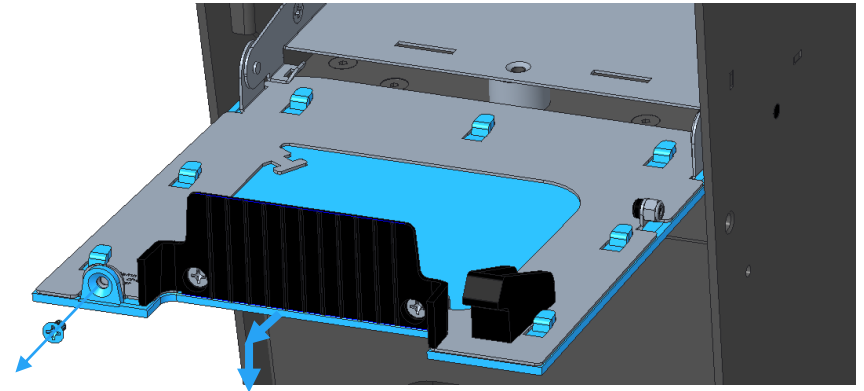
Monitor



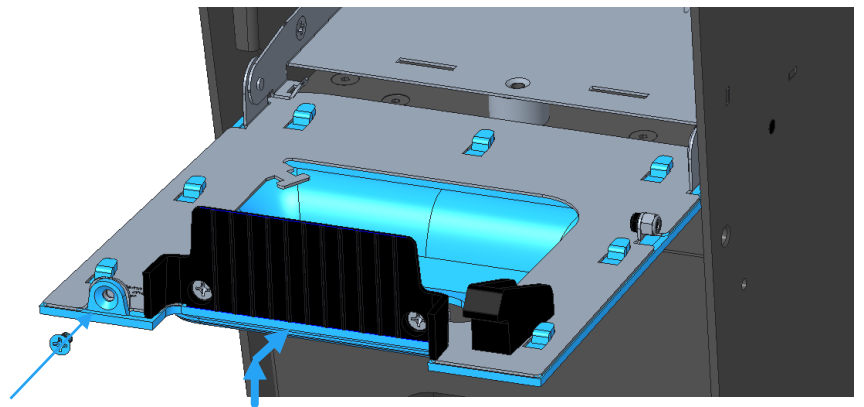
If routing LAN cable from wall source, route cable through base, access hole in rear of printer bay, and stand. If using I-Series, connect cable to I-series. If using monitor, use cable ties to tie off as shown but leave unconnected.

## 4.0

Storm AudioNav or Assist Button Kit Installation  
(if not installing either, skip to step 5.0)



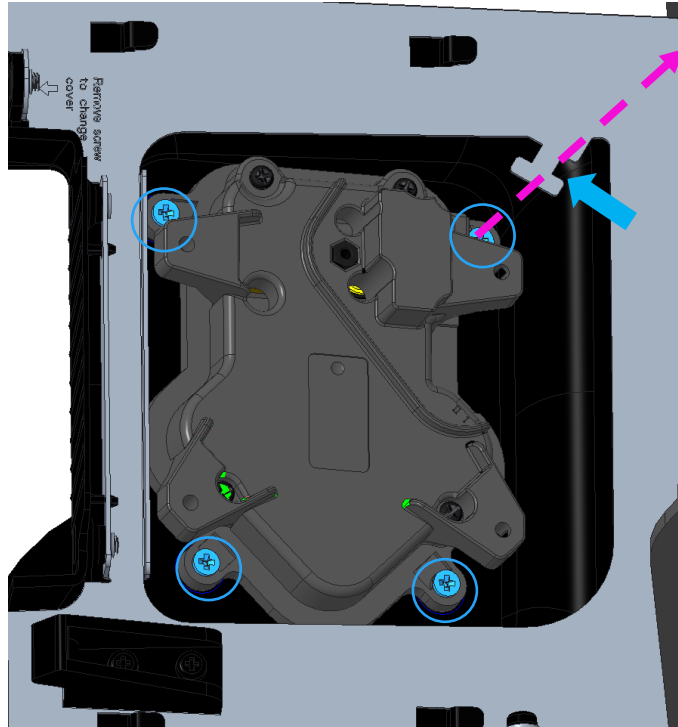
Remove door cover screw shown. Slide printer door cover out and down to remove. For Assist Button Kit, skip to step 4.2.



Install AudioNav Printer Door by guiding tabs into holes in door, then sliding inwards. Reinstall screw as shown.

## 4.1

Note: This stand supports AudioNav 6-key keypads (not included). MiniUSB cable required (StarTech USB2HABM6LA suggested).



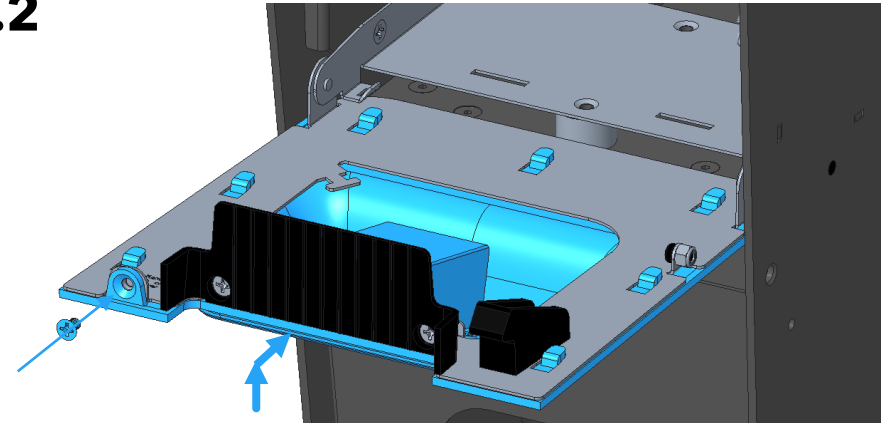
Connect **USB cable** to AudioNav.

For AudioNav -ALT or -ALTP part numbers, install the AudioNav device using screws from "AudioNav Screws (Long)" bag.

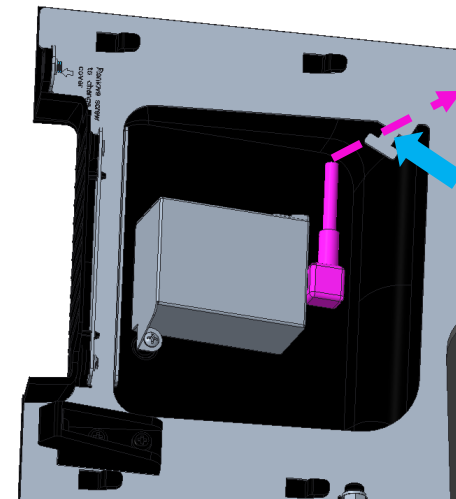
For other AudioNav part numbers, install AudioNav device using screws from "AudioNav Screws (Short)" bag.

Tie off cable where indicated by blue arrow. Skip to step **4.3**.

## 4.2

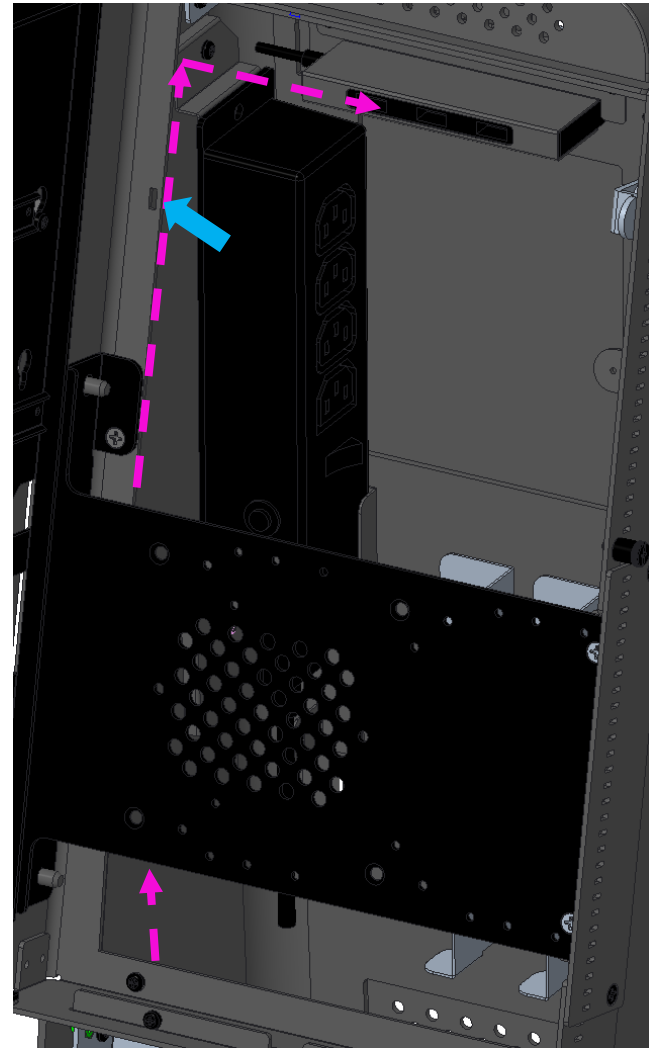
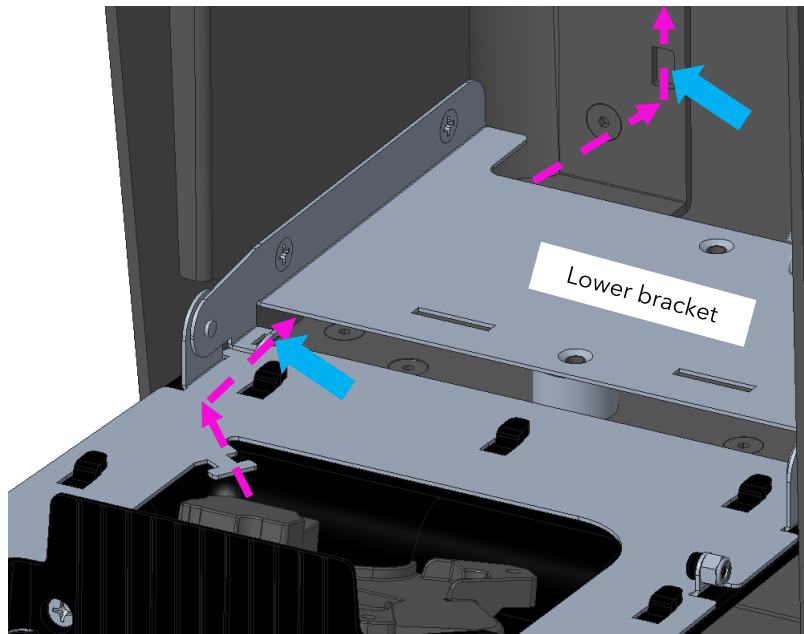


Install Assist Button Kit (Elo P/N E284334) by guiding tabs into holes in door, then sliding inwards. Reinstall screw as shown.



Connect **USB cable** (included with Assist Button Kit) and tie off cable where indicated by blue arrow. Attach braille "Help" label to front of door below button.

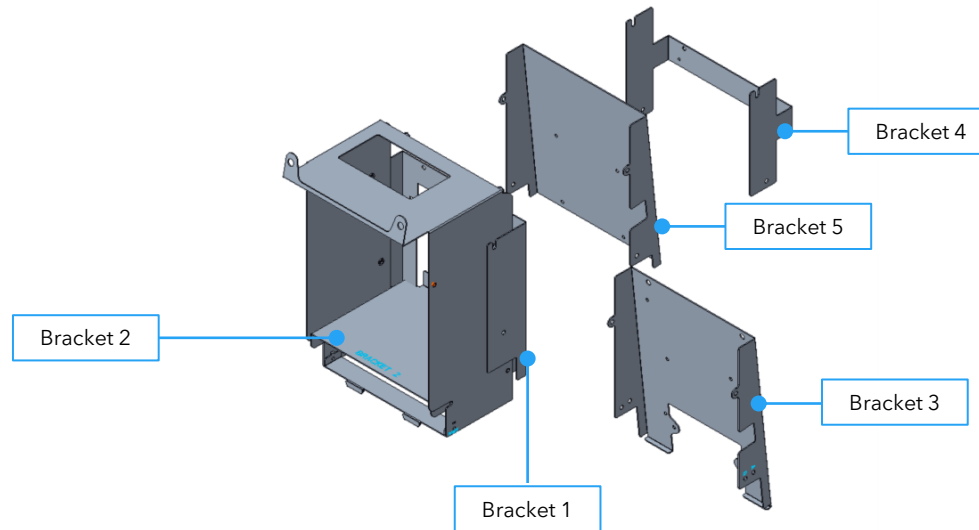
## 4.3



Route **USB cable** under lower bracket, up to USB hub. Tie off cable using cables ties, where indicated by blue arrows.

## 5.0

### Printer Installation (If not installing printer, skip to step 5.9)



Each printer requires a different bracket configuration. Brackets 1 and 2 are shipped installed in the printer cage. Brackets 3 ,4, 5 can be found in the “Printer Hardware” bag.

**Epson M30/Epson EU-M30:** Proceed to step **5.1**.

**Star mC-Print3:** Skip to step **5.2**.

**Star TSP100/Star TSP654:** Skip to step **5.3**.

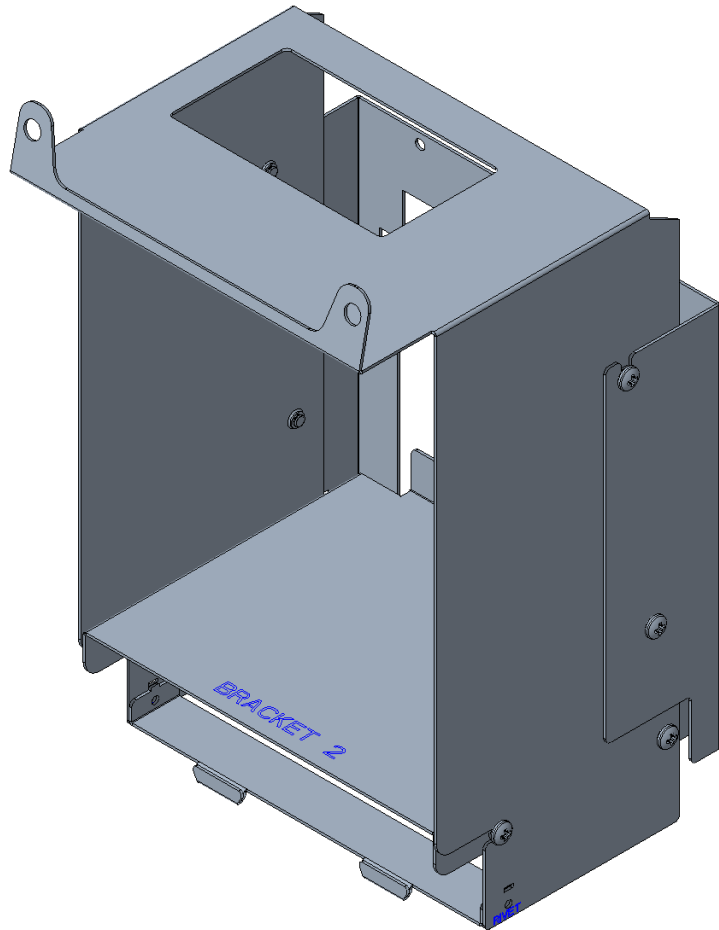
**Bixolon SRP-350/Epson TM-T88:** Skip to step **5.4**.

**Epson L90/M30iii:** Skip to step **5.5**.

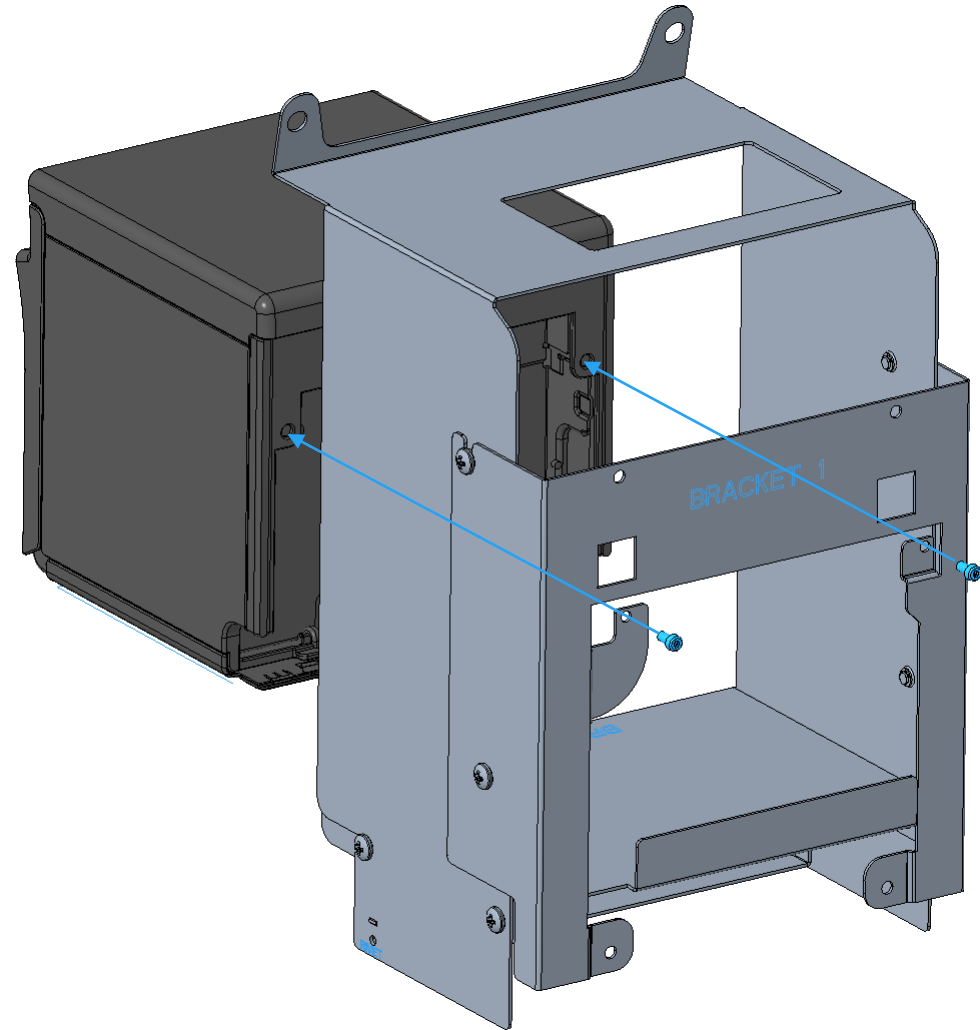
**Bixolon SRP-350 PLUS V/Star TSP143IV:** Skip to step **5.6**.

## 5.1

### Epson M30/Epson EU-M30 Installation



No changes are required to the printer cage.



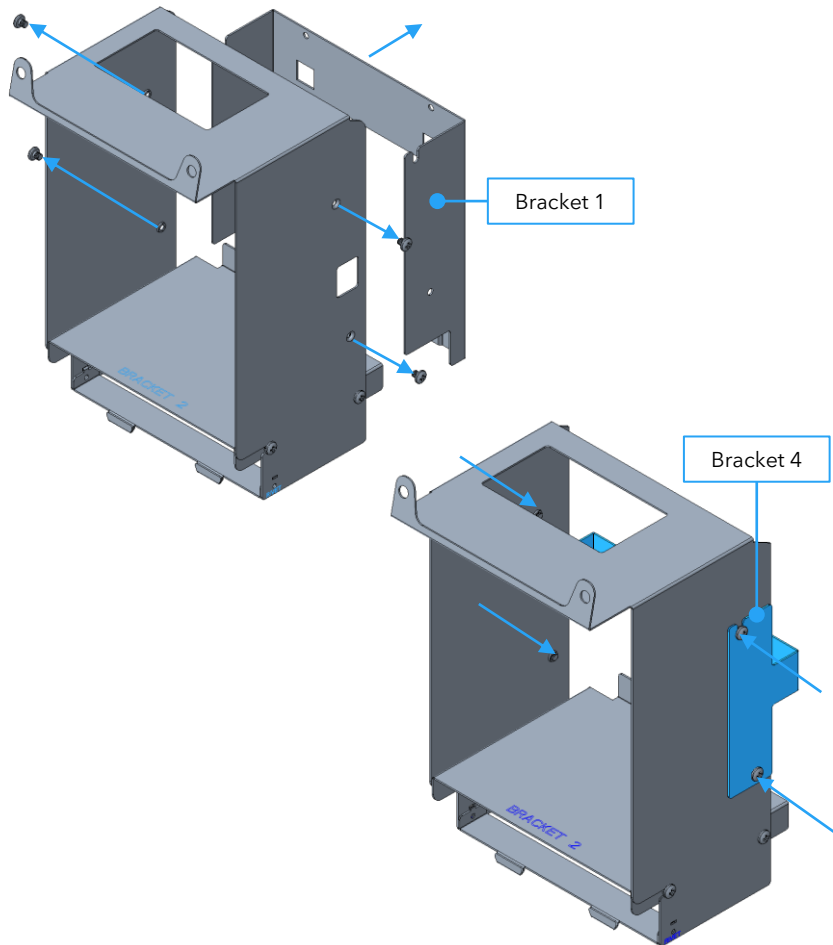
Remove rear cable cover from printer. Slide printer into cage.

For M30ii or EU-M30, fasten printer using two T2.5x8 screws from "Printer Hardware" bag. Skip to step **5.7**.

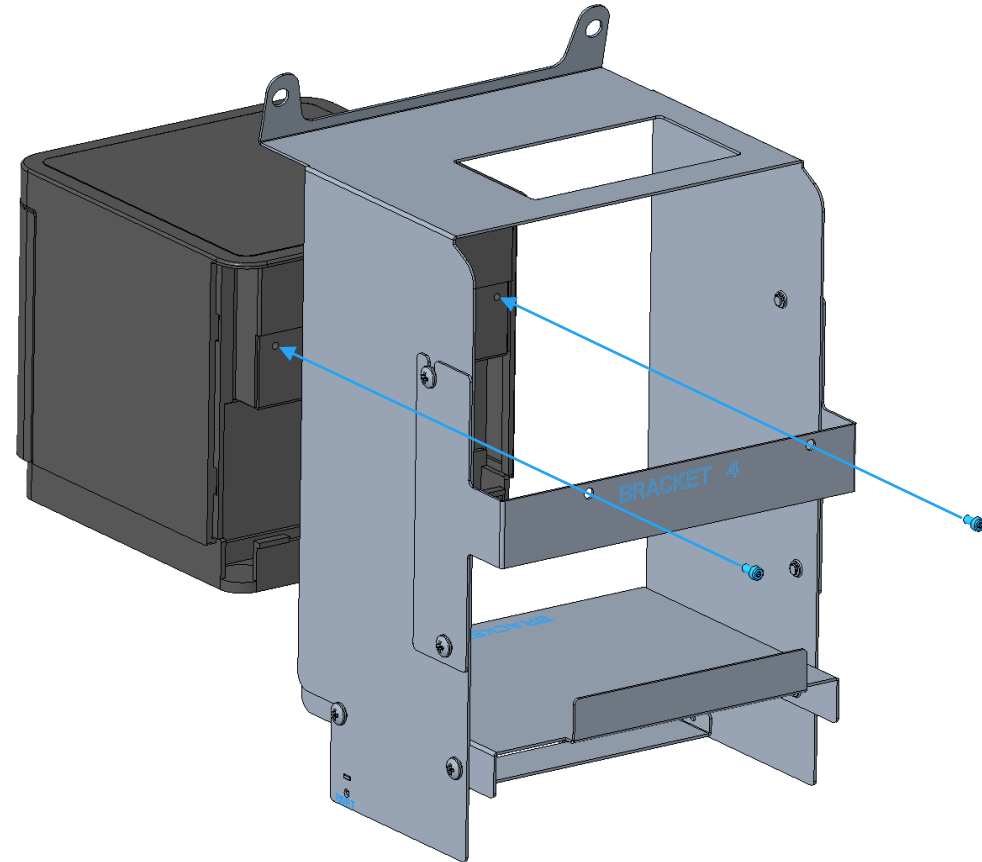
For earlier M30 models, fasten printer using two T3x6 screws from "Printer Hardware" bag. Skip to step **5.7**.

## 5.2

### Star mC-Print3 Installation



Remove Bracket 1 from cage by removing four screws, and replace with Bracket 4 from "Printer Hardware" bag, using the same four screws.

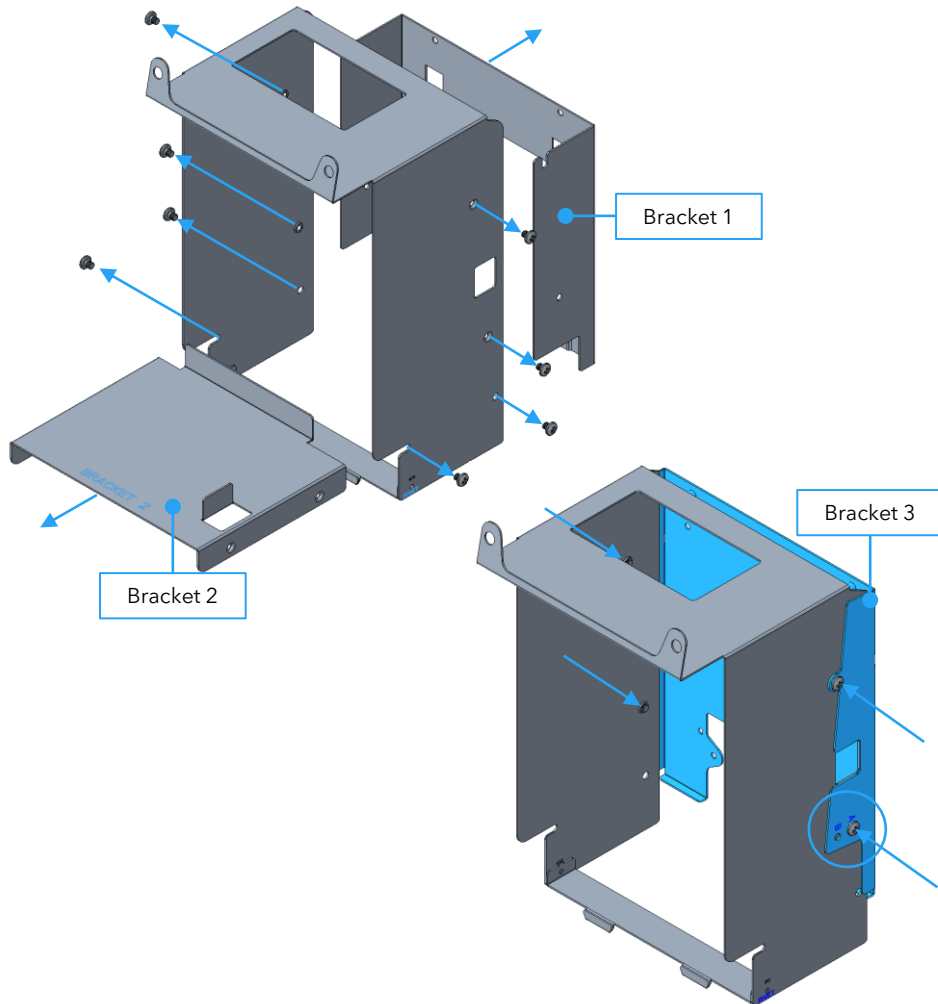


Remove rear cable cover from printer. Slide printer into cage.

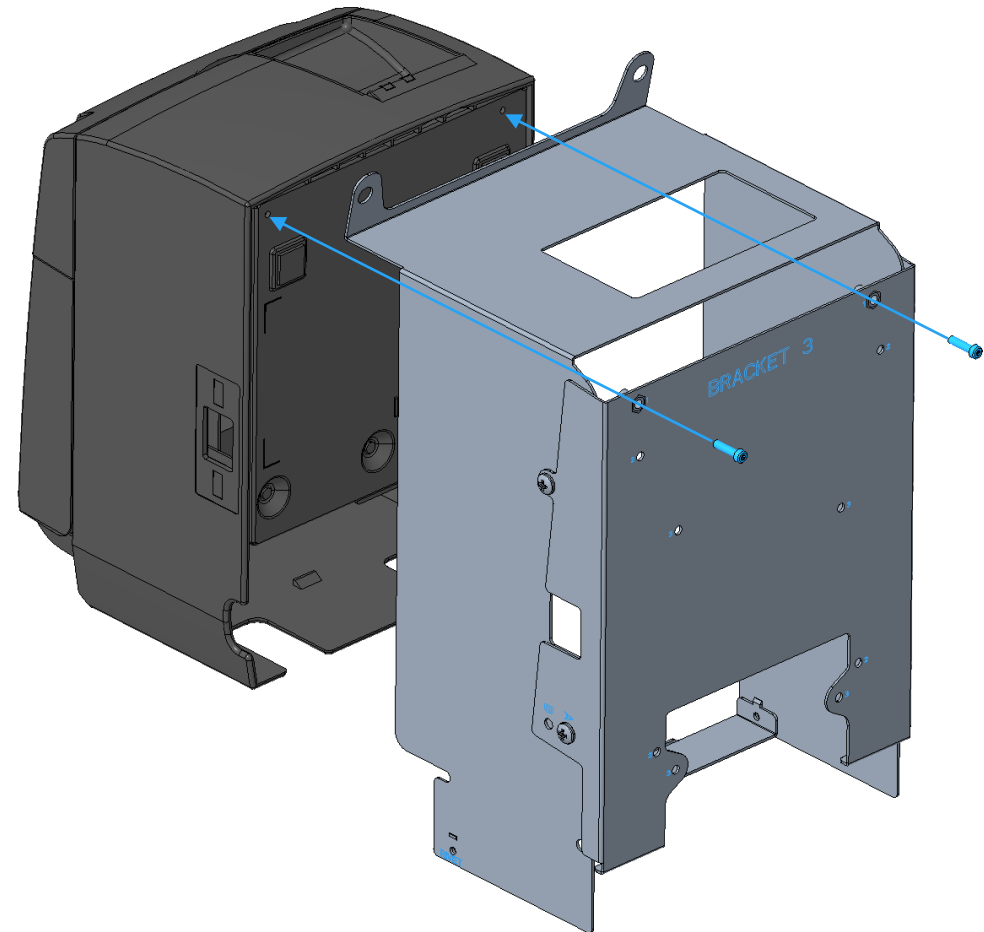
Fasten printer using two T3x6 screws from "Printer Hardware" bag. Skip to step **5.7**.

## 5.3

## Star TSP100/Star TSP654 Installation

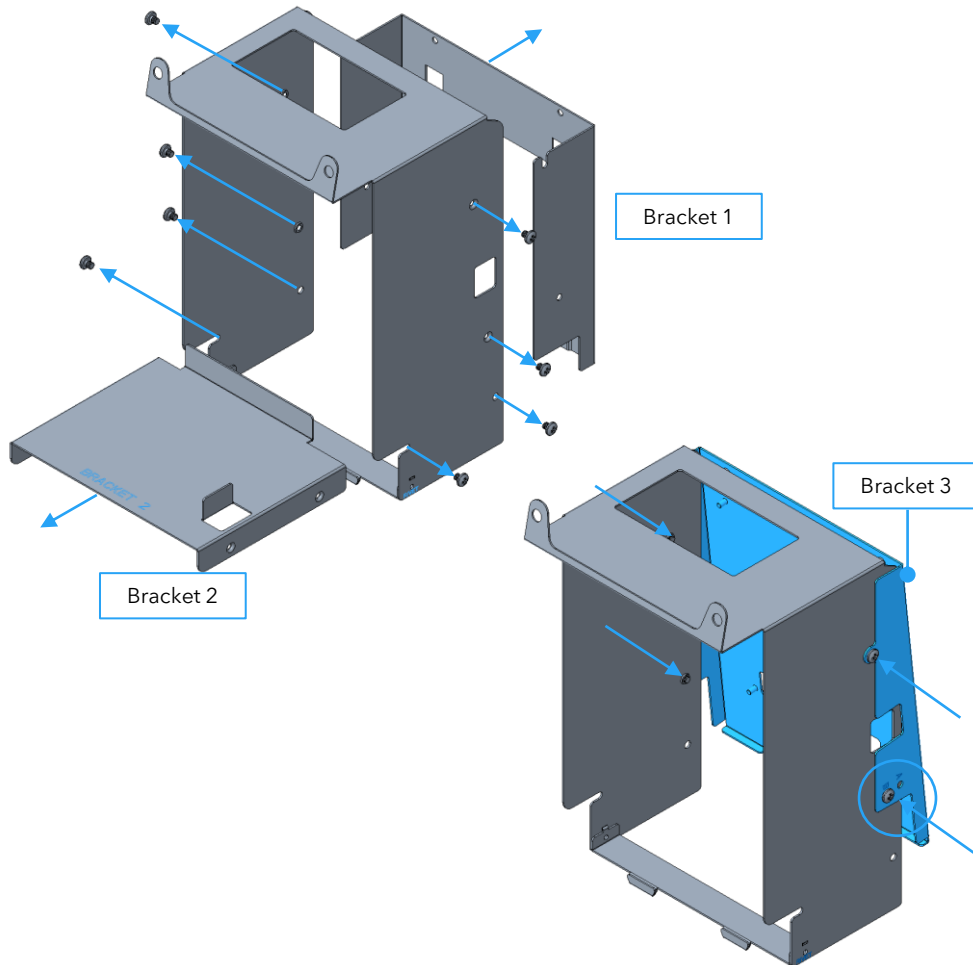


Remove Brackets 1 and 2 from cage by removing eight screws. Assemble Bracket 3 (from "Printer Hardware" bag), using screw position "A" and four of the screws.



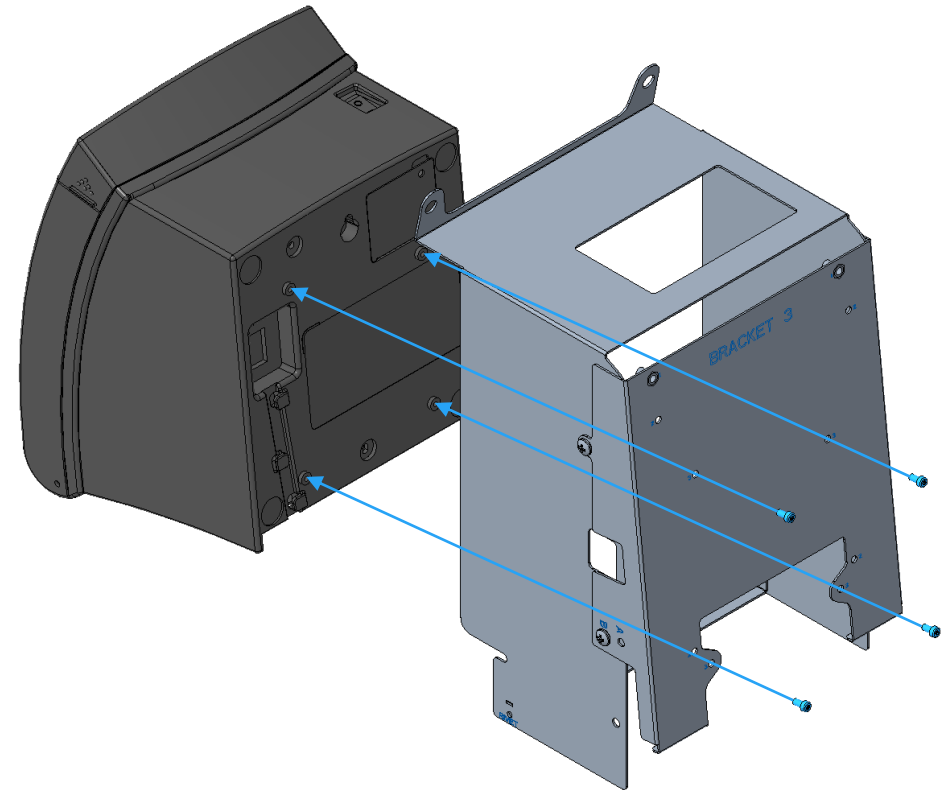
Assemble printer to cage and install two T3x12mm screws from "Printer Hardware" bag into screw holes marked "1". Skip to step **5.7**.

## 5.4 Bixolon SRP-350/Epson TM-T88 Installation



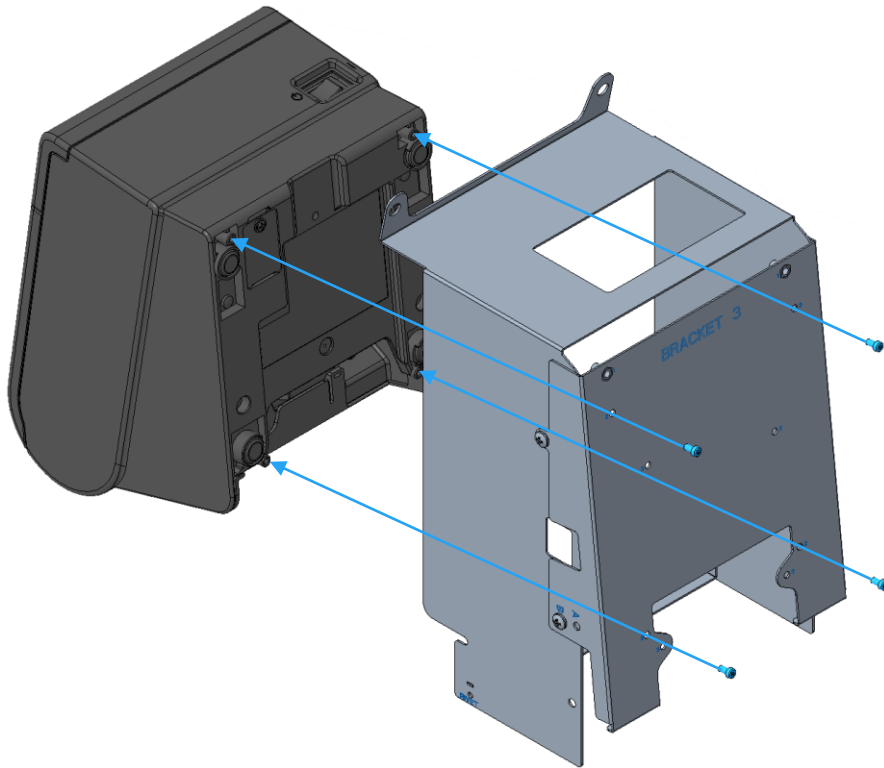
Remove Brackets 1 and 2 from cage by removing eight screws. Assemble Bracket 3 (from "Printer Hardware" bag), using screw position "B" and four of the screws.

## Bixolon SRP-350



Assemble printer to cage and install four T3x6mm screws from "Printer Hardware" bag, using screw holes marked "3". Skip to step **5.7**.

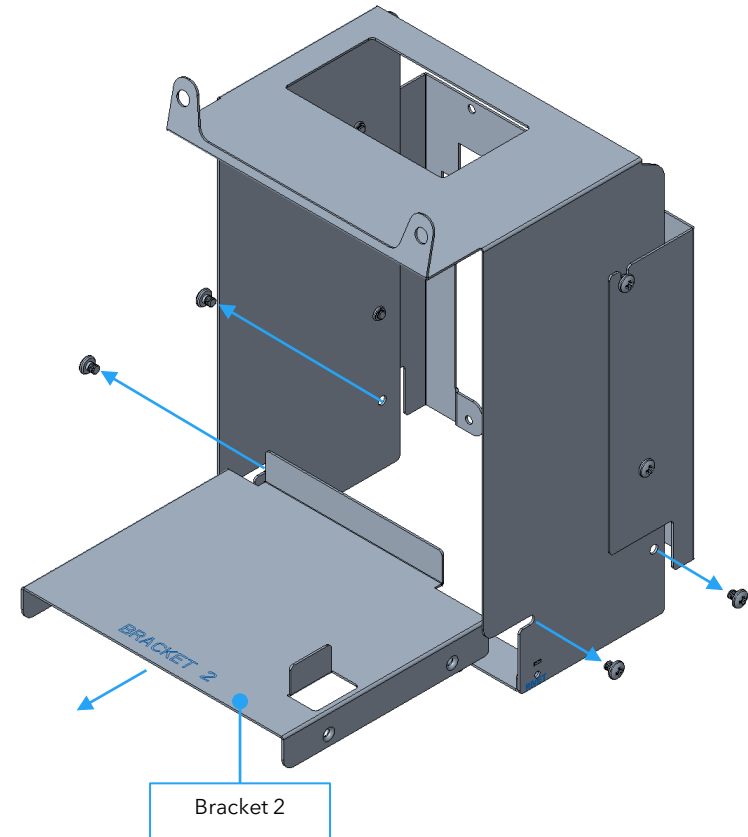
## Epson TM-T88



Assemble printer to cage and install four T3x6mm screws from "Printer Hardware" bag, using screw holes marked "2". Skip to step **5.7**.

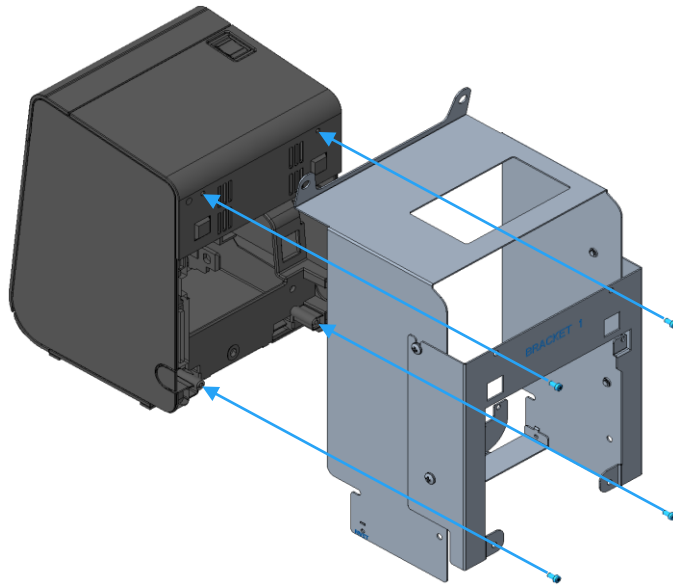
## 5.5

## Epson L90/M30iii Installation



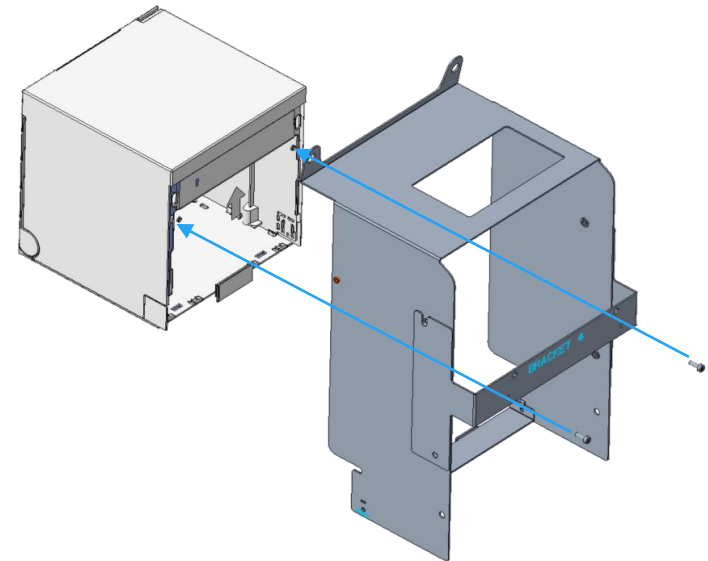
Remove Bracket 2 from cage by removing four screws.

## Epson L90 Installation



Assemble printer to cage and install four T3x6mm screws from "Printer Hardware" bag.

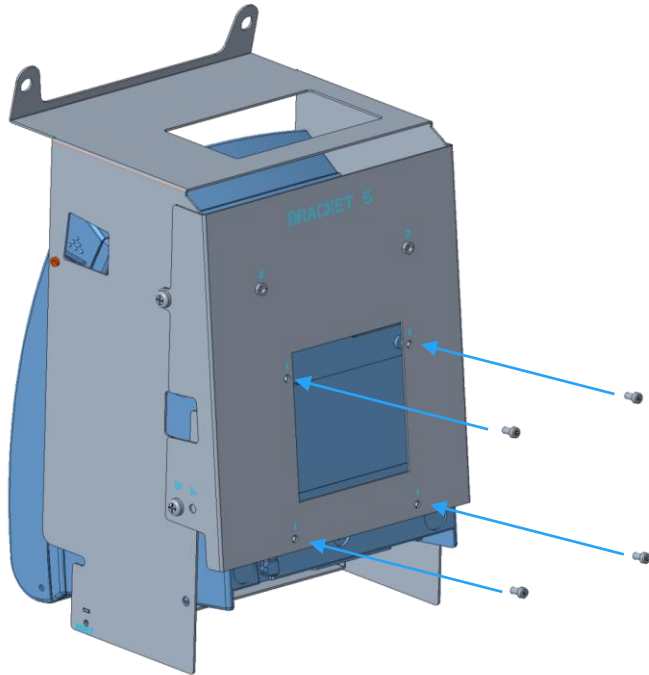
## Epson M30iii Installation



Remove bracket-1 and assembly bracket-4 by four screws, Assemble printer to cage and install two T2.5X8mm screws from "Printer Hardware" bag.

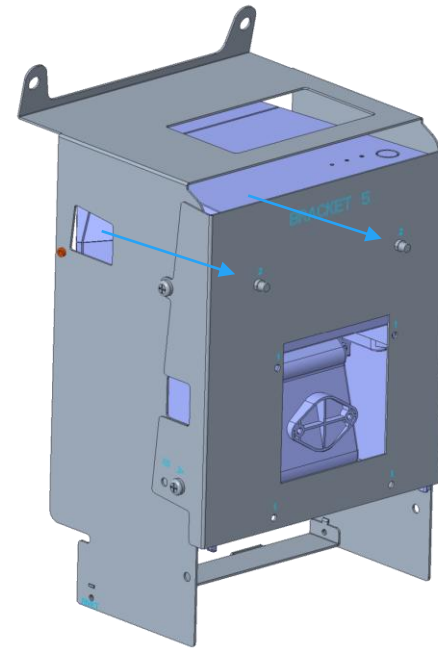
## 5.6

### Bixolon SRP-350 PLUS V Installation



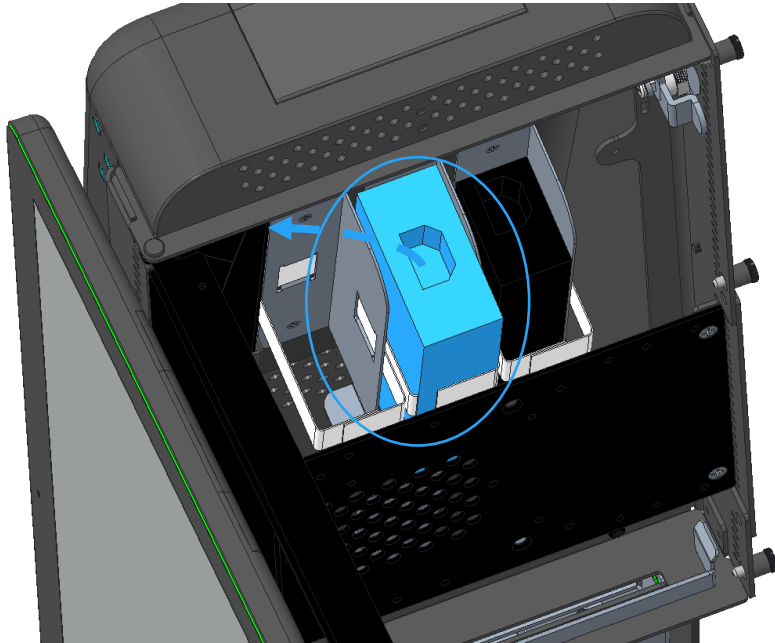
Assemble printer to cage and install four T3x6mm screws through hole-1 from "Printer Hardware" bag.

### Star TSP143IV Installation



Install two M4X10mm screws through hole-2 from "Printer Hardware" bag to BKT5 with about 3mm gap, then use screw head hang up printer.

## 5.7

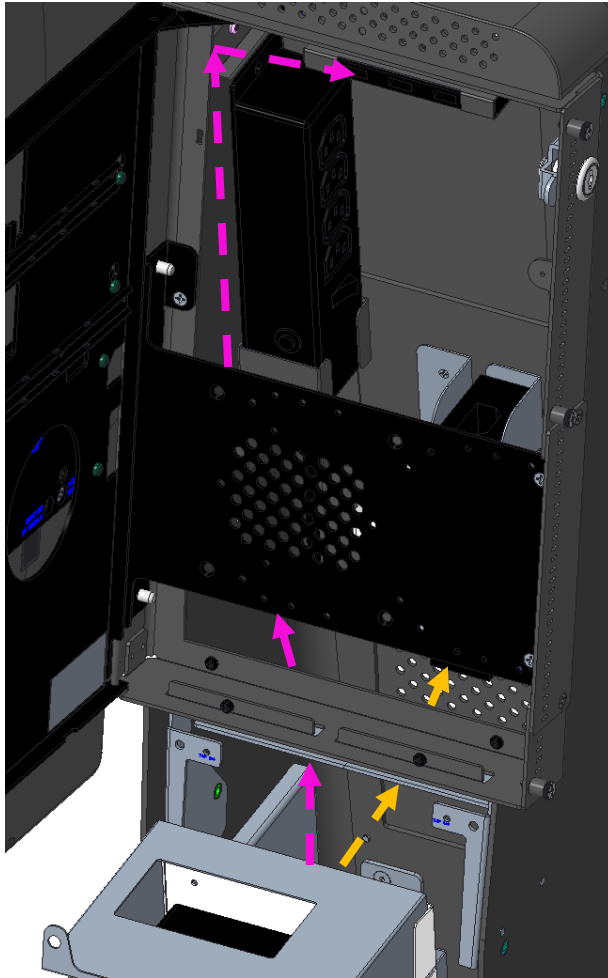


If printer includes a DC power supply, remove AC cable from power supply, and install power supply in middle bay as shown. Secure power supply with velcro strap. Use the included 0.3m power cable (either C5 or C13, depending on the printer power supply) to connect the power supply to the power strip.

If printer includes direct AC cable, an IEC C13 to AC adapter is required. For North America, StarTech P/N **PAC100** is recommended.

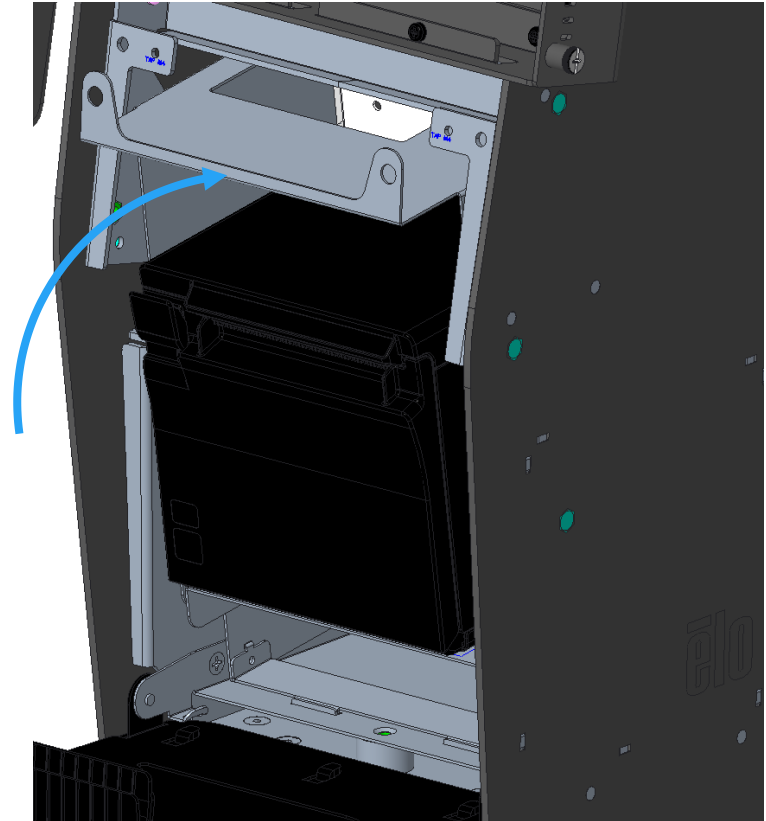


## 5.8



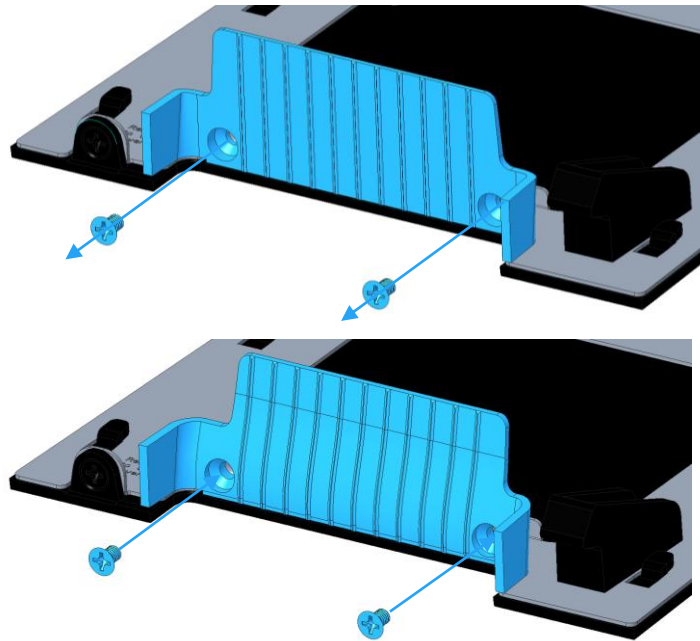
Depending on printer type, route **USB cable** from printer to USB hub, or route LAN cable to printer from wall/ceiling. Depending on power cable, route **DC power** from power supply to printer, or route AC power from printer to AC adapter/power strip.

## 5.9



Reinstall printer cage by inserting tabs in cage into slots in bracket, and tilting cage into position, ensuring that cables are not pinched. Load paper into printer (if a printer was installed).

## 6.0 Printer Paper Chute/Filler Configuration



Configure printer paper chute/filler by removing two screws, replacing (per instructions below), and reinstalling screws. Chute 1 is pre-installed from the factory. Other chutes/filler are included in "Printer Hardware" bag.

**Epson TM-T88, M30, EU-m30, L90:** No change needed.

**Star TSP100, TSP654, Epson TM-30iii:** Replace Chute 1 with Chute 2.

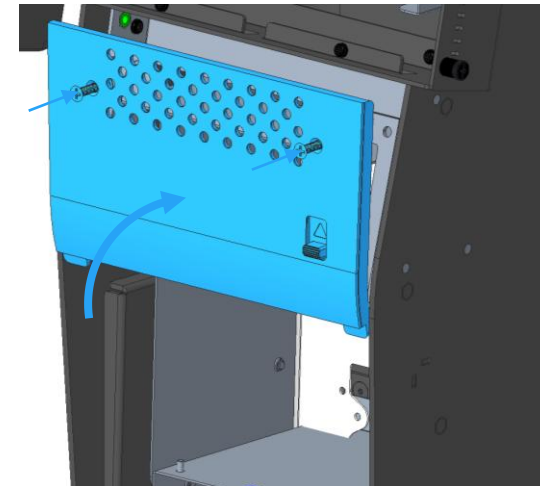
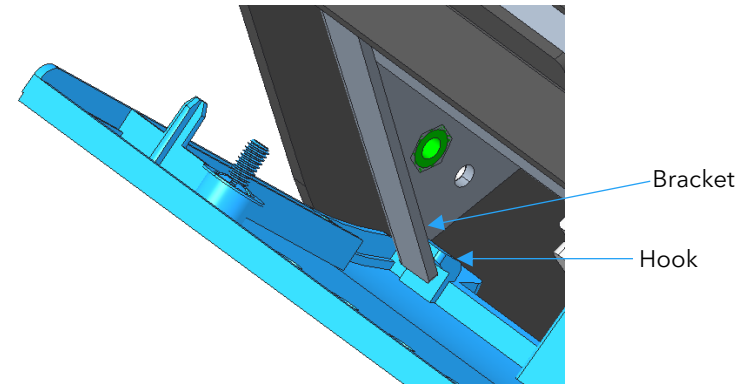
**Star mC-Print3:** Replace Chute 1 with Chute 3.

**Bixolon SRP-350, SRP-350 PLUS V:** Replace Chute 1 with Chute 2.

**Star TSP143IV:** Replace Chute 1 with Chute 4

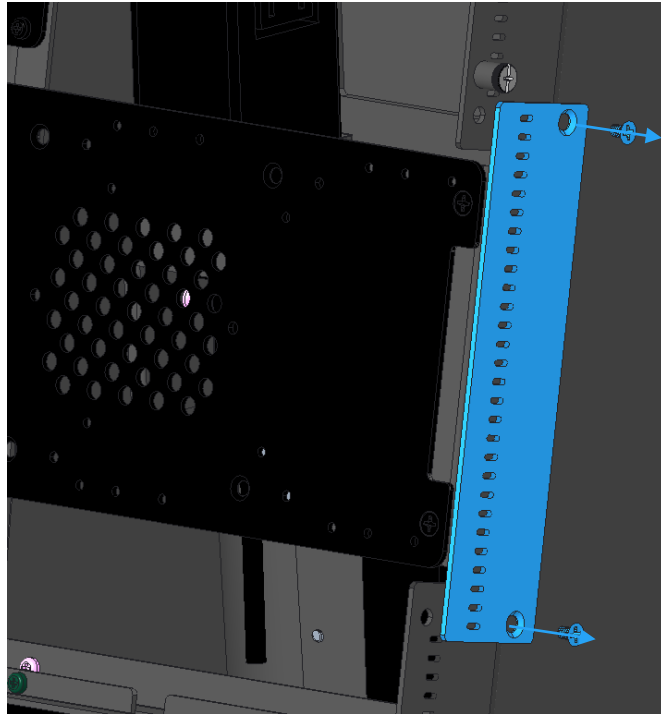
**No printer:** Replace Chute 1 with Filler.

## 6.1



Reinstall middle cover. First slide hooks on left and right sides of middle cover under bottom ends of metal bracket, then tilt middle cover in. Tighten screws. Close printer door.

## 7.0

Wallaby Pro EMV Cradle Installation  
(Optional)

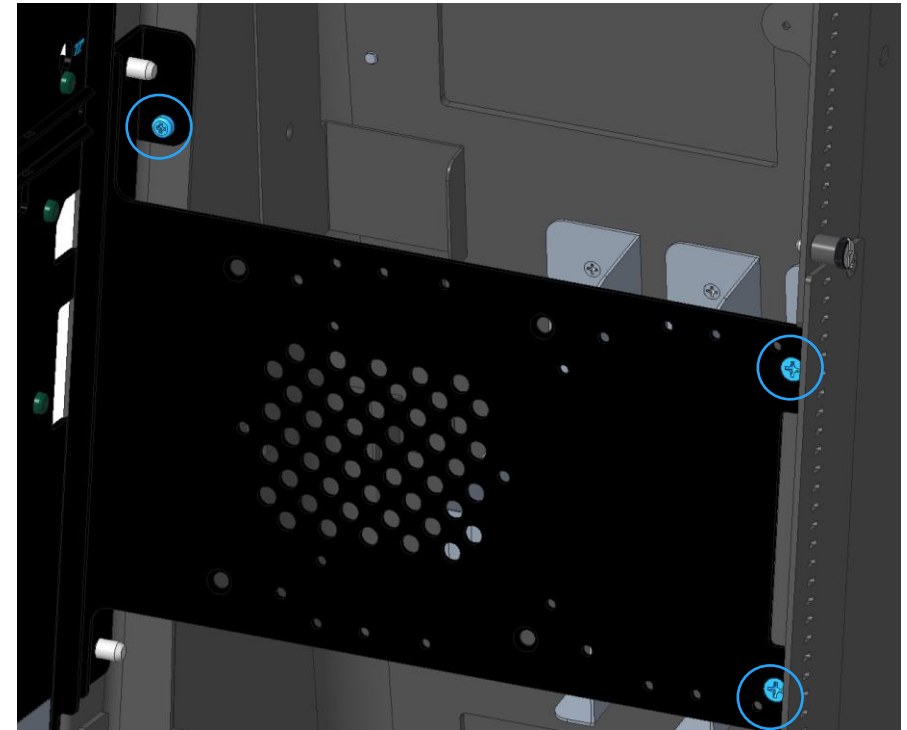
For Wallaby Pro EMV Cradle (P/Ns E990468, E996512, E990654, E990282) installation, remove side cover plate by removing two screws.

**STOP** and follow EMV Cradle assembly instructions before proceeding. After completing EMV Cradle assembly instructions, proceed to step **7.1**.

## 7.1

Android Backpack/Intel NUC/ECMG4/  
Android Expansion Module Installation  
(Optional, if not installing skip to step **7.7**)

Note: Only one of the above options can be installed at a time.

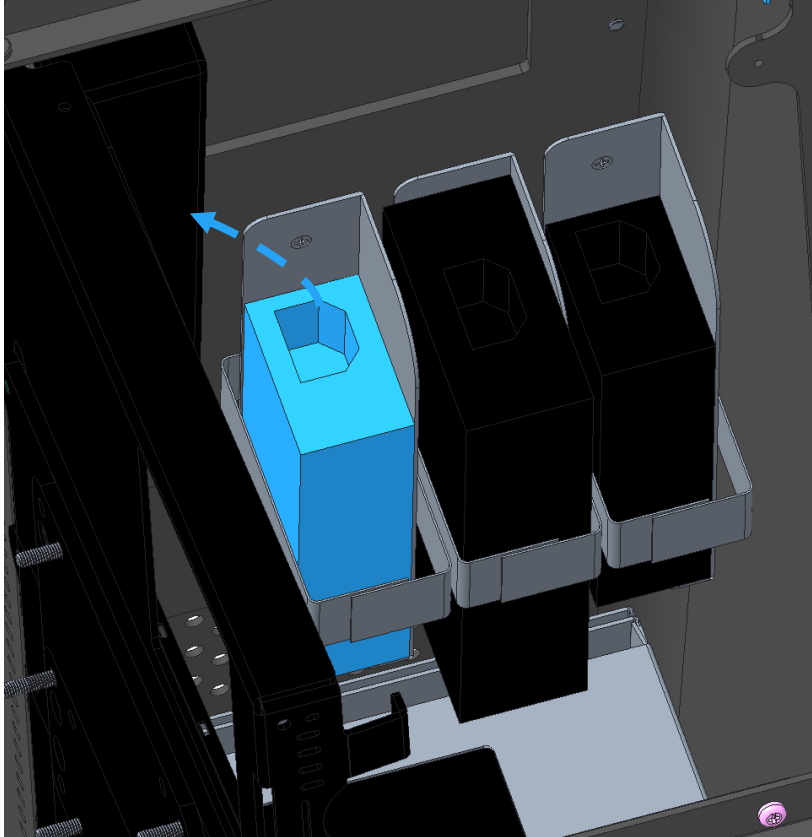


Remove backpack bracket by removing three screws.

For Android Backpack, Intel NUC, or Android Expansion Module installation proceed to step **7.2**.

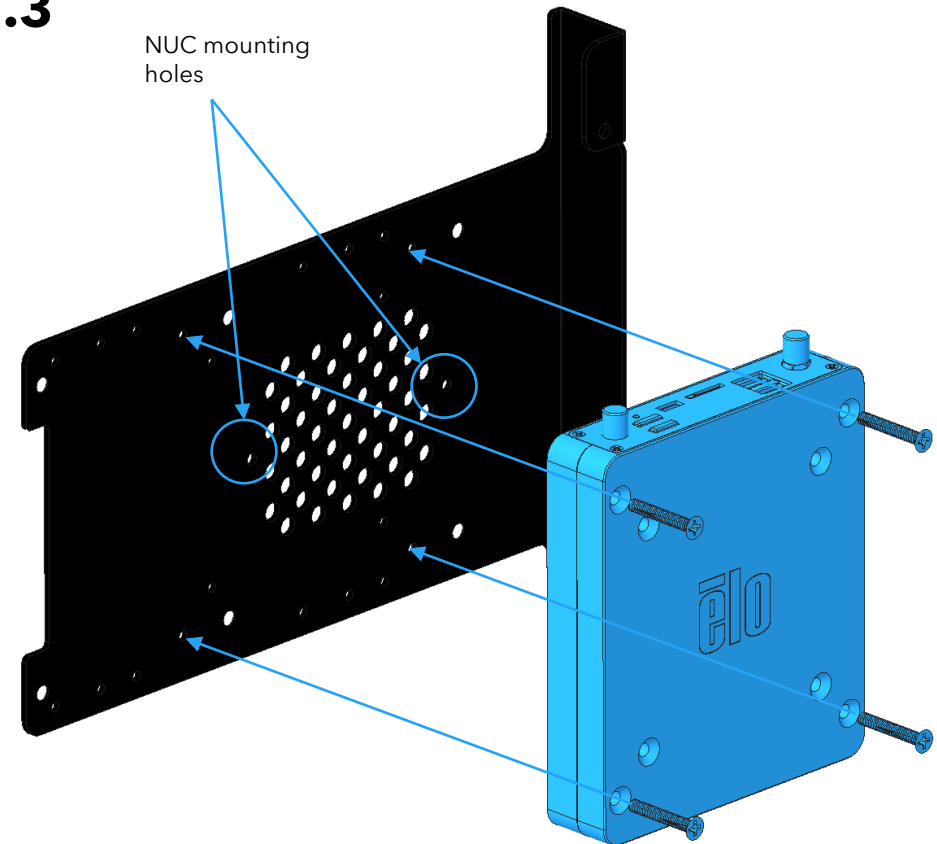
For ECMG4 installation, skip to step **7.9**.

## 7.2



Remove AC power cable from Android Backpack/NUC/Android Expansion Module power supply. Install power supply in left bay. Use the included 0.3m C5 or C13 power cable to connect the power supply to the power strip.

## 7.3

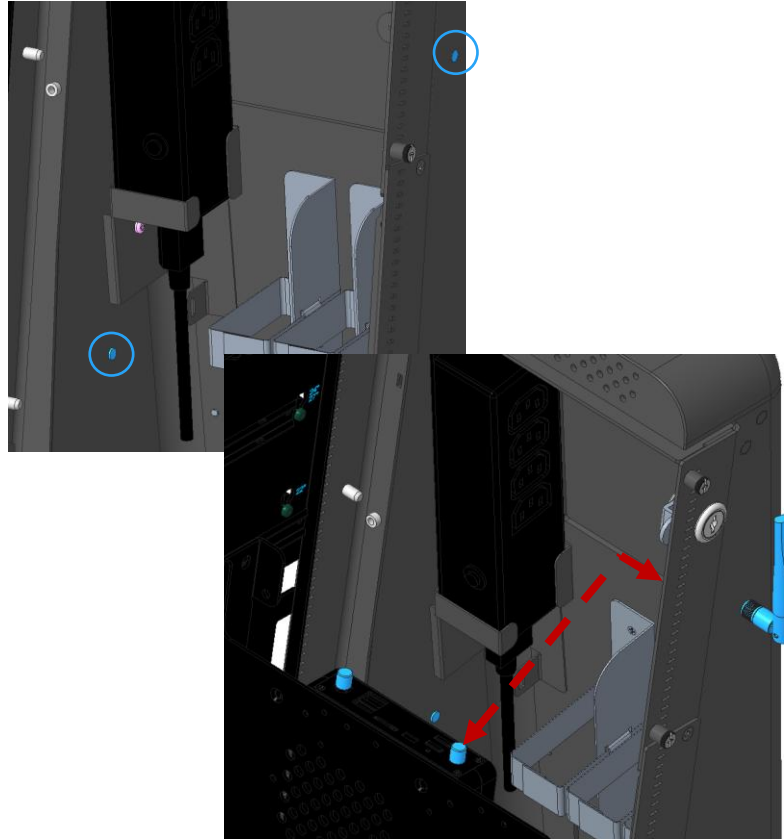


Fasten Android Backpack to bracket using four screws from "Android Backpack Screws" bag.

For NUC, attach using two M3x8 screws (not included), at circled locations.

For Android Expansion Module, attach using screws included with Module.

## 7.4



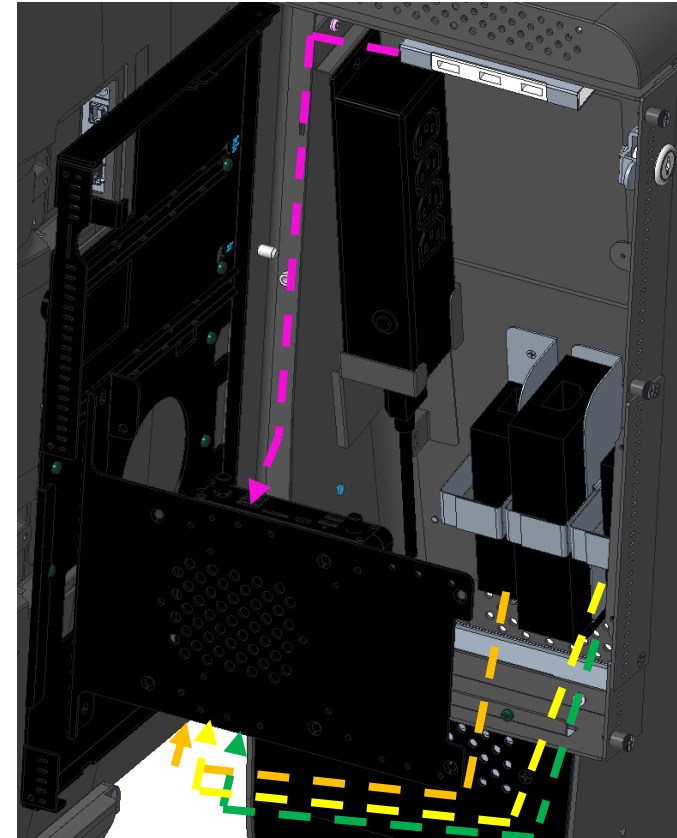
Android Backpack only: For Wi-Fi signal improvement, remove 2 rubber plugs circled.

Install male threaded end of one **SMA extension cable** into each hole and tighten nut to secure cable to stand.

Remove antenna from Android Backpack and install onto male end of **SMA extension cable** on outside of stand.

Attach female end of **SMA extension cable** to Android Backpack.  
Repeat with 2<sup>nd</sup> antenna.

## 7.5



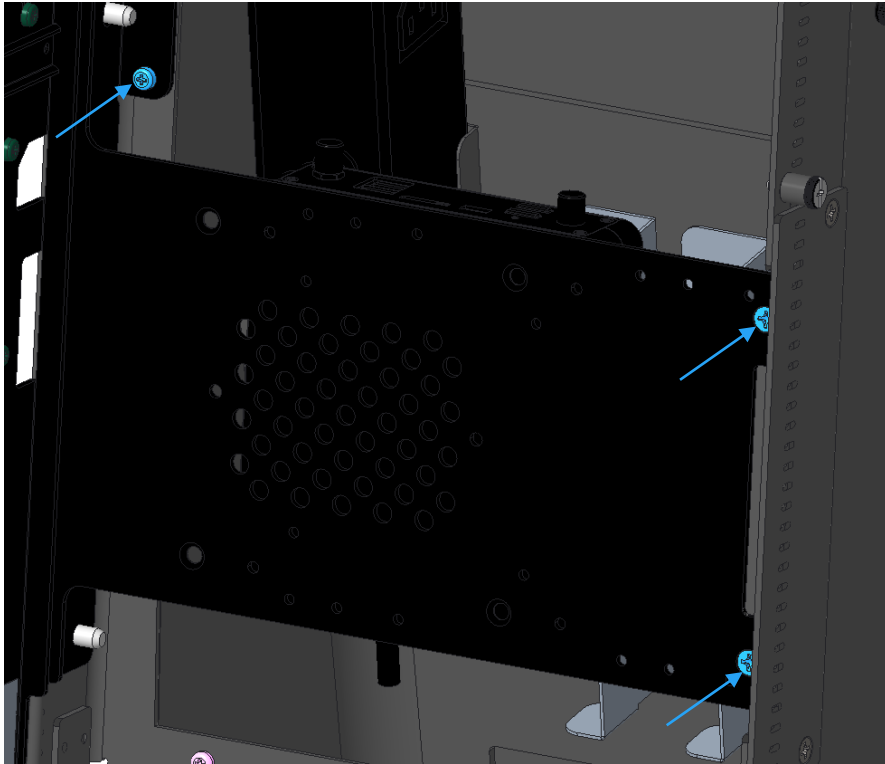
Make the following connections for Android Backpack:

- DC cable from power supply
- USB-A cable from USB hub
- HDMI cable from display.
- LAN cable (if applicable).

For NUC, see NUC user guide for connectivity.

For Android Expansion Module, see Module QIG for connectivity.

## 7.6

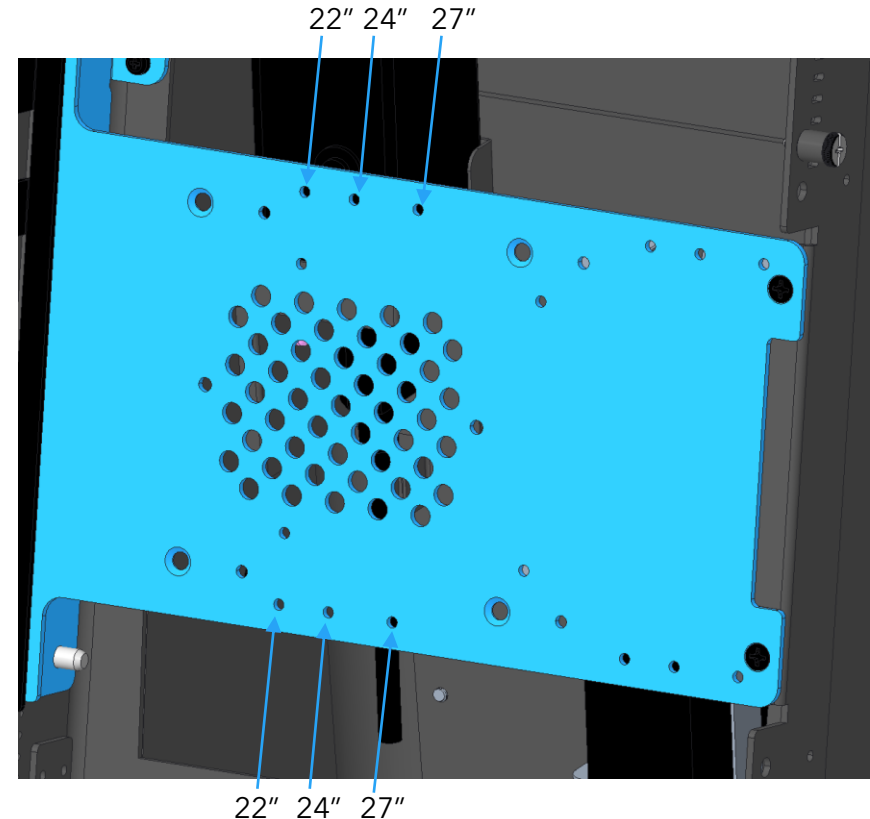


Reinstall backpack bracket by sliding left side of bracket onto pins and tilting into position. Secure with three screws from step **7.1**.

## 7.7

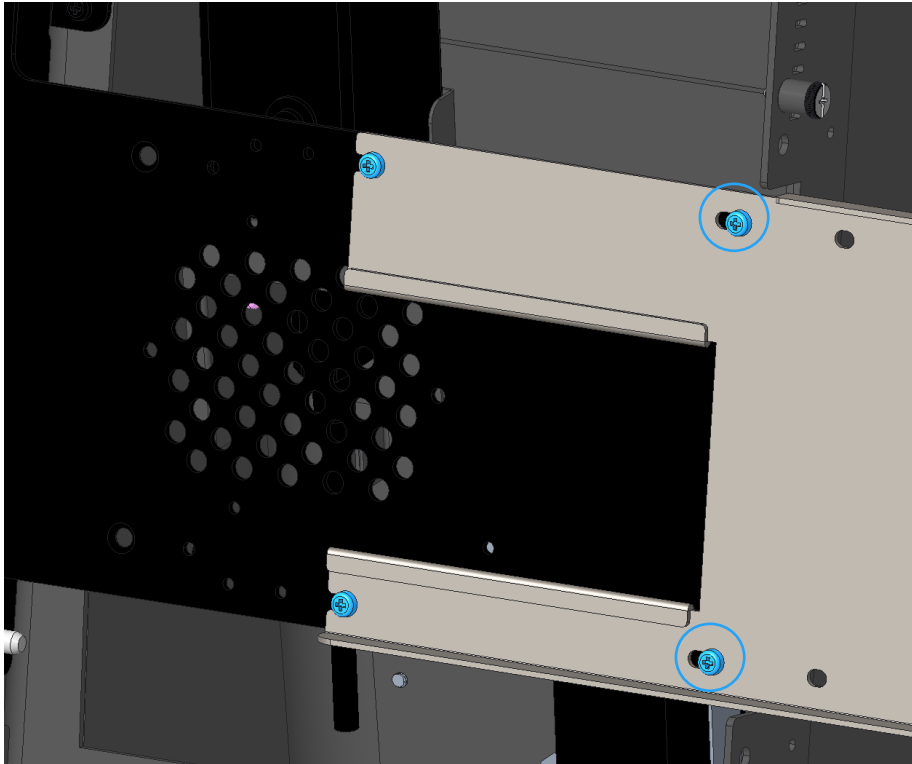
### Wallaby EMV Cradle Installation (Optional, if not installing skip to step **7.13**)

Note: Wallaby EMV Cradle kit P/Ns listed below are not compatible with ECMG4.



For Wallaby EMV Cradle kits (P/Ns E352169, E458797, E458992, E920661), add two screws to backpack bracket from EMV kit bag "P". Use screw position corresponding to display size as shown above. Leave 1/8" gap under screw heads.

## 7.8

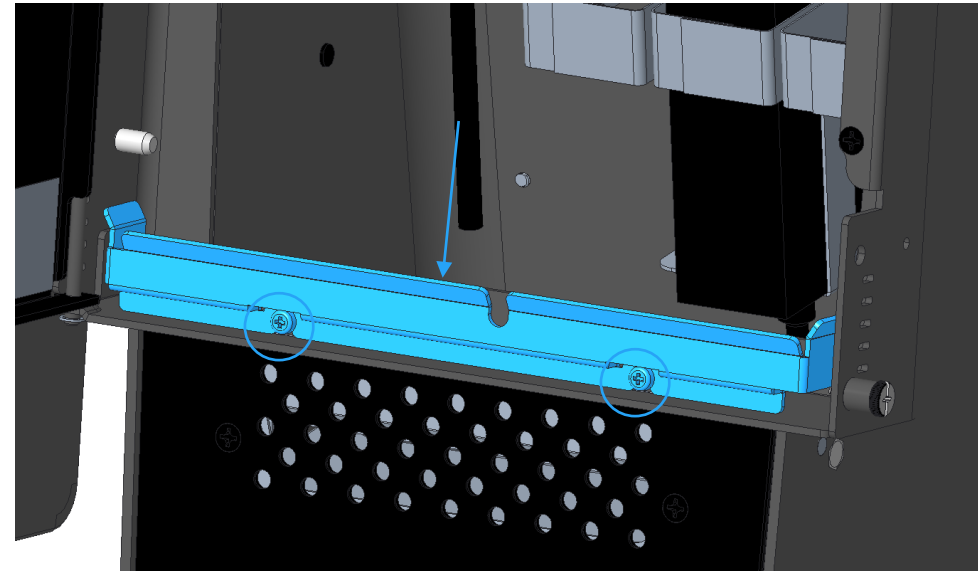


Assemble EMV Arm to backpack bracket. Add two screws from EMV kit bag "P" at rightmost position, and tighten two left screws to secure EMV Arm to backpack bracket. Complete EMV assembly starting at step 5 of EMV Cradle QIG and omitting final step of EMV Cradle QIG.

Skip to step **7.13**.

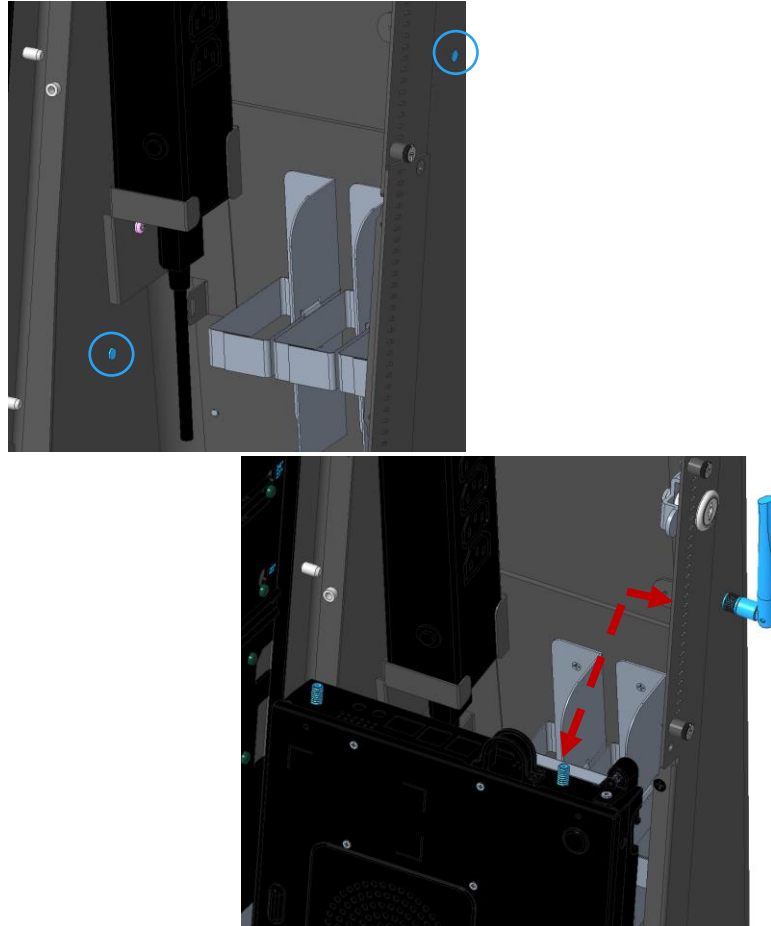
## 7.9

### ECMG4 Installation (Optional)



Discard backpack bracket. Attach ECMG4 Bracket by partially unscrewing two screws shown, sliding bracket into position, then tightening screws.

## 7.10



For Wi-Fi signal improvement, remove 2 rubber plugs circled.

Install male threaded end of one **SMA extension cable** into each hole and tighten nut to secure cable to stand.

Remove antenna from ECMG4 and install onto male end of **SMA extension cable** on outside of stand.

Attach female end of **SMA extension cable** to ECMG4.

Repeat with 2<sup>nd</sup> antenna.

## 7.11

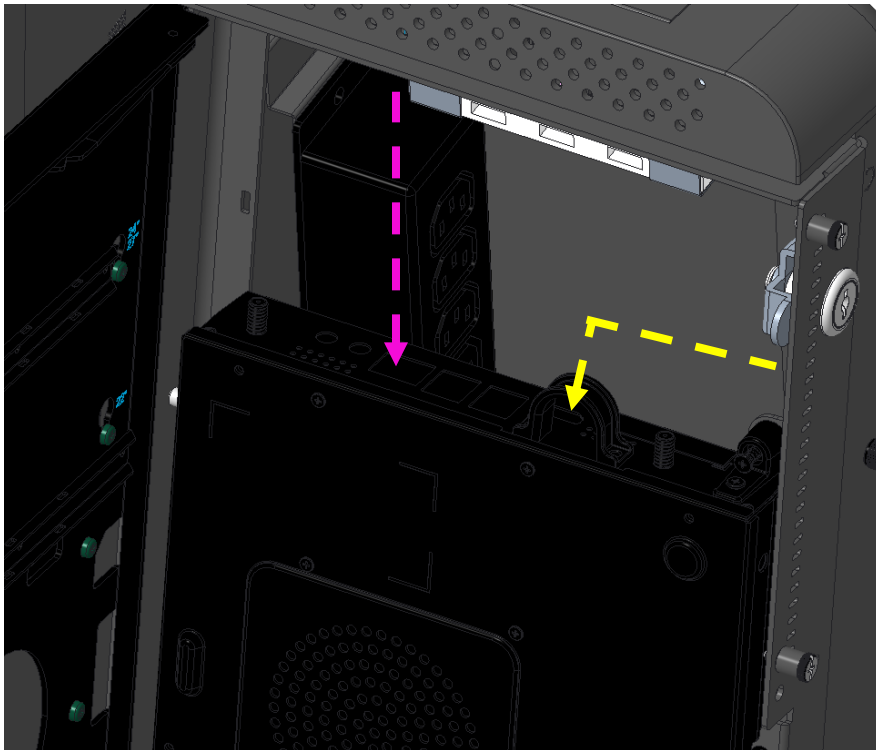
## ECMG4 Installation (Optional)



Connect ECMG4 power cable and LAN cable to ECMG4.

Slide ECMG4 down, behind ECMG4 bracket. Tighten upper right clamp screw to secure ECMG4 to stand.

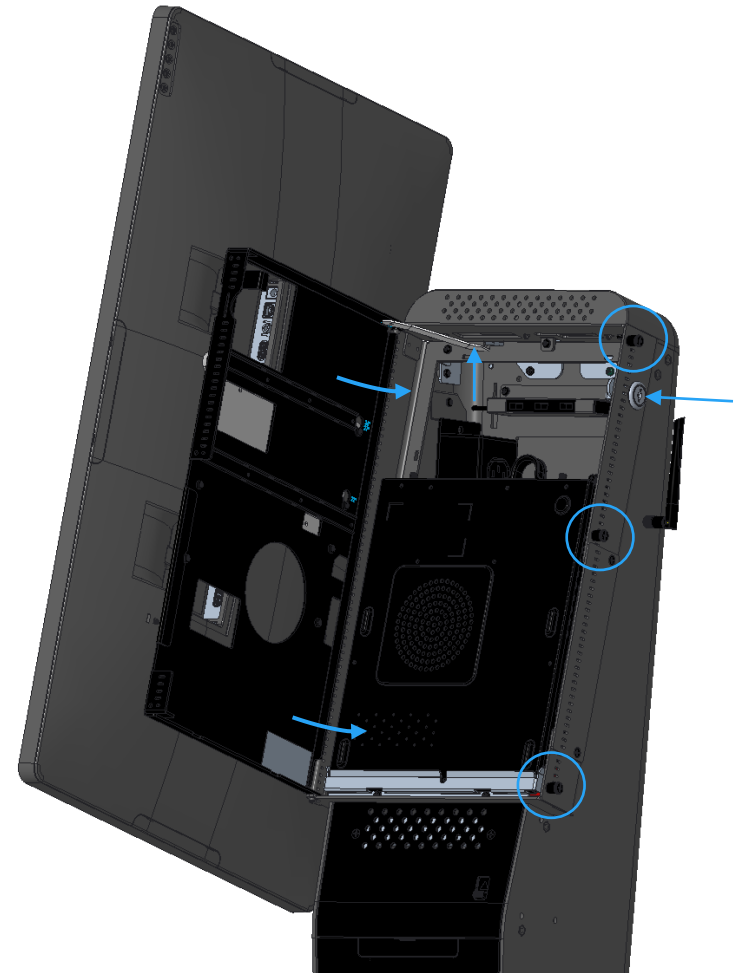
## 7.12



Make the following connections to ECMG4:

- USB-A cable from USB hub
- HDMI cable from display.

## 7.13



Push up on prop to disengage.

Close display door and tighten thumbscrews.

Lock display door using key if access control is required.

Assembly is complete.

Learn more about Elo at [EloTouch.com](https://www.elotouch.com).

**Americas**

Tel +1 408 597 8000  
EloSales.NA@elotouch.com

**Europe (EMEA)**

Tel +32 16 930 136  
EMEA.sales@elotouch.com

**Asia Pacific**

Tel +86 (21) 3329 1385  
EloAsia@elotouch.com

The information in this document is subject to change without notice. Elo Touch Solutions, Inc. and its Affiliates (collectively “Elo”) makes no representations or warranties with respect to the contents herein, and specifically disclaims any implied warranties of merchantability or fitness for a particular purpose. Elo reserves the right to revise this publication and to make changes from time to time in the content hereof without obligation of Elo to notify any person of such revisions or changes.

No part of this publication may be reproduced, transmitted, transcribed, stored in a retrieval system, or translated into any language or computer language, in any form or by any means, including, but not limited to, electronic, magnetic, optical, chemical, manual, or otherwise without prior written permission of Elo Touch Solutions, Inc.

Elo, the Elo logo and Wallaby are either trademarks or registered trademarks of Elo Touch Solutions, Inc.