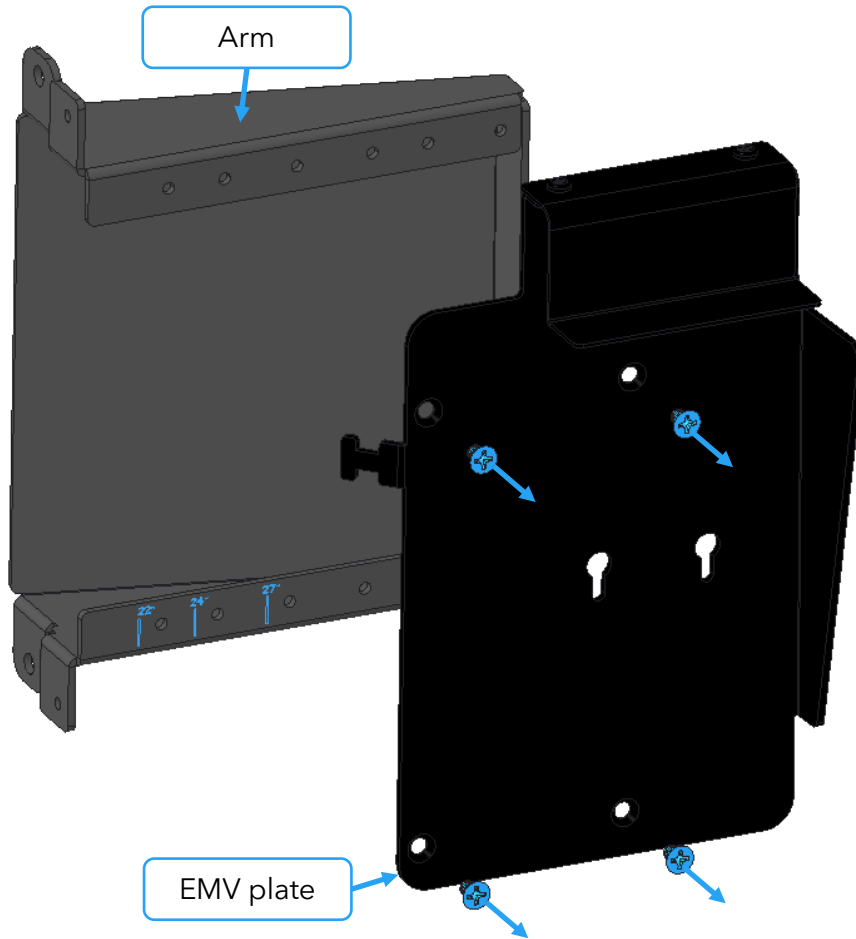


Cradle Assembly
Qty. 1

Hardware		
Mounting Screws	Qty.4	Screw, M4x8, Pan Head, Cross Recess, Black
P400 Screws	Qty.2	Screw, M3x6, Pan Head, Cross Recess, Black

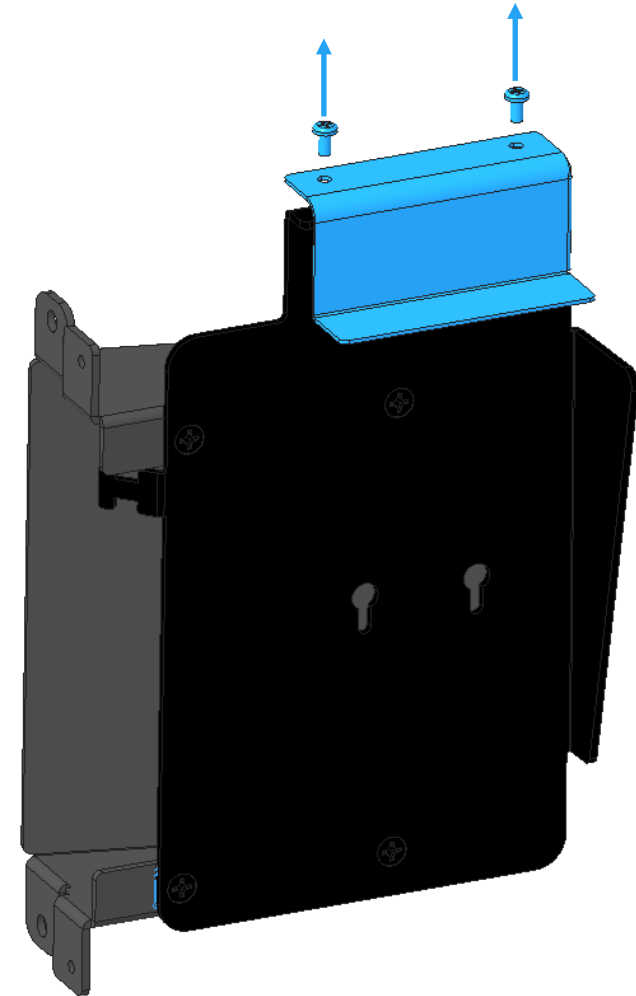
1



For assembly with 22" displays, skip to step **2**.

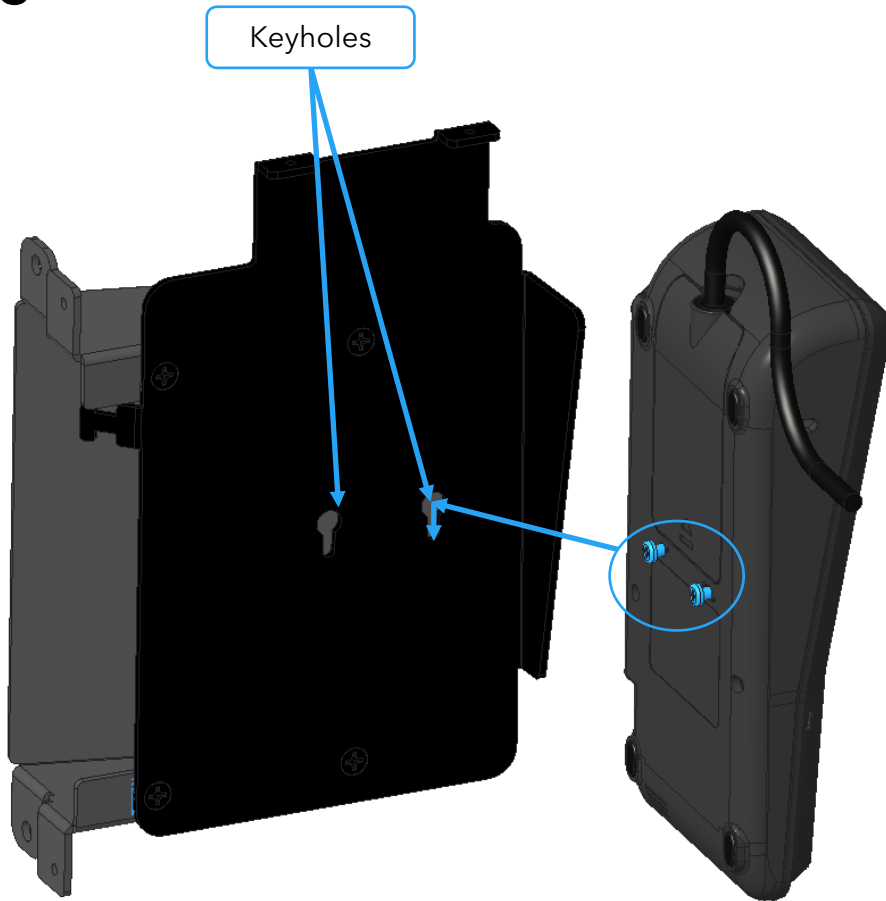
For assembly with 24" or 27" displays, remove four screws shown. Align left edge of EMV plate with corresponding mark on arm. Reattach EMV plate using four screws.

2



Disassemble cable cover by removing two screws. Reserve screws.

3



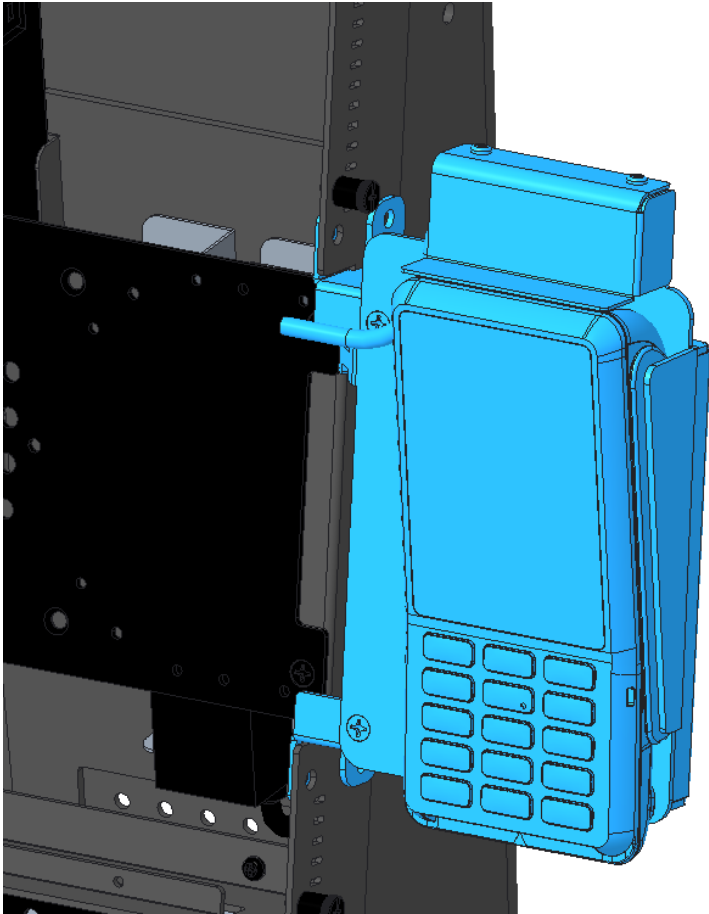
Add (2) screws for mounting EMV terminal from "P400 Screws" bag. Don't tighten screws completely. Leave approximately 3/32" (2mm) gap under screw head. Attach EMV terminal cable to terminal and slide terminal screws into keyholes on cradle assembly.

4



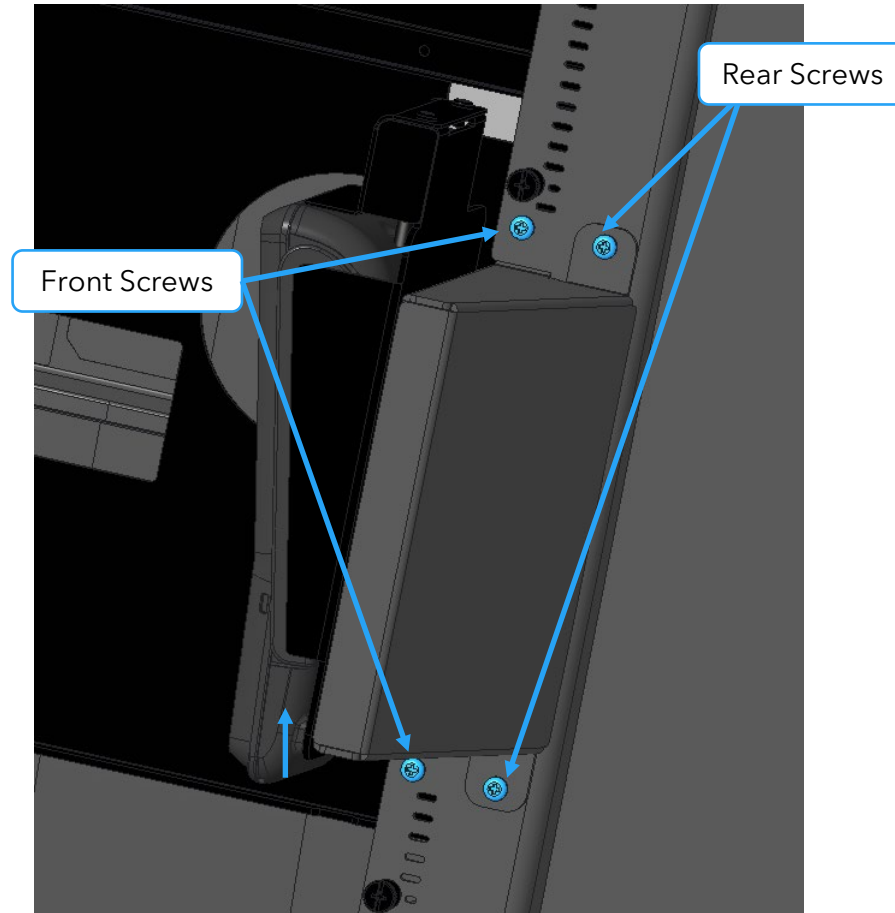
Reassemble cable cover by installing two screws. Route cable as shown and tie down using cable tie from Wallaby Pro accessories.

5



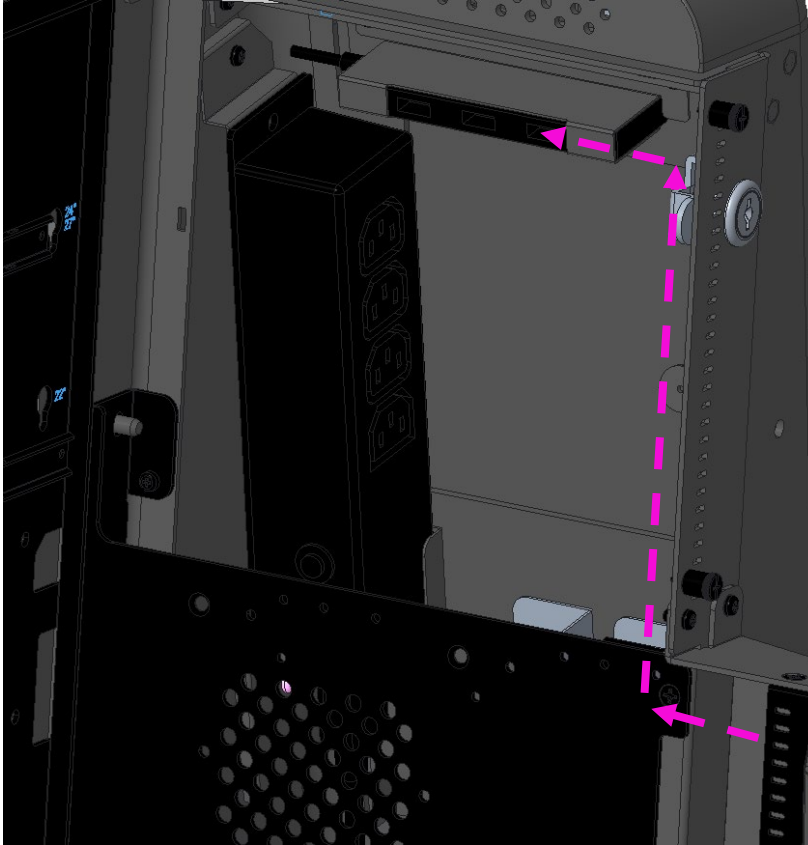
Assemble arm to stand, ensuring front tabs are inside opening in display bracket.

6



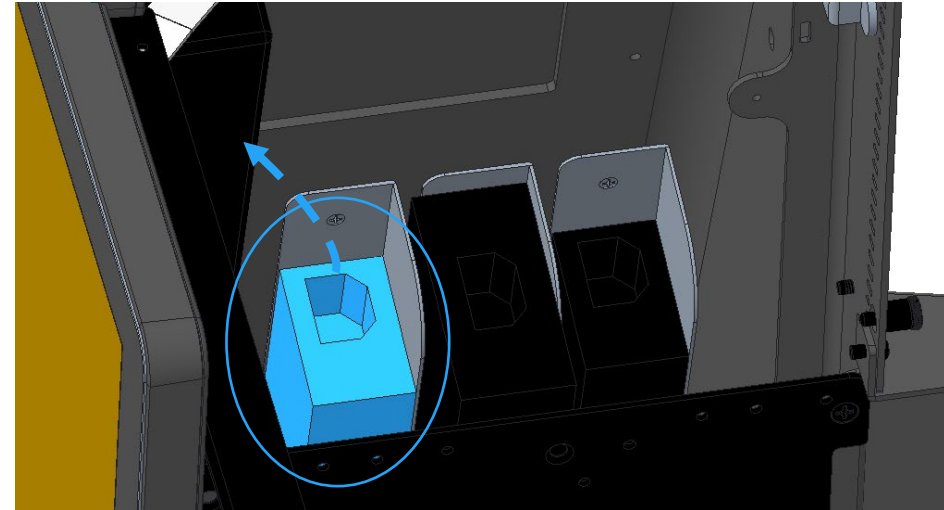
Partially install two rear screws (from "Mounting Screws" bag). Install two front screws from "Mounting Screws" bag. Fully tighten rear screws.

7



Route **USB cable** from EMV terminal to USB hub.

8



If EMV terminal includes a DC power supply, remove AC cable from power supply, and install power supply in left bay as shown. Secure power supply with velcro strap. Use a 0.3m power cable from the Wallaby Pro accessories (either C5 or C13, depending on the printer power supply) to connect the power supply to the power strip.

If EMV terminal includes wall-wart style adapter, an IEC C13 to AC adapter is required. For North America, StarTech P/N **PAC100** is recommended.



Return to Wallaby Pro assembly instructions to complete assembly.

Learn more about Elo at [EloTouch.com](https://www.elotouch.com).

Americas

Tel +1 408 597 8000
EloSales.NA@elotouch.com

Europe (EMEA)

Tel +32 16 930 136
EMEA.sales@elotouch.com

Asia Pacific

Tel +86 (21) 3329 1385
EloAsia@elotouch.com

The information in this document is subject to change without notice. Elo Touch Solutions, Inc. and its Affiliates (collectively “Elo”) makes no representations or warranties with respect to the contents herein, and specifically disclaims any implied warranties of merchantability or fitness for a particular purpose. Elo reserves the right to revise this publication and to make changes from time to time in the content hereof without obligation of Elo to notify any person of such revisions or changes.

No part of this publication may be reproduced, transmitted, transcribed, stored in a retrieval system, or translated into any language or computer language, in any form or by any means, including, but not limited to, electronic, magnetic, optical, chemical, manual, or otherwise without prior written permission of Elo Touch Solutions, Inc.

Elo, the Elo logo and Wallaby are either trademarks or registered trademarks of Elo Touch Solutions, Inc.