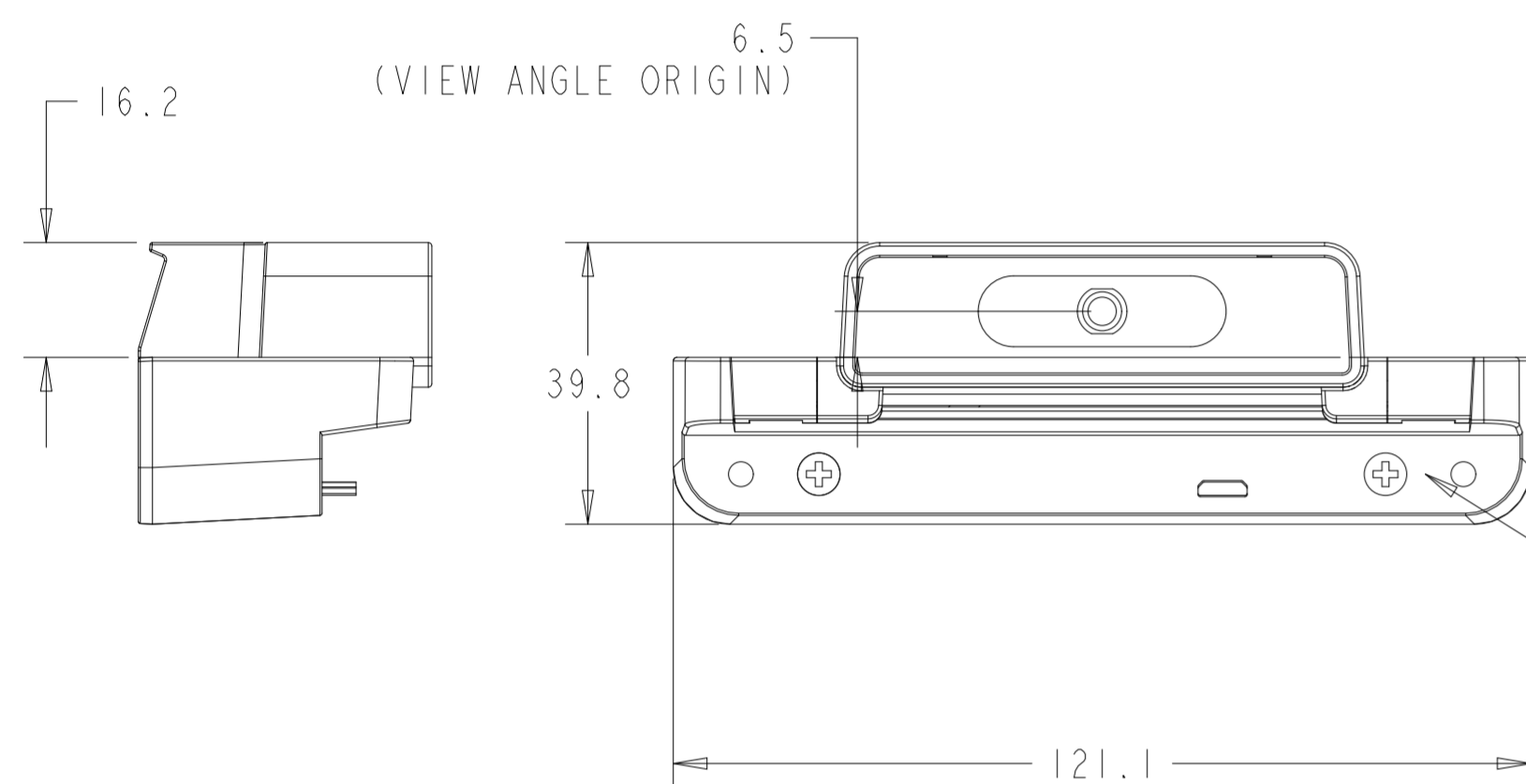
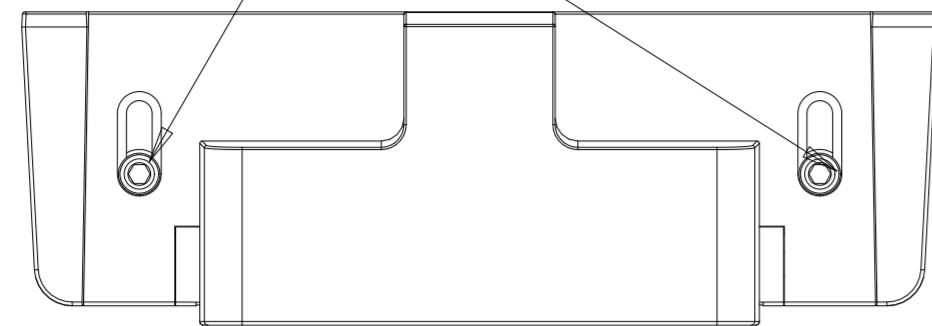
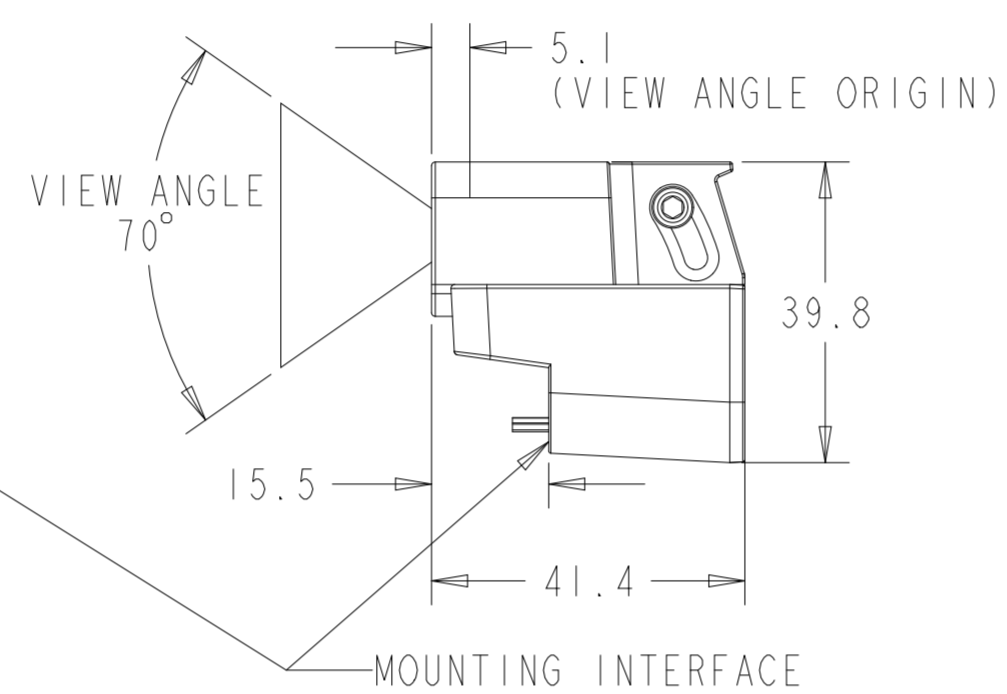


DIMENSIONAL DRAWING: WEBCAM IDS02S

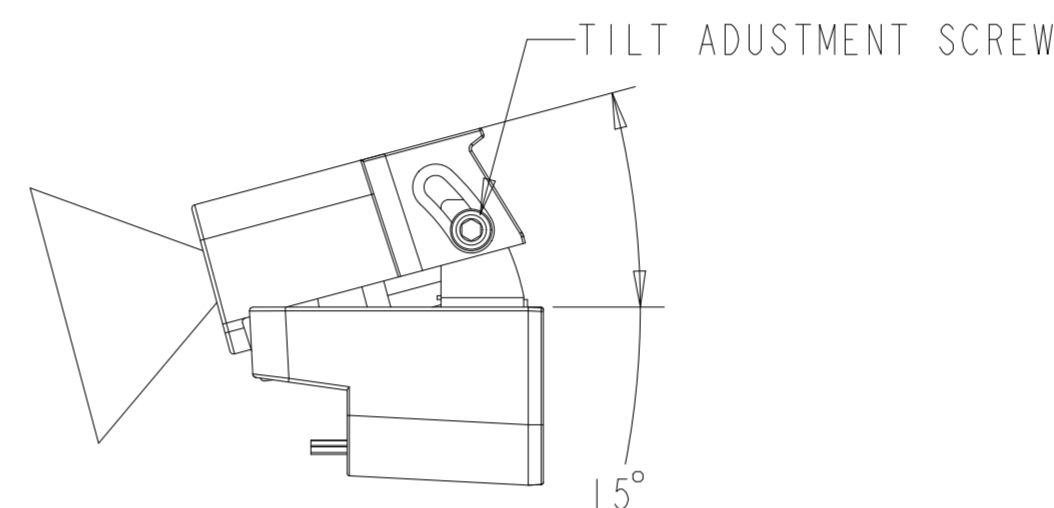
FORWARD ADJUSTMENT SCREWS



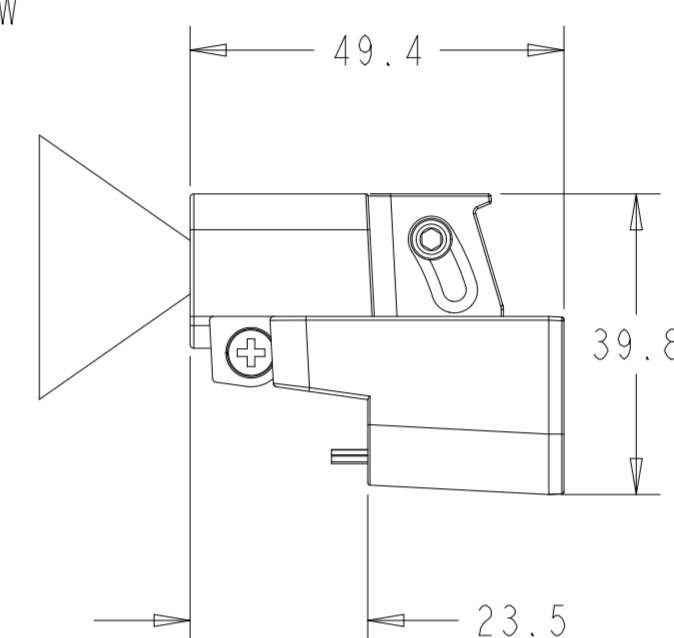
MIN FORWARD POSITION



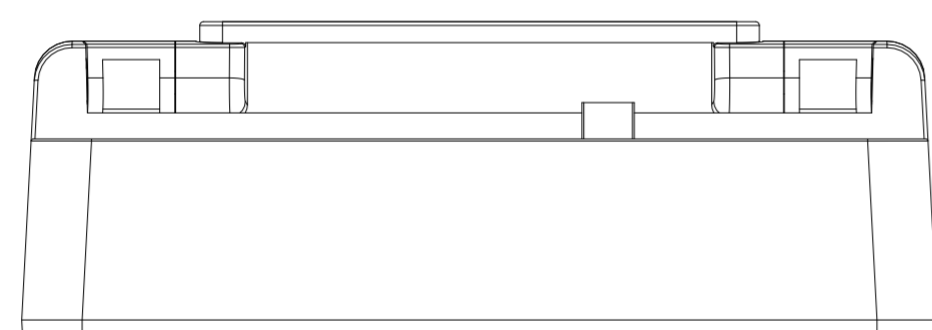
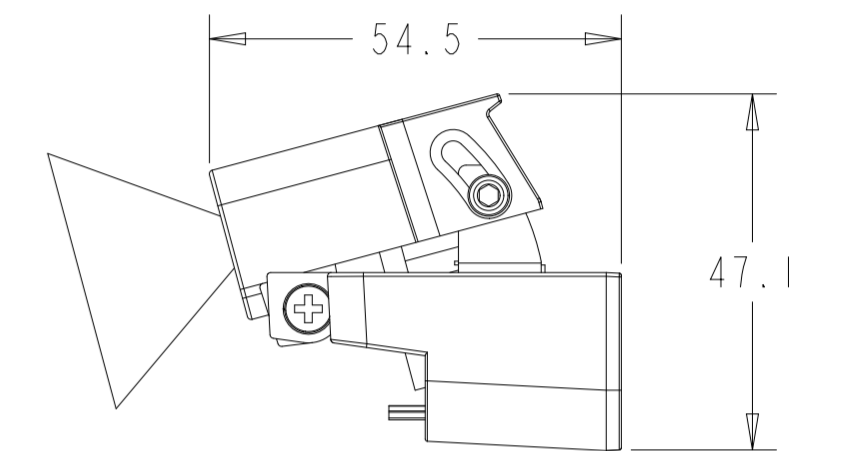
MAX DOWNWARD TILT



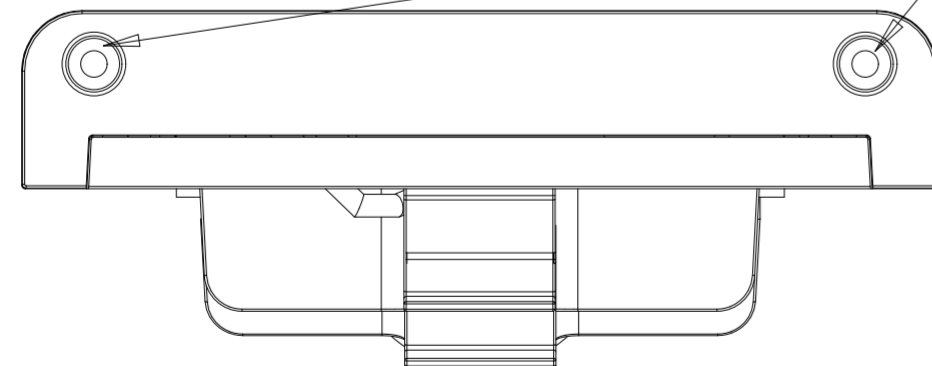
MAX FORWARD POSITION



MAX FORWARD + TILT POSITION

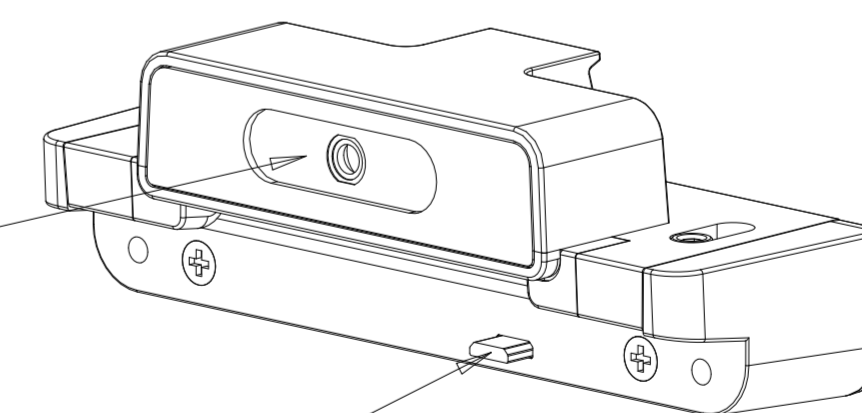


TOUCHMONITOR MOUNTING HOLES



CLEAR GLASS VIEW SCREEN

ELECTRICAL CONNECTION



DIMENSIONS ARE IN MILLIMETERS

SHEET 1 OF 1

**elo**

MS601845

DATE: 12/14/2016

REV: A