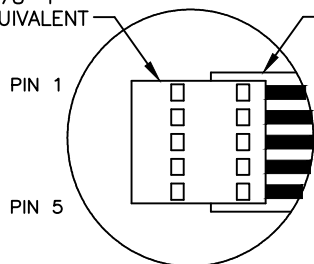


THIS DRAWING IS A CONTROLLED DOCUMENT. DRAWING NO. MS600217

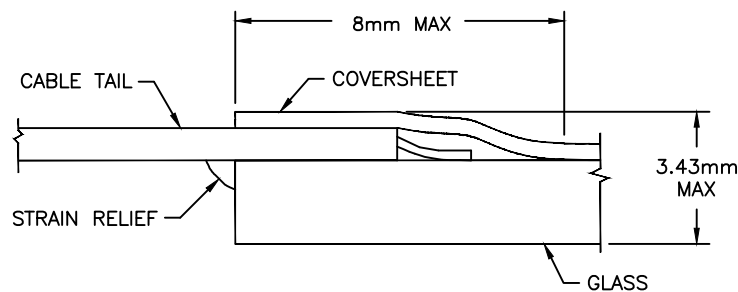
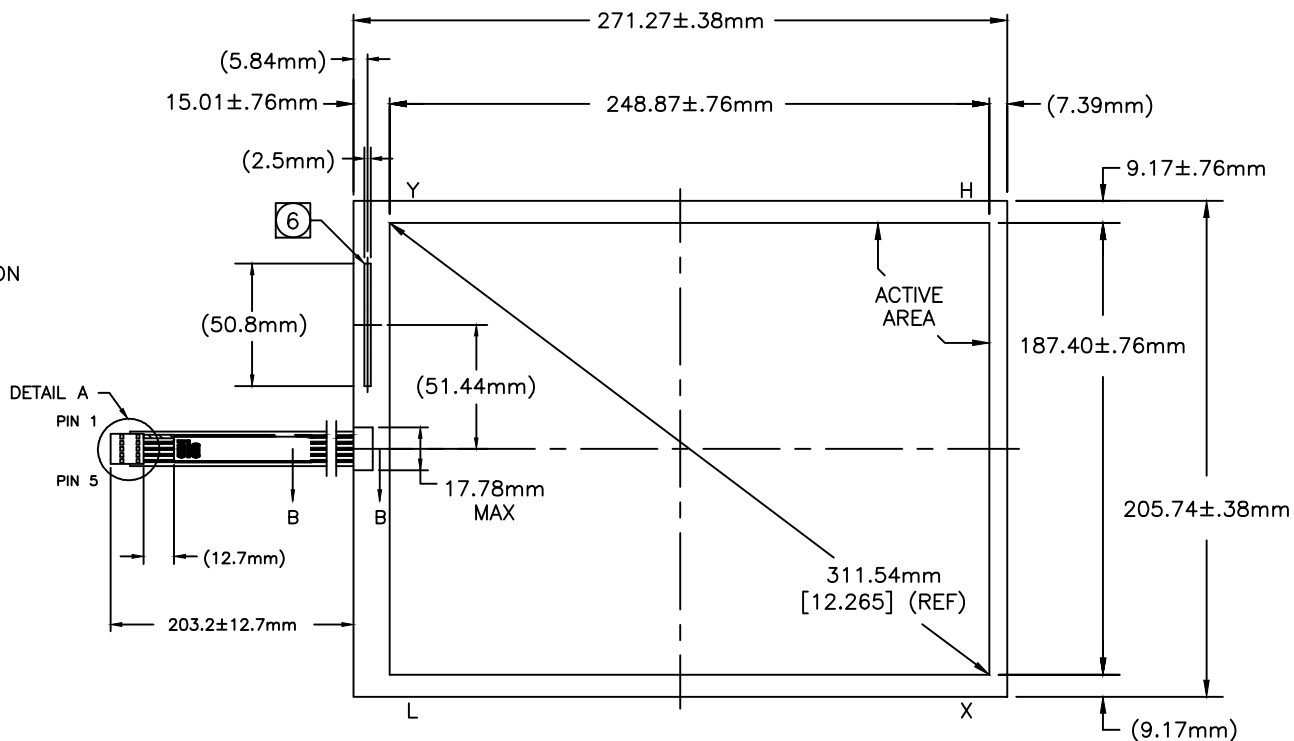
CONNECTOR PINOUT	
PIN NO.	DESIGNATION
1	H
2	X
3	S
4	Y
5	L

TYCO (AMP)
487378-4
OR EQUIVALENT



DETAIL A
NTS

CABLE POSITION



SECTION B-B
NTS

NOTES:

- GLASS THICKNESS 2.36mm NOMINAL.
- FINISHED PART THICKNESS 2.67mm NOMINAL.
- FINISHED PART THICKNESS AT CABLE ATTACHMENT AREA 3.43mm MAX.
- LABEL TO BE ATTACHED TO FRONT SIDE OF CABLE.
- CABLE IS ATTACHED TO THE LEFT SIDE OF TOUCHSCREEN AT CENTER POINT AS SHOWN.
- FINISHED PART THICKNESS AT THE COVERSHEET CONTACT 3.05mm MAX.

LOC
DIST

REV	DESCRIPTION	DATE	DW	APVD
C	REV PER ECO-13-0174, REMOVED TOUCH SOLUTIONS FROM LOGO	06/01/13	DI	
B	REVISED PER ECO-12-015013 ELO TITLE BLOCK WAS TE	09/10/12	DI	
A	INITIAL RELEASE	03/13/06		
P	LTR			

DIMENSIONS: mm		TOLERANCES UNLESS OTHERWISE SPECIFIED:	
		0	PLC ± -
		1	PLC ± -
		2	PLC ± -
		3	PLC ± -
ANGLES ± -		SURFACE TEXTURE N/A	

DWN	MATERIAL	ACCUTOUCH	HEAT TREAT
CHK			
APVD			
NAME			
DIMENSIONAL DRAWING, SCN-A5-FLT12.1-Z01-OH1-R			
SCALE	SIZE	DRAWING NO	SHEET
1:1	A2	MS600217	1 of 1
			REV C

THIS INFORMATION IS CONFIDENTIAL AND PROPRIETARY TO ELO TOUCH SOLUTIONS. IT IS NOT TO BE DISCLOSED TO ANYONE, OTHER THAN ELO PERSONNEL, WITHOUT THE APPROVAL OF ELO TOUCH SOLUTIONS.