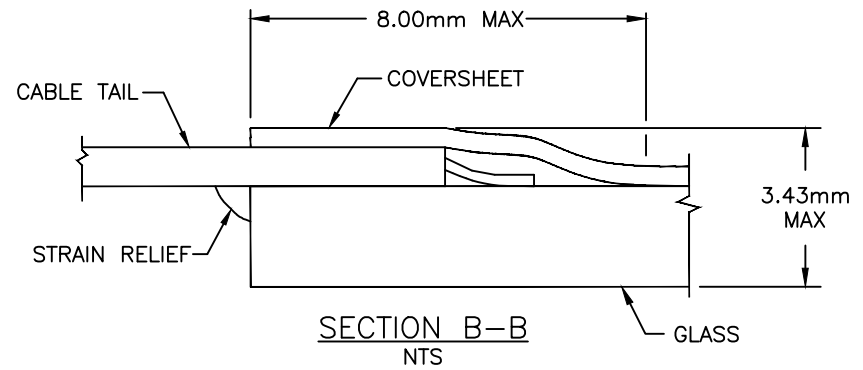
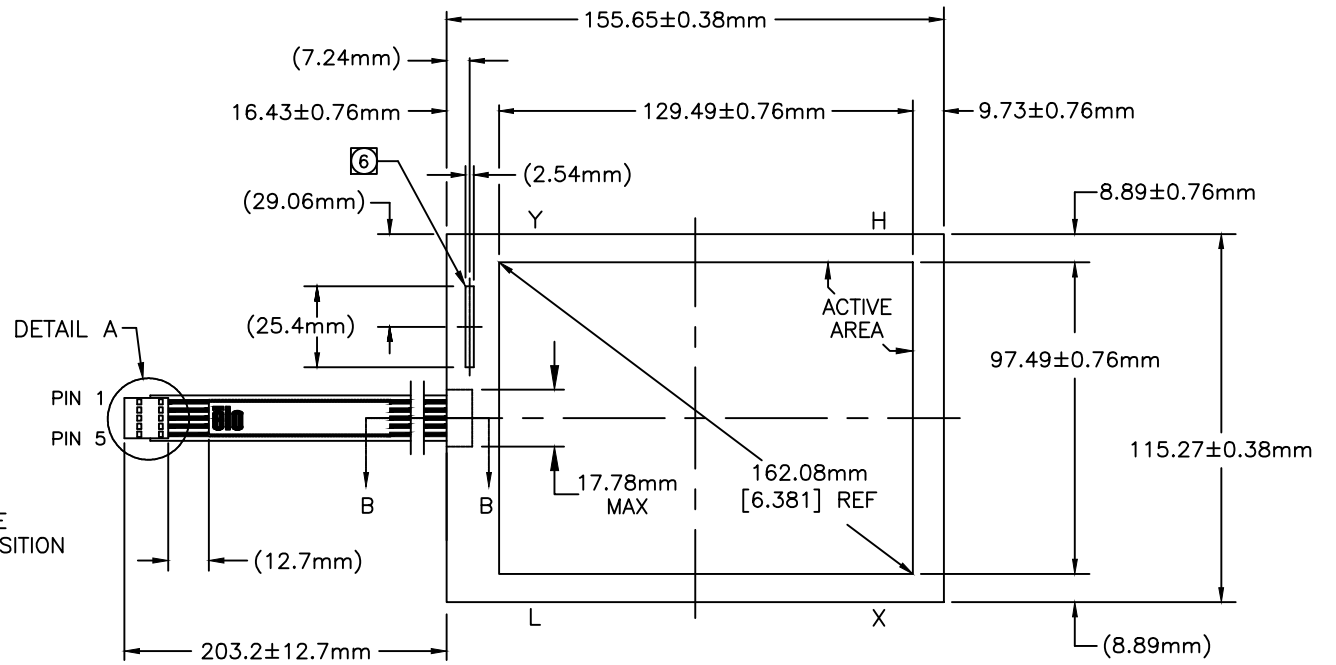
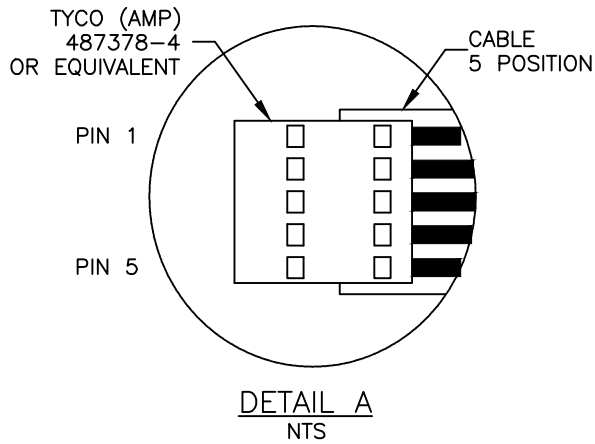


CONNECTOR PINOUT

PIN NO.	DESIGNATION
1	H
2	X
3	S
4	Y
5	L

THIS DRAWING IS A CONTROLLED DOCUMENT. PART NO. MS600317



NOTES:

- GLASS THICKNESS 2.36mm NOMINAL.
- FINISHED PART THICKNESS 2.67mm NOMINAL.
- FINISHED PART THICKNESS AT CABLE ATTACHMENT AREA 3.43mm MAX.
- LABEL TO BE ATTACHED TO FRONT SIDE OF CABLE.
- CABLE IS ATTACHED TO THE LEFT SIDE OF TOUCHSCREEN AT CENTER POINT AS SHOWN.
- FINISHED PART THICKNESS AT THE COVERSHEET CONTACT 3.05mm MAX.

REV	DESCRIPTION	DATE	BY	APP'D
C	REV PER ECO-13-0174, REMOVED TOUCH SOLUTIONS FROM LOGO	06/01/13	DI	
B	REVISED PER ECO-12-015013 ELO TITLE BLOCK WAS TE	09/10/12	DI	
A	INITIAL RELEASE	04/05/06		
P	LTR	REVISION RECORD	DATE	DWN

DIMENSIONS:	mm
TOLERANCES UNLESS OTHERWISE SPECIFIED:	0 PLC ± -
	1 PLC ± -
	2 PLC ± -
	3 PLC ± -
	4 PLC ± -
ANGLES ±	-
SURFACE TEXTURE	N/A

DWN	MATERIAL	ACCUTOUCH	HEAT TREAT
CHK			
APP'D			
NAME			
DIMENSIONAL DRAWING, SCN-A5-FLT06.4-Z02-0H1-R			
SCALE	SIZE	DRAWING NO	SHEET
1:1	A2	MS600317	1 of 1
REV	C		

THIS INFORMATION IS CONFIDENTIAL AND PROPRIETARY TO ELO TOUCH SOLUTIONS. IT IS NOT TO BE DISCLOSED TO ANYONE OTHER THAN ELO PERSONNEL, WITHOUT THE APPROVATION FROM ELO (www.elotouch.com).

LOC
DIST