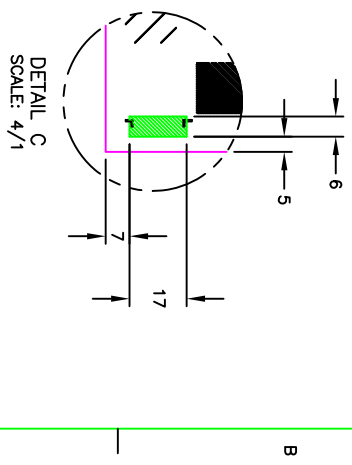
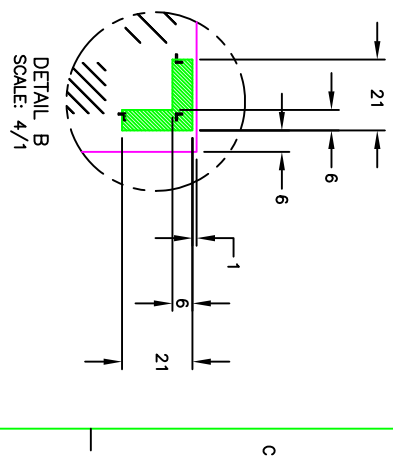
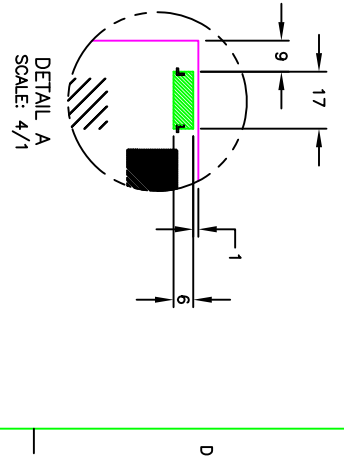


NOTES:

- 1 ALL DIMENSIONS ARE IN MILLIMETERS.
- 2 GLASS THICKNESS: 2.8.
- 3 TRANSDUCERS KEEP OUT AREAS PER DETAILS A THRU C. HEIGHT OF TRANSDUCER ABOVE GLASS: 3.6 MAX.
- 4 NO MATERIAL EXTENDS MORE THAN 0.8 BEYOND THE BACK SURFACE OF THE GLASS.
- 5 BERG 65043-031, 2 X 6 HOUSING WITH BERG 48239-000 RECEPTACLES, DIRECTLY MATES WITH ANY OF THE FOLLOWING:
 - INTELLITOUCH SERIAL CONTROL BOARD
 - 012226 CABLE (2X6 TO 8" DB9 BULKHEAD)
- 6 THE TOUCH ACTIVE AREA IS LESS THAN THE VIEWABLE AREA TO FACILITATE SEALING.
- 7 CABLE JACKET STRIPPED 115 FOR EASE DURING THE INTEGRATION PROCESS.
- 8 SURFACE QUALITY SPECIFICATION: ES600051 (LEVEL 2).
- 9 BLACK TAPES APPLIED AROUND THE GLASS EDGES.
- 10 SCREEN IS DESIGNED TO FIT INTO 46.0" LCD (WIDE FORMAT, 16:9 ASPECT RATIO).

CONNECTION CHART

PIN	SIGNAL	INSULATION COLOR	JACKET COLOR
1	GROUND	OVERALL SHIELD	
2	KEY		
3	Y RECEIVE (+)	BLU	BLK
4	Y TRANSMIT (+)	BLU	GRY
5	Y RECEIVE (-)	BLK	BLK
6	Y TRANSMIT (-)	YEL	GRY
7	GROUND	INNER SHIELD	
8	X TRANSMIT (-)	RED	RED
9	X RECEIVE (-)	RED	BLK
10	X TRANSMIT (+)	GRN	RED
11	X RECEIVE (+)	WHT	BLK
12	KEY		



LOC 08
DIST 10

REV	DATE	BY	APP'D	DESCRIPTION
D	03/21/12	DI		REVISED PER ECO-10-402356, ADDED
C	09/14/10	LA		REVISED PER ECO-11-014341, FULL PRODUCTION RELEASE
B	09/14/10	LA		REVISED PER ECO-10-018877, CABLE LENGTH CHANGE
A	06/03/10	LA		INITIAL RELEASE PER ECO-10-011709

REV	DATE	BY	APP'D	DESCRIPTION
D	03/21/12	DI		REVISED PER ECO-10-402356, ADDED
C	09/14/10	LA		REVISED PER ECO-11-014341, FULL PRODUCTION RELEASE
B	09/14/10	LA		REVISED PER ECO-10-018877, CABLE LENGTH CHANGE
A	06/03/10	LA		INITIAL RELEASE PER ECO-10-011709

REV	DATE	BY	APP'D	DESCRIPTION
D	03/21/12	DI		REVISED PER ECO-10-402356, ADDED
C	09/14/10	LA		REVISED PER ECO-11-014341, FULL PRODUCTION RELEASE
B	09/14/10	LA		REVISED PER ECO-10-018877, CABLE LENGTH CHANGE
A	06/03/10	LA		INITIAL RELEASE PER ECO-10-011709

DATE: 01/22/10
 INTENT: INTELLITOUCH
 HEAT TREAT: CLEAR
STE
 TE Connectivity
 DIMENSIONAL DRAWING
 SCREEN: FL460-002-08-R
 SHEET 1 OF 1
 DRG NO: MS600874

SCALE: 1:1
 SCALE: A2
 SCALE: 4/1

DRG NO: E082698

3500-7 (04/11)

THIS INFORMATION IS CONFIDENTIAL AND PROPRIETARY TO TTEC ELECTRONICS CORPORATION AND ITS AFFILIATED SUBSIDIARIES AND AFFILIATES. IT MAY NOT BE DISCLOSED TO ANYONE, EITHER ORALLY OR IN WRITING, WITHOUT AUTHORIZATION FROM TTEC.COM.