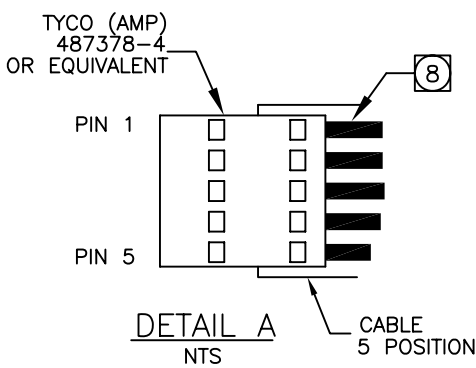
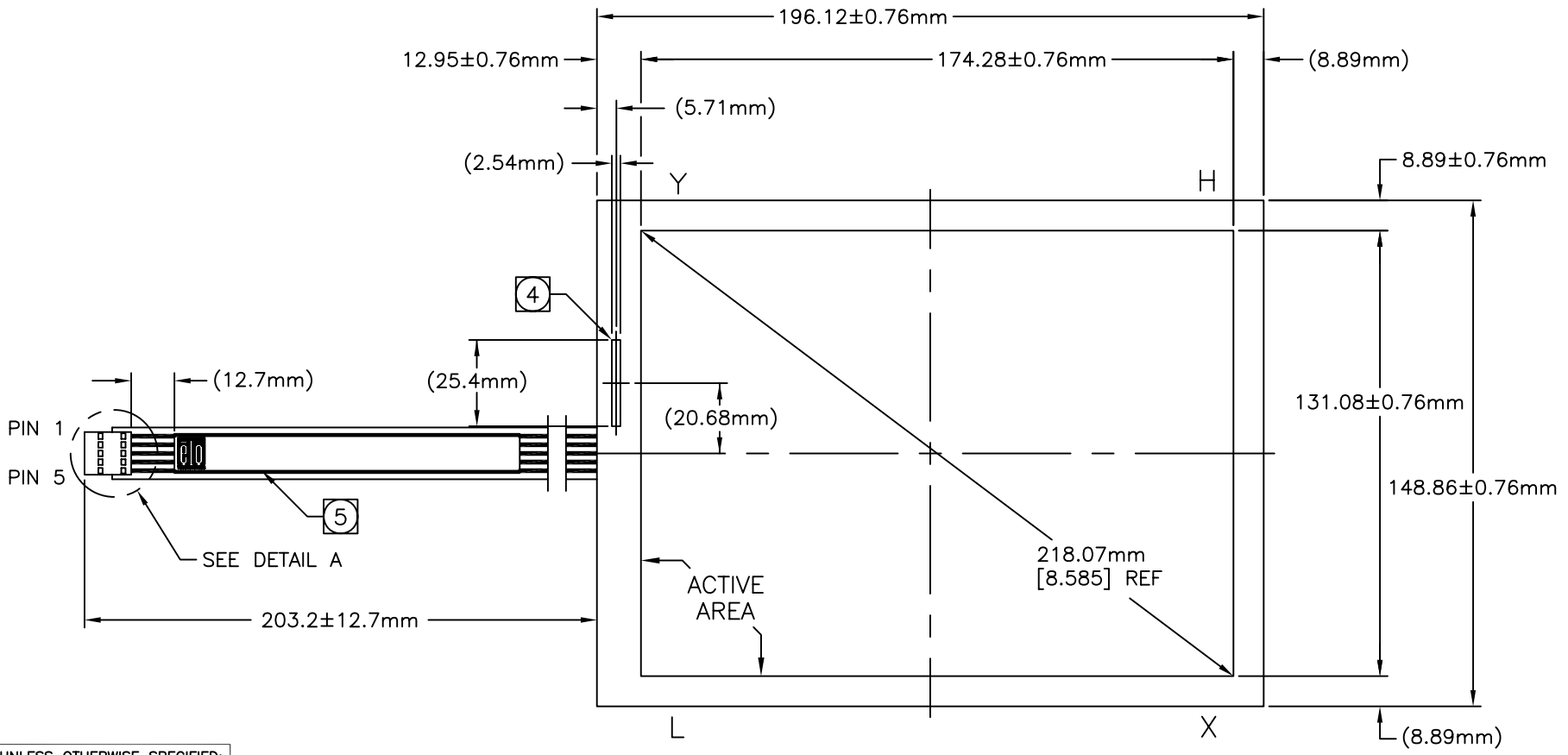


CONNECTOR PINOUT 6	
PIN NO.	DESIGNATION
1	Y
2	H
3	S
4	L
5	X



ACCUTOUCH® TOUCHSCREEN
SCN-A5-FLT08.4-002-OH1-R
ELO P/N: E156078

- NOTES:**
- GLASS THICKNESS 1.60mm NOMINAL.
 - FINISHED PART THICKNESS 1.88mm NOMINAL.
 - FINISHED PART THICKNESS AT CABLE ATTACHMENT AREA 2.64mm MAX.
 - 4 FINISHED PART THICKNESS AT COVERSHEET CONTACT 2.29mm MAX.
 - 5 LABEL TO BE ATTACHED TO FRONT SIDE OF CABLE.
 - 6 THE CONNECTOR PIN OUT IS NON-STANDARD AND WILL REQUIRE AN ADAPTER TO WORK WITH THE CONTROLLER.
 - CABLE IS ATTACHED TO THE LEFT SIDE OF TOUCHSCREEN AT CENTER POINT AS SHOWN.
 - 8 PIN 1 TO BE LOCATED AS SHOWN IN DETAIL A.



UNLESS OTHERWISE SPECIFIED:
DIMENSIONS ARE IN mm

