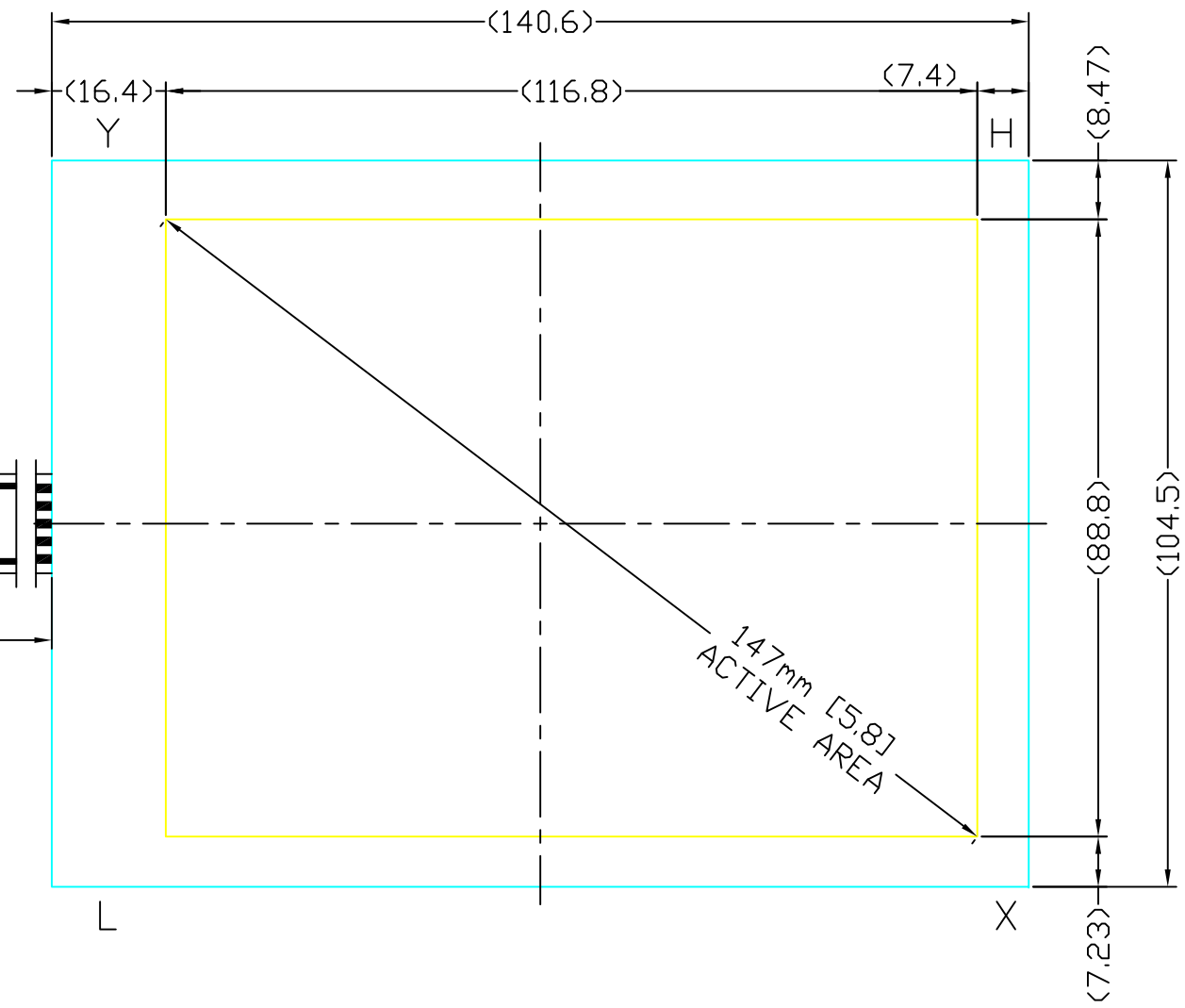
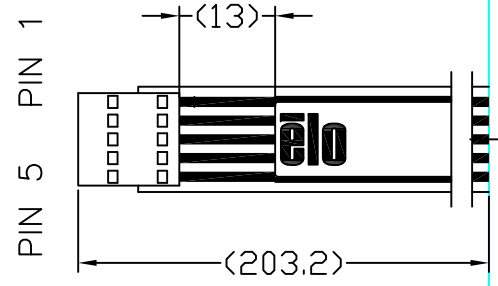


THIS DRAWING IS A CONTROLLED DOCUMENT. DWM NO MS601382

CONNECTOR PINOUT	
PIN NO.	DESIGNATION
1	H
2	X
3	S
4	Y
5	L



- NOTES:**
- ASSEMBLE PER ES500024.
 - GLASS THICKNESS 1.8mm NOMINAL.
 - FINISHED PART THICKNESS 2.12mm.

LOC 08
DIST 08

P	LTR	REVISION RECORD	DATE	DWM	APVD
A		ECO-13-0113: INITIAL RELEASE	04/30/13	QC	QC

DIMENSIONS:	mm
TOLERANCES UNLESS OTHERWISE SPECIFIED:	
0 PLC	± .8
1 PLC	± .4
2 PLC	± .2
3 PLC	± -
4 PLC	± -
ANGLES:	1/2°
SURFACE TEXTURE	N/A

DWG	D.I.	09/27/12	MATERIAL	N/A	HEAT TREAT	N/A
CHK						
APVD	Q. CHUNG	10/30/12				
NAME						
DIMENSIONAL DRAWING						
SCN-A5-FLT05.7-Z31-0H1-R						
SCALE	1:1	SIZE	A2	DRAWING NO	MS601382	SHEET
						1 of 1
						REV A