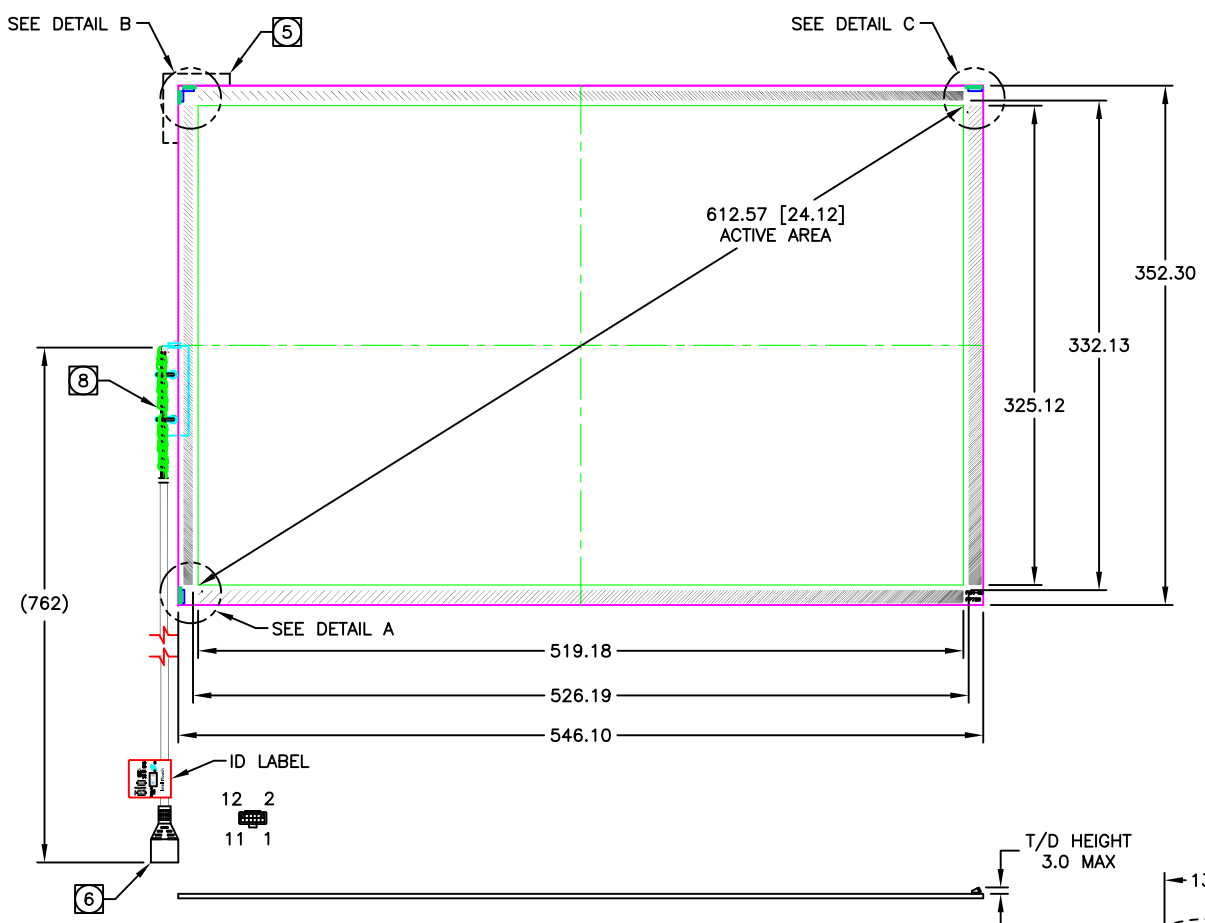


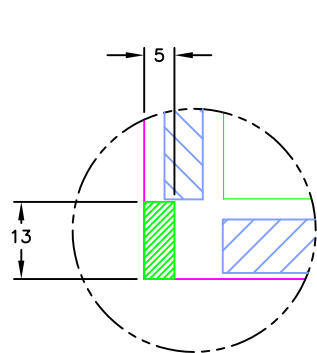
THIS DRAWING IS A CONTROLLED DOCUMENT. (REV NO) MS600207



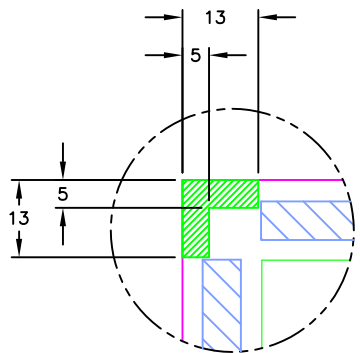
NOTES:

- 1 ALL DIMENSIONS ARE IN MILLIMETERS.
- 2 GLASS THICKNESS: 3.0.
- 3 TRANSDUCERS KEEP OUTS PER DETAILS A THRU C. HEIGHT OF TRANSDUCER ABOVE GLASS: 3.0 MAX.
- 4 NO MATERIAL EXTENDS MORE THAN 0.8 BEYOND THE BACK SURFACE OF THE GLASS.
- 5 CABLE ROUTING (ALONG THE TOP EDGE) ADDS 2.5 MAX. AS INDICATED ON THE SCREEN.
- 6 BERG 65043-031, 2x6 HOUSING WITH BERG 48239-000 RECEPTACLES, DIRECTLY MATES WITH ANY OF THE FOLLOWING:
-INTELLITOUCH SERIAL CONTROL BOARD
-012226 CABLE (2 X 6 TO 8" DB9 BULKHEAD)
- 7 THE TOUCH ACTIVE AREA IS LESS THAN THE VIEWABLE AREA TO FACILITATE SEALING.
- 8 CABLE JACKET STRIPPED 152 FOR EASE DURING THE INTEGRATION PROCESS.
- 9 SURFACE QUALITY SPECIFICATION: ES500051 (LEVEL 2). ELLIPTICAL BUBBLES TO BE CLASSIFIED AS LINEAR DEFECTS, MAXIMUM LENGTH=12.5 AND MAXIMUM WIDTH=0.25.

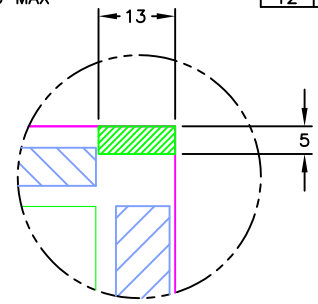
CONNECTION CHART			
PIN	SIGNAL	INSULATION COLOR	JACKET COLOR
1	GROUND	OVERALL SHIELD	
2	KEY		
3	Y RECEIVE (+)	BLU	BLK
4	Y TRANSMIT (+)	BLU	GRY
5	Y RECEIVE (-)	BLK	BLK
6	Y TRANSMIT (-)	YEL	GRY
7	GROUND	INNER SHIELD	
8	X TRANSMIT (-)	RED	RED
9	X RECEIVE (-)	RED	BLK
10	X TRANSMIT (+)	GRN	RED
11	X RECEIVE (+)	WHT	BLK
12	KEY		



DETAIL A
SCALE: 4/1



DETAIL B
SCALE: 4/1



DETAIL C
SCALE: 4/1

REV	DESCRIPTION	DATE	BY	APP'D
F	REV PER ECO-13-0127, REMOVED TOUCH SOLUTIONS FROM LOGO	05/10/13	DI	
E	REVISED PER ECO-12-015013 ELO TITLE BLOCK WAS TE	09/10/12	DI	
D	ECO-12-015857: PD200 GLASS CONVERSION	08/31/12	LA	LA
P	LTR REVISION RECORD			

DIMENSIONS:	mm
TOLERANCES UNLESS OTHERWISE SPECIFIED:	
0 PLC	± .8
1 PLC	± .4
2 PLC	± .2
3 PLC	± .1
4 PLC	± .1
ANGLES:	1/2°
SURFACE TEXTURE:	N/A

DATE	01/31/07	MATERIAL	INTELLITOUCH	HEAT TREAT	HIGH RESOLUTION
CHK					ANTI-GLARE
AP'D					
NAME: DIMENSIONAL DRAWING, SCN-IT-FLT24.0-002-024-R					
SCALE	1:1	SIZE	A2	DRAWING NO	MS600207
SHEET	1	OF	1	REV	F

THIS INFORMATION IS CONFIDENTIAL AND PROPRIETARY TO ELO. IT IS NOT TO BE DISCLOSED TO ANYONE OTHER THAN ELO PERSONNEL, WITHOUT THE APPROVATION FROM ELO (www.elosolutions.com).