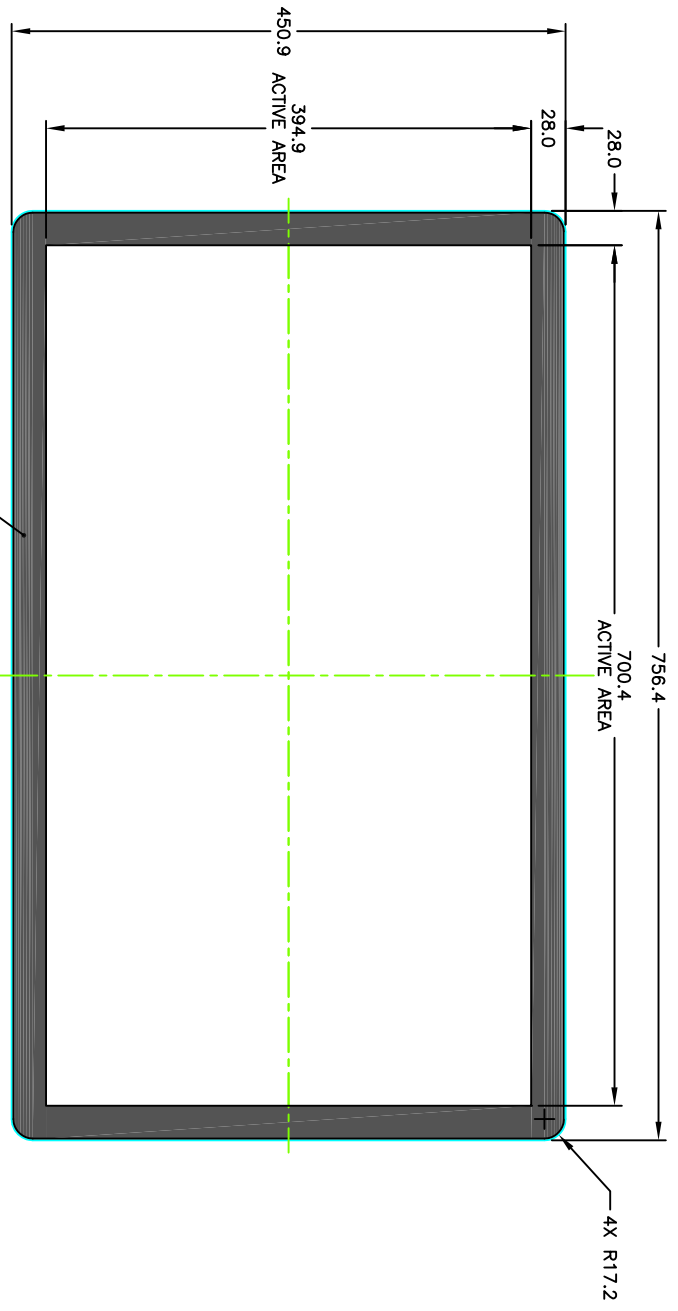


THIS INFORMATION IS CONFIDENTIAL AND PROPRIETARY TO ELO TOUCH SOLUTIONS INC AND ITS VENDORS. IT MAY NOT BE DISCLOSED TO ANYONE OTHER THAN ELO PERSONNEL, WITHOUT AUTHORIZATION FROM ELO. WWW.ELOTOUCH.COM.



BLACK INK PRINTED ON FAR SIDE

NOTES:

- 1 ALL DIMENSIONS ARE IN MILLIMETERS.
- 2 GLASS THICKNESS: 2.8 (CLEAR FINISH).
- 3 TRANSDUCERS ARE LOCATED IN THE POSITION SHOWN. HEIGHT OF TRANSDUCER ABOVE GLASS SURFACE: 3.2 MAX.
- 4 BERG 65043-031, 2 X 6 HOUSING WITH BERG 48239-000 RECEPTACLES, DIRECTLY MATES WITH ANY OF THE FOLLOWING:
 - > INTELITOUCH SERIAL CONTROL BOARD
 - > 012226 CABLE (2 X 6 TO 8" DB9 BULKHEAD)
- 5 SURFACE QUALITY SPECIFICATION PER ELO'S ESS00051.
- 6 SCREEN IS DESIGNED TO FIT INTO A 32.0" LCD DISPLAY (16:9 ASPECT RATIO).
- 7 USE ELO RECOMMENDED CLOSED CELL FOAM MATERIAL FOR SEALING PURPOSES. THIS MATERIAL WILL PROVIDE PROTECTION AGAINST DUST AND SPILLS.
- 8 MOUNTING TAPE 3M VHB 4920 10.0 WIDE BY .4 THICK TO BE APPROXIMATELY CENTERED IN THE MOUNTING AREA.

LOC	08
DIST	08

REVISED PER EDO-13-000560:	01-15-13	LEO
INITIAL RELEASE	12/06/12	LEO
REGION RECORD		

DIMENSIONS (MM)	DIMENSIONS (INCHES)
0 P/C ± .8	0 P/C ± .02
1 P/C ± .4	1 P/C ± .01
2 P/C ± .2	2 P/C ± .005
4 P/C ± .1	4 P/C ± .0025
	N/A

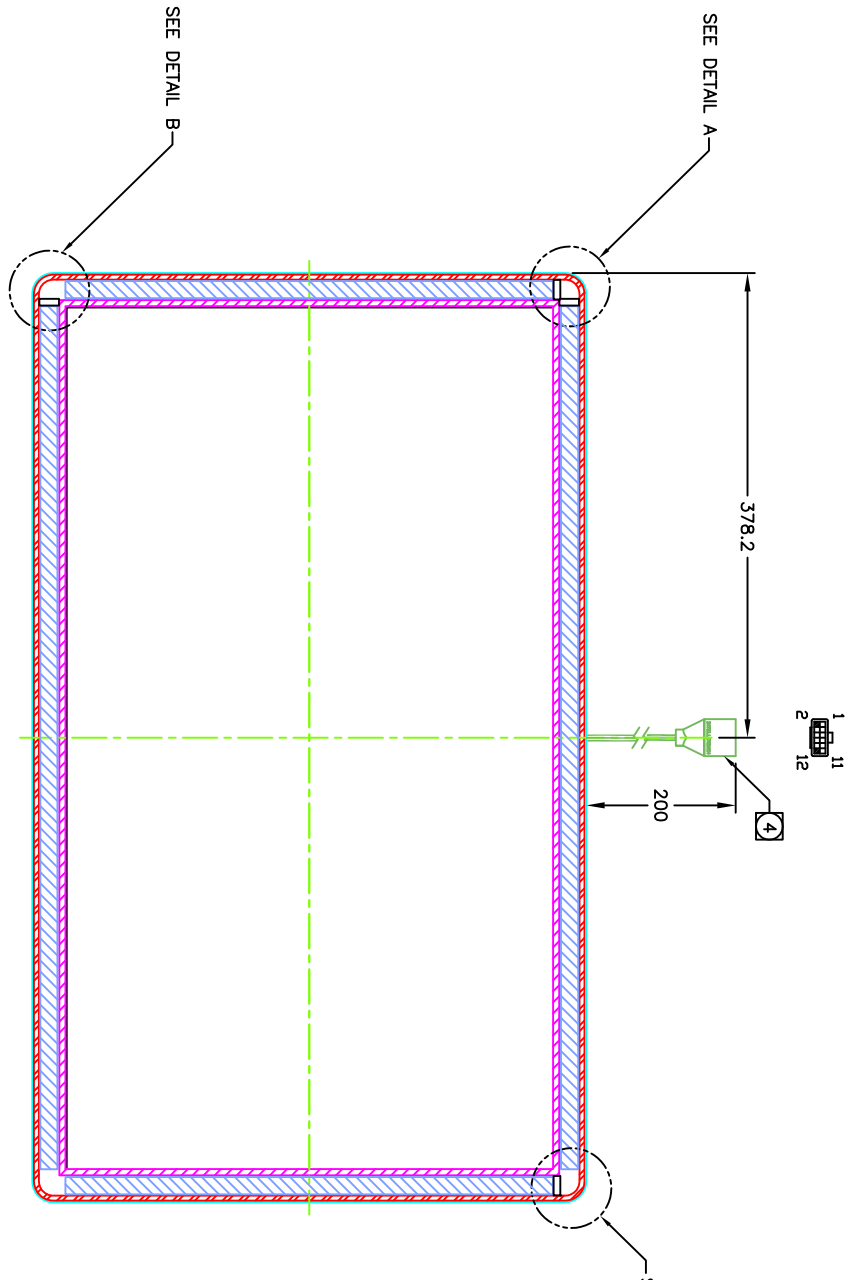
DATE	03/28/12	UNITS	TOUCH	HEAT TREAT	CLEAR
SCALE	1:1	SIZE	A2	DRAWING NO	MS601399
NAME	AV	DATE	01/15/13	DIMENSIONAL DRAWING, SCN=I-FZW52.0-003-020-R	
ELO TOUCH SOLUTIONS					
SHEET 1 OF 2					

3259-7 (2/11)

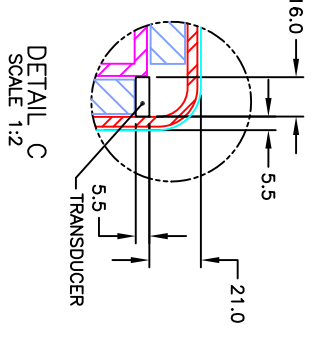
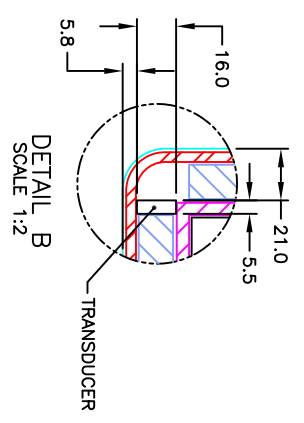
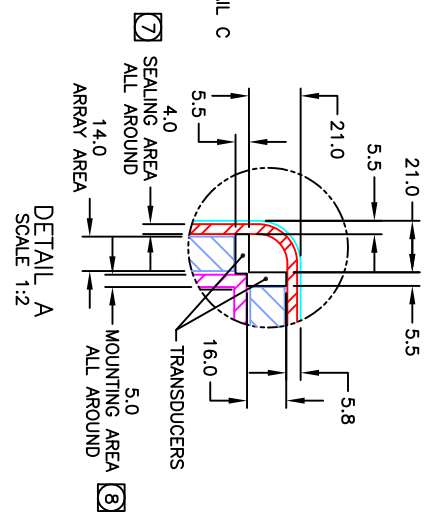
8 7 6 5 4 3 2 1

A B C D

THIS INFORMATION IS CONFIDENTIAL AND PROPRIETARY TO ELD TECH SOLUTIONS INC AND ITS VENDOR PARTS SUPPLIERS. IT MAY NOT BE DISCLOSED TO ANYONE, OTHER THAN ELD PERSONNEL, WITHOUT AUTHORIZATION FROM ELD. WWW.ELDTOLUCH.COM



CONNECTION CHART			
PIN	SIGNAL	INSULATION COLOR	JACKET COLOR
1	GROUND	OVERALL SHIELD	
2	KEY		
3	Y RECEIVE (+)	BLU	BLK
4	Y TRANSMIT (+)	BLU	GRY
5	Y RECEIVE (-)	BLK	BLK
6	Y TRANSMIT (-)	YEL	GRY
7	GROUND	INNER SHIELD	
8	X TRANSMIT (-)	RED	RED
9	X RECEIVE (-)	RED	BLK
10	X TRANSMIT (+)	GRN	RED
11	X RECEIVE (+)	WHT	RED
12	KEY		BLK



LOC 08
DIST 08

P	LTN	REVISION RECORD	DATE	BY	APPD	ANGLELESS 1/2"	SURFACE TEXTURE	N/A
		SEE SHEET ONE						

DIMENSIONS (MM)		DIMENSIONS (INCHES)	
0	PIC ± .8	0	PIC ± .031
1	PIC ± .4	1	PIC ± .016
2	PIC ± .2	2	PIC ± .008
4	PIC ± .1	4	PIC ± .004

REV	DATE	BY	APPD	REASON
AV	9/10/12			UNTITLED TOUCH
DD	12/06/12			
ED	01/15/13			

SCALE	SIZE	DRAWING NO	SHEET	OF	REV
1:1	A2	MS601303	2	3	B

MS601399 (3/11)