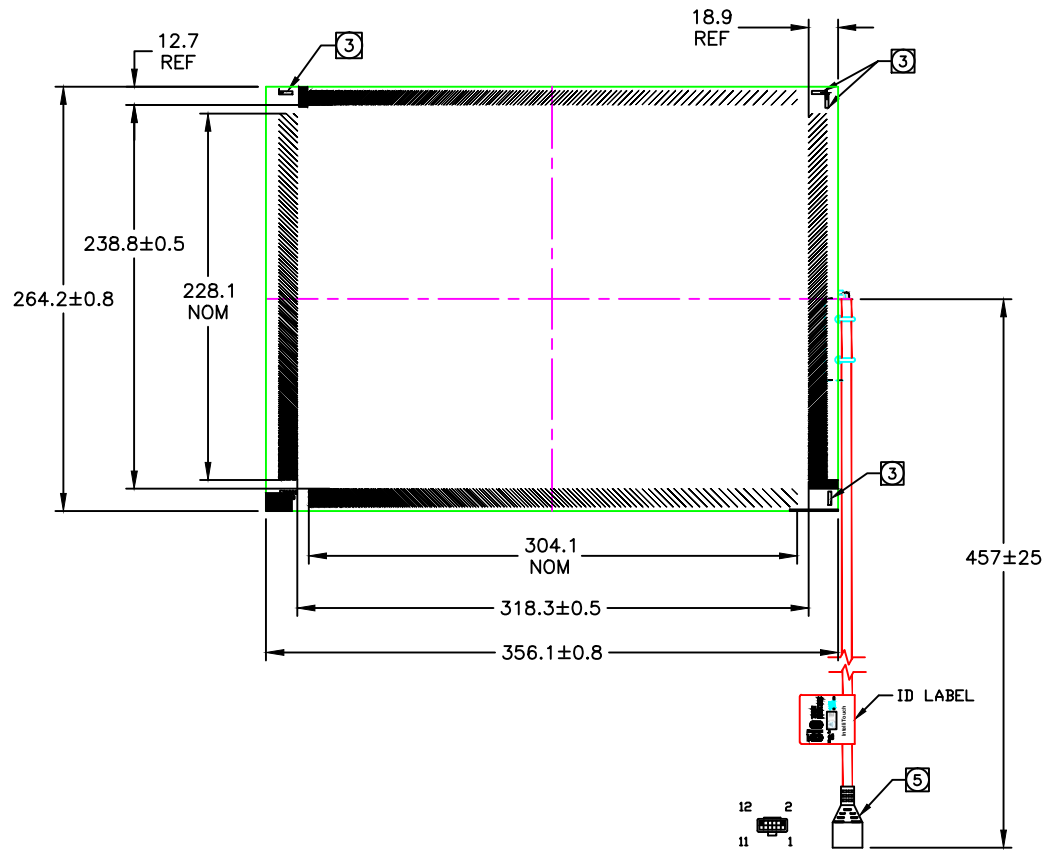


THIS DRAWING IS A CONTROLLED DOCUMENT. DRAW NO MS600023



**NOTES:**

1. ALL DIMENSIONS ARE IN MILLIMETERS.
2. GLASS THICKNESS: 3.0 NOMINAL.
3. TRANSDUCERS ARE LOCATED AT THE POSITIONS SHOWN.
4. WIRES ARE ROUTED ON THE TOP SURFACE OF THE GLASS ALONG THE EDGE.
5. BERG 65043-031, 2x6 HOUSING WITH BERG 48239-000 RECEPTACLES, DIRECTLY MATES WITH ANY OF THE FOLLOWING:  
 -INTELLITOUCH SERIAL CONTRL BOARD  
 -012226 CABLE (2x6 TO 8' DB9 BULKHEAD)
6. THE TOUCH ACTIVE AREA IS LESS THAN THE VIEWABLE AREA TO FACILITATE SEALING.

| CONNECTION CHART |                |                  |              |
|------------------|----------------|------------------|--------------|
| PIN              | SIGNAL         | INSULATION COLOR | JACKET COLOR |
| 1                | GROUND         | OVERALL SHIELD   |              |
| 2                | KEY            |                  |              |
| 3                | Y RECEIVE (+)  | BLU              | BLK          |
| 4                | Y TRANSMIT (+) | BLU              | GRY          |
| 5                | Y RECEIVE (-)  | BLK              | BLK          |
| 6                | Y TRANSMIT (-) | YEL              | GRY          |
| 7                | GROUND         | INNER SHIELD     |              |
| 8                | X TRANSMIT (-) | RED              | RED          |
| 9                | X RECEIVE (-)  | RED              | BLK          |
| 10               | X TRANSMIT (+) | GRN              | RED          |
| 11               | X RECEIVE (+)  | WHT              | BLK          |
| 12               | KEY            |                  |              |

| TOUCHSCREEN TABULATION |                   |
|------------------------|-------------------|
| PART NO                | SURFACE FINISH    |
| E286784                | 2-SIDED ANTIGLARE |

THIS INFORMATION IS CONFIDENTIAL AND PROPRIETARY TO ELO TOUCH SOLUTIONS. IT IS NOT TO BE DISCLOSED TO ANYONE OTHER THAN ELO PERSONNEL, WITHOUT THE AUTHORIZATION FROM ELO (www.elotouch.com).

LOC  
DIST

| P | LR | REVISION RECORD  | DATE     | DWN | APVD |
|---|----|--|----------|-----|------|
| D |    | REV PER ECO-13-0127, REMOVED TOUCH SOLUTIONS FROM LOGO | 05/10/13 | DI  |      |
| C |    | ECO-12-014006: REBRANDED TO ELO TOUCH SOLUTIONS        | 08/22/12 | BA  | DD   |
| B |    |  | 12/02/09 |     |      |

|  |  |  |
|--|--|--|
| DIMENSIONS: mm   |  | TOLERANCES UNLESS OTHERWISE SPECIFIED:<br>0 PLC ± .8<br>1 PLC ± .4<br>2 PLC ± .2<br>3 PLC ± .1<br>4 PLC ± .1 |
|  |  |  |
| ANGLES ± 1/2°  |  |  |
| SURFACE TEXTURE N/A  |  |  |
| DIMENSIONS: mm<br>TOLERANCES UNLESS OTHERWISE SPECIFIED:<br>0 PLC ± .8<br>1 PLC ± .4<br>2 PLC ± .2<br>3 PLC ± .1<br>4 PLC ± .1 |  |  |

|   |      |              |            |     |
|---|------|--------------|------------|-----|
| DWN   |      | MATERIAL     | HEAT TREAT |     |
| CHK   |      | INTELLITOUCH |            |     |
| APVD  |      |              |            |     |
| NAME: DIMENSIONAL DRAWING, SCN-IT-FLT15.0-007-001-R |      |              |            |     |
| SCALE   | SIZE | DRAWING NO   | SHEET      | REV |
| 1:1   | A2   | MS600023     | 1 of 1     | D   |