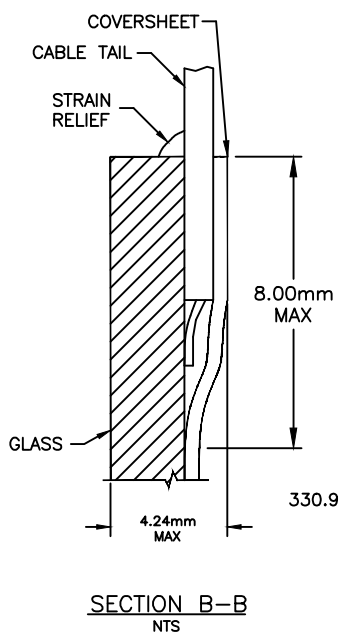
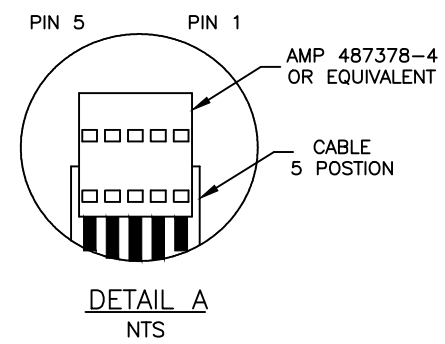
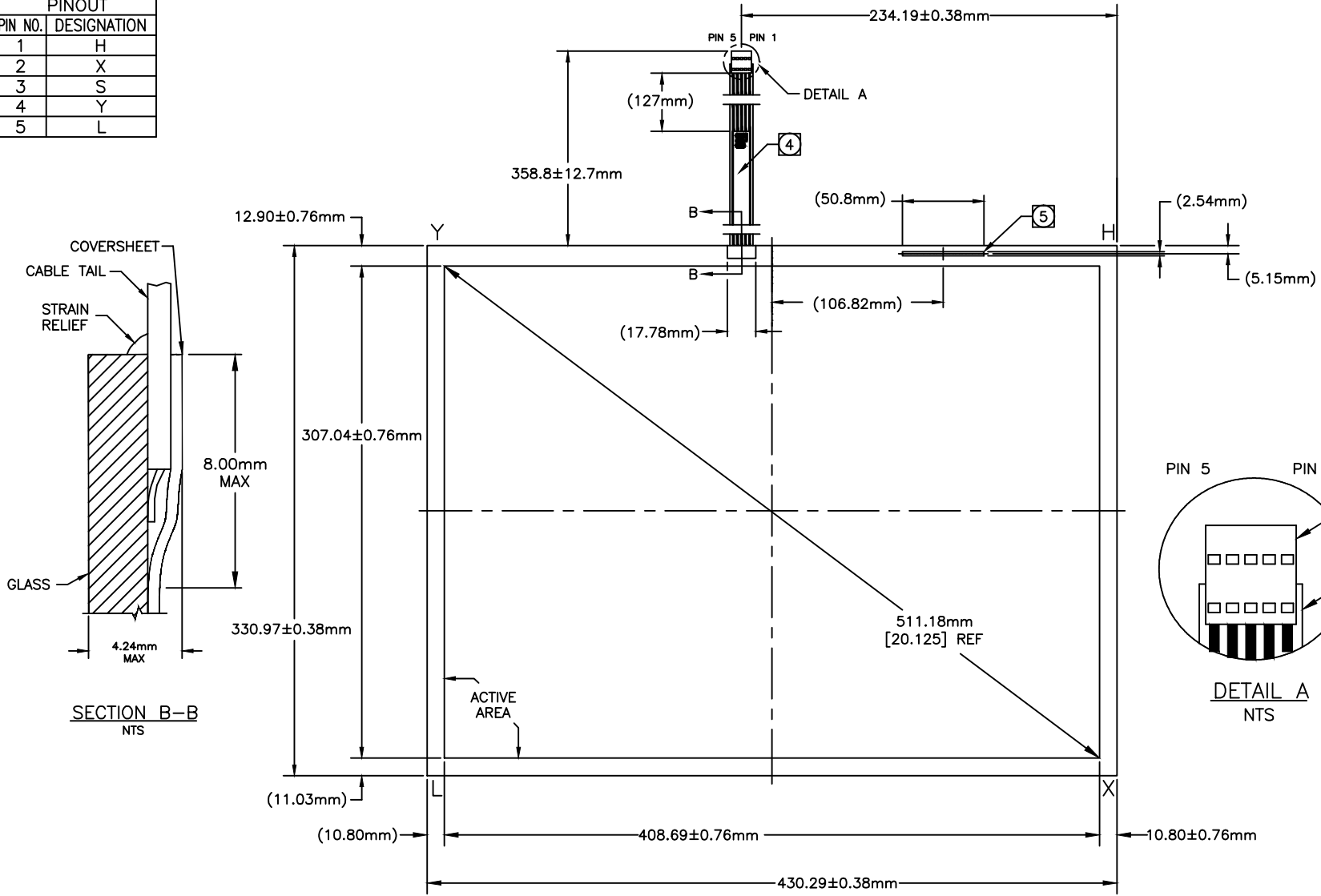


THIS DRAWING IS A CONTROLLED DOCUMENT. DRAW NO. MS600330

CONNECTOR PINOUT	
PIN NO.	DESIGNATION
1	H
2	X
3	S
4	Y
5	L



- NOTES:**
- GLASS THICKNESS 3.18mm NOMINAL.
  - FINISHED PART THICKNESS 3.48mm NOMINAL.
  - FINISHED PART THICKNESS AT CABLE ATTACHMENT AREA 4.24mm MAX.
- 4 LABEL ATTACHED TO CABLE AS SHOWN.

LOC	
DIST	

P	LTR	REVISION RECORD	DATE	DWN	APVD
C		REV PER ECO-13-0174, REMOVED TOUCH SOLUTIONS FROM LOGO	06/01/13	DI	
B		REVISED PER ECO-12-015013 ELO TITLE BLOCK WAS TE	09/10/12	DI	
A		INITIAL RELEASE	03/13/06		

DIMENSIONS: mm		TOLERANCES UNLESS OTHERWISE SPECIFIED:	
		0	PLC ± -
		1	PLC ± -
		2	PLC ± -
		3	PLC ± -
ANGLES ± -		SURFACE TEXTURE N/A	

DWN	MATERIAL ACCUTOUCH	HEAT TREAT
CHK		
APVD		
NAME DIMENSIONAL DRAWING, SCN-A5-FLT20.1-Z02-0H1-R		
SCALE 1:1	SIZE A2	DRAWING NO MS600330
SHEET 1	OF 1	REV C

THIS INFORMATION IS CONFIDENTIAL AND PROPRIETARY TO ELO TOUCH SOLUTIONS. IT IS NOT TO BE DISCLOSED TO ANYONE, OTHER THAN ELO PERSONNEL, WITHOUT THE APPROVATION FROM ELO (www.elotouch.com).