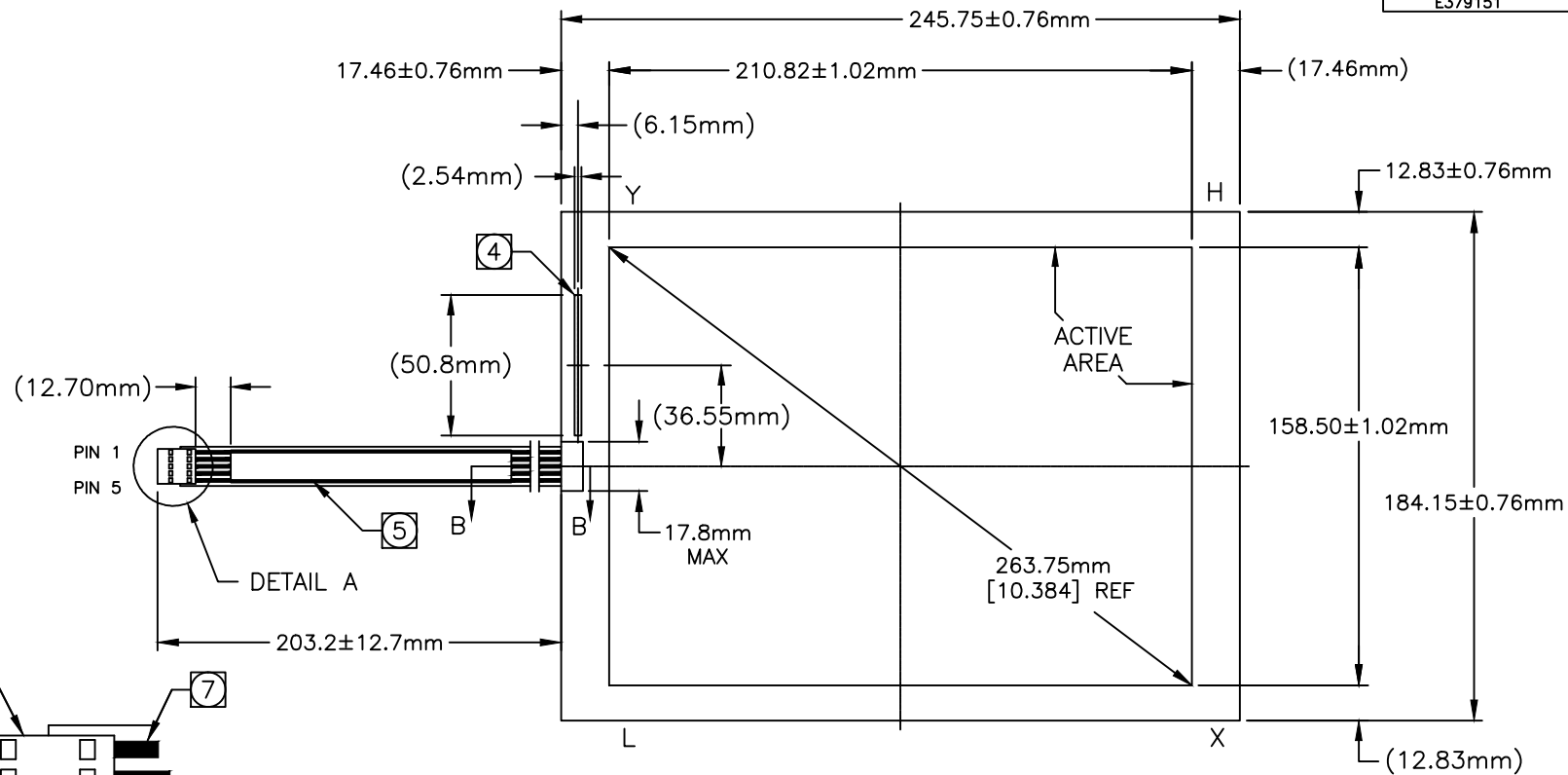
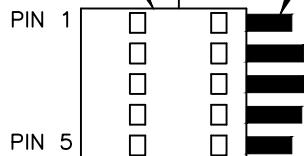


THIS DRAWING IS A CONTROLLED DOCUMENT. PART NO. MS600264

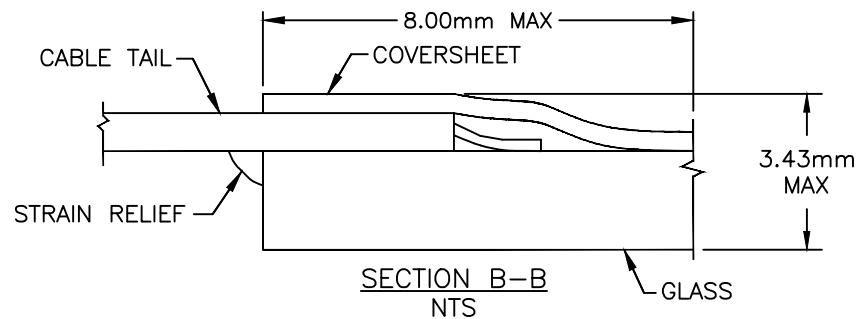
CONNECTOR PINOUT	
PIN NO.	DESIGNATION
1	H
2	X
3	S
4	Y
5	L



TYCO (AMP)  
487378-4  
OR EQUIVALENT



DETAIL A  
NTS  
CABLE  
5 POSITION



SECTION B-B  
NTS

**NOTES:**

1. GLASS THICKNESS 2.36mm NOMINAL.
2. FINISHED PART THICKNESS 2.67mm NOMINAL.
3. FINISHED PART THICKNESS AT CABLE ATTACHMENT AREA 3.43mm MAX.
- 4 FINISHED PART THICKNESS AT COVERSHEET CONTACT 3.05mm MAX.
- 5 LABEL TO BE ATTACHED TO FRONT SIDE OF CABLE.
6. CABLE IS ATTACHED TO THE LEFT SIDE OF TOUCHSCREEN AT CENTER POINT AS SHOWN.
- 7 PIN 1 TO BE LOCATED AS SHOWN IN DETAIL A.

REV	DESCRIPTION	DATE	DWG	APP'D
C	REV PER ECO-13-0174, REMOVED TOUCH SOLUTIONS FROM LOGO	06/01/13	DI	
B	REVISED PER ECO-12-015013 ELO TITLE BLOCK WAS TE	09/10/12	DI	
A	INITIAL RELEASE	03/17/06		
P	LTR	REVISION RECORD	DATE	DWG APP'D

DIMENSIONS: mm		TOLERANCES UNLESS OTHERWISE SPECIFIED: 0 PLC ± - 1 PLC ± - 2 PLC ± - 3 PLC ± - 4 PLC ± -
ANGLES ± -		
SURFACE TEXTURE N/A		

DWN	MATERIAL ACCUTOUCH	HEAT TREAT
CHK		
APP'D		
NAME DIMENSIONAL DRAWING, SCN-A5-FLT09.8-001-0H1-R		
SCALE 1:1	SIZE A2	DRAWING NO MS600264
SHEET 1	OF 1	REV C

THE INFORMATION IS CONFIDENTIAL AND PROPRIETARY TO ELO TOUCH SOLUTIONS. IT IS NOT TO BE DISCLOSED TO ANYONE OTHER THAN ELO PERSONNEL, WITHOUT THE AUTHORIZATION FROM ELO (www.elotouch.com).