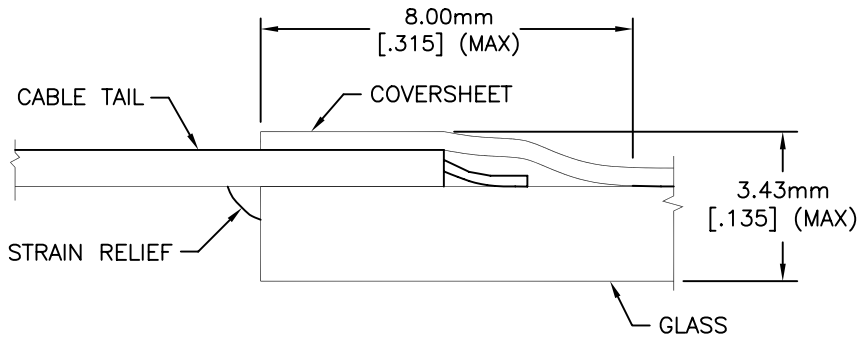
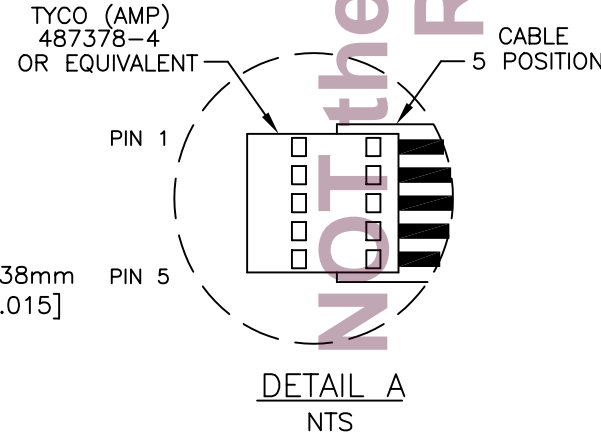
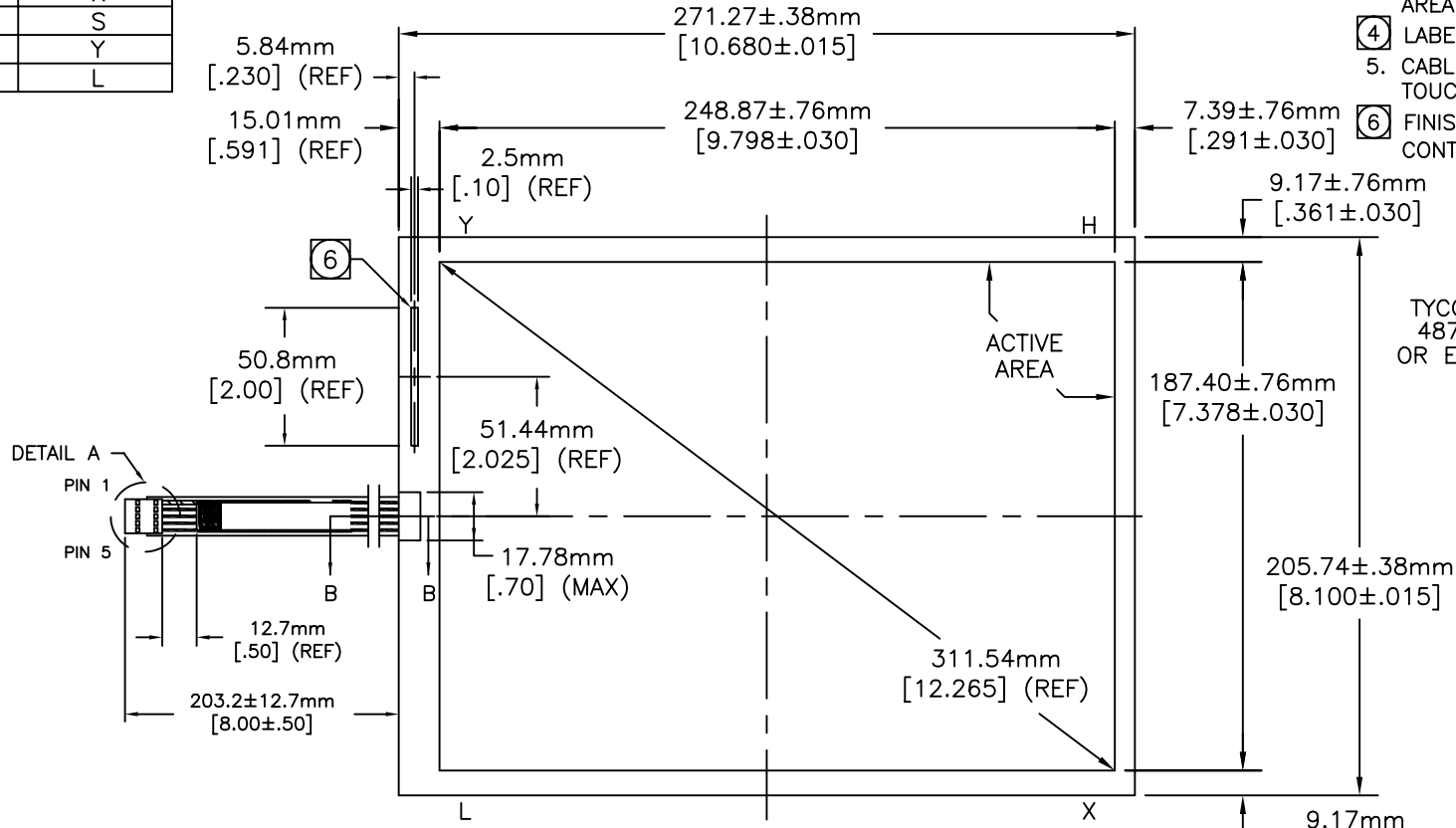


CONNECTOR PINOUT	
PIN NO.	DESIGNATION
1	H
2	X
3	S
4	Y
5	L

ACCUTOUCH® TOUCHSCREEN  
 SCN-AT-FLT12.1-Z01-OH1-R  
 ELO P/N: E803003

NOTES:

- GLASS THICKNESS 2.36mm NOMINAL [.093].
- FINISHED PART THICKNESS 2.67mm NOMINAL [.105].
- FINISHED PART THICKNESS AT CABLE ATTACHMENT AREA 3.43mm MAX [.135].
- LABEL TO BE ATTACHED TO FRONT SIDE OF CABLE.
- CABLE IS ATTACHED TO THE LEFT SIDE OF TOUCHSCREEN AT CENTER POINT AS SHOWN.
- FINISHED PART THICKNESS AT THE COVERSHEET CONTACT 3.05mm MAX [.120].



UNLESS OTHERWISE SPECIFIED:  
 DIMENSIONS ARE IN mm [IN]