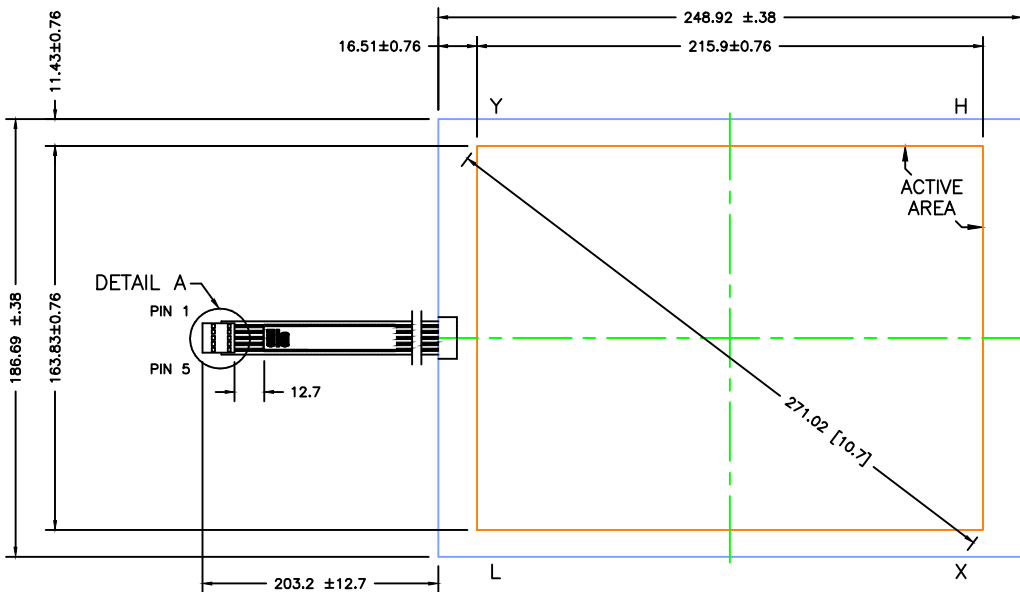
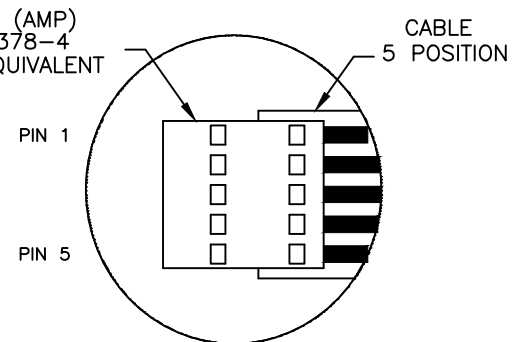


CONNECTOR PINOUT	
PIN NO.	DESIGNATION
1	H
2	X
3	S
4	Y
5	L

THIS DRAWING IS A CONTROLLED DOCUMENT.  
DWG NO. MS500724



TYCO (AMP)  
487378-4  
OR EQUIVALENT



**DETAIL A**  
NTS

- NOTES:  
1. GLASS THICKNESS 2.36mm NOMINAL.  
2. FINISHED PART THICKNESS 2.67 +0.5mm/-0.0mm.

THIS INFORMATION IS CONFIDENTIAL AND PROPRIETARY TO ELO TOUCH SOLUTIONS. IT IS NOT TO BE DISCLOSED TO ANYONE, OTHER THAN ELO PERSONNEL, WITHOUT THE APPROVAL OF ELO TOUCH SOLUTIONS.

LOC  
DIST

REV	DESCRIPTION	DATE	BY	CHK
D	REV PER ECO-13-0127, REMOVED TOUCH SOLUTIONS FROM LOGO	05/10/13	DI	
C	ECO-12-014008: REBRANDED TO ELO TOUCH SOLUTIONS	8/22/12	BC	SS
B	ECO-11-007278 FINISHED PART THICKNESS 2.67 +0.5mm/-0.0mm.	4/13/11	RB	
P	LTR REVISION RECORD			

DIMENSIONS:		TOLERANCES UNLESS OTHERWISE SPECIFIED:	
mm		0 PLC ± .8	
		1 PLC ± .4	
		2 PLC ± .2	
		3 PLC ± -	
		4 PLC ± -	
ANGLES±		SURFACE TEXTURE	
		N/A	

DWG	Q. CHUNG	10/17/05	MATERIAL	ACCUTOUCH	HEAT TREAT	N/A
CHK						N/A
APVD	Q. CHUNG	10/17/05				
NAME						
DIMENSIONAL DRAWING, SCN-AT-FLT10.4-Z01-OH1-R						
SCALE	1:1	SIZE	A2	DRAWING NO	MS500724	SHEET 1 of 1
REV						D