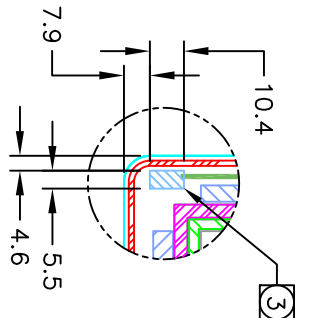
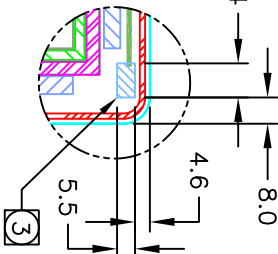
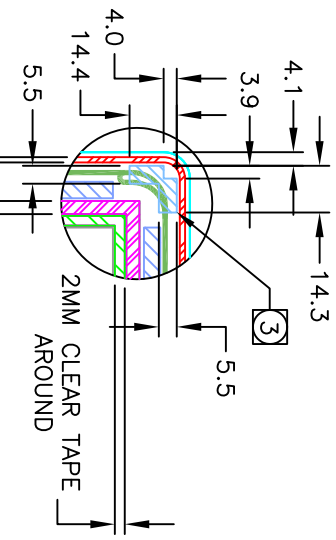


CONNECTION CHART

PIN	SIGNAL	INSULATION COLOR	JACKET COLOR
1	GROUND	OVERBALL SHIELD	
2	KEY	BLU	BLK
3	Y RECEIVE (+)	BLU	BLK
4	Y TRANSMIT (+)	BLK	GRY
5	Y RECEIVE (-)	BLK	GRY
6	Y TRANSMIT (-)	BLK	GRY
7	GROUND	INNER SHIELD	
8	X TRANSMIT (+)	RED	RED
9	X RECEIVE (-)	RED	RED
10	X TRANSMIT (-)	GRN	BLK
11	X RECEIVE (+)	WHT	BLK
12	KEY		



- NOTES:**
- ALL DIMENSIONS ARE IN MILLIMETERS.
 - GLASS THICKNESS: 2.8mm (CLEAR FINISH).
 - TRANSDUCERS KEEP OUT AREAS PER DETAILS A THRU C. HEIGHT OF TRANSDUCER ABOVE GLASS SURFACE: 3.2mm MAX.
 - BERG 65043-031, 2x6 HOUSING WITH BERG 48239-000 RECEPTACLES DIRECTLY MATES WITH ANY OF THE FOLLOWING: > INTELITOUCH SERIAL CONTROL BOARD > 012228 CABLE (2x6 TO 8 DB9 BULKHEAD)
 - SURFACE QUALITY SPECIFICATION PER ELO'S ESS00051.
 - SCREEN IS DESIGNED TO FIT INTO A 15.6" LCD DISPLAY (WIDE ASPECT RATIO).
 - MOUNTING TAPE 3M VHB 4920 3.0mm WIDE BY .4mm THICK TO BE APPROXIMATELY CENTERED IN THE MOUNTING AREA.

DETAIL A
SCALE 2:1

DETAIL B
SCALE 2:1

DETAIL C
SCALE 2:1

LOC 08
DIST 08

THIS INFORMATION IS CONFIDENTIAL AND PROPRIETARY TO ELO TOUCH SOLUTIONS INC. AND ITS HOLDING SUBSIDIARIES. IT SHALL NOT BE DISCLOSED TO ANYONE, OTHER THAN ELO PERSONNEL, WITHOUT AUTHORIZATION FROM ELO (WWW.ELOTOUCH.COM).

REV	DESCRIPTION	DATE	BY	APP
C	REVISED PER ECO-13-0656 UPDATE	05-28-13		
B	REVISED PER ECO-13-00559 CHANGE FROM SOLID LINE TO DASHED GLASS	04/12/13	AV	LA
A	INITIAL RELEASE PER ECO-12-04625	03/12/12	AV	LA

DIMENSIONS (MM)		DIMENSIONS (INCHES)	
0	PLC ± .4	0	PLC ± .016
1	PLC ± .4	1	PLC ± .016
2	PLC ± .4	2	PLC ± .016
4	PLC ± .4	4	PLC ± .016

REV	DATE	UNITS	PROJECT	HEET	OF
AV	9/27/12	MM	TOUCH	1	1
AV	05/29/13	MM	P0200 GLASS		
AV	05/28/13	MM			

glo

DIMENSIONAL DRAWING
SCN-II-FZM15.6-006-020-R
SCALE 1:1
SIZE A2
SHEET 1 OF 1