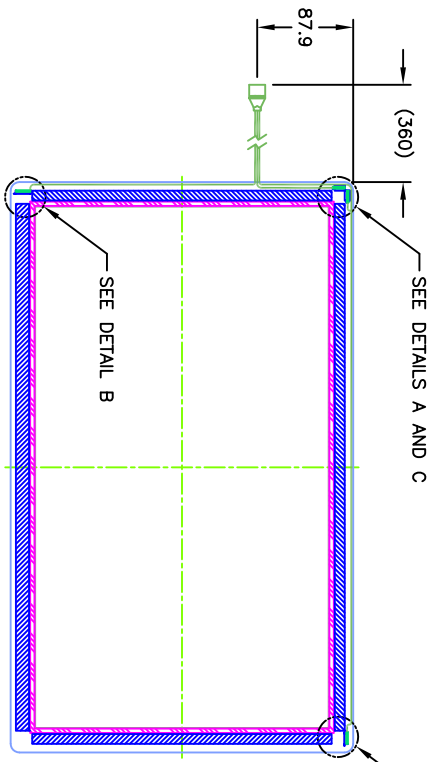
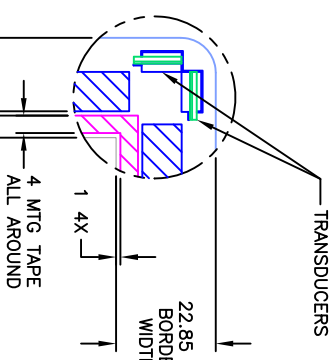
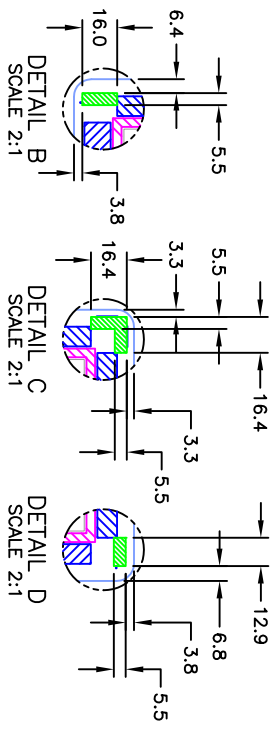


GLASS FRONT
SCALE 1:1



GLASS REAR
SCALE 1:1



- NOTES:
- 1 ALL DIMENSIONS ARE IN MILLIMETERS.
 - 2 GLASS THICKNESS: 2.8 SURFACE FINISH: CLEAR
 - 3 TRANSDUCER KEEP OUT AREAS PER DETAILS B THRU D. HEIGHT OF TRANSDUCER ABOVE GLASS SURFACE: 3.2 MAX
 - 4 BERG 65043-031, 2x6 HOUSING WITH BERG 48239-000 RECEPTACLES, DIRECTLY MATES WITH ANY OF THE FOLLOWING:
 - > INTELLITOUCH SERIAL CONTROL BOARD
 - > 012226 CABLE (2X6 TO 8" DB9 BULKHEAD)
- 5 SCREEN IS DESIGNED TO FIT INTO A 21.5" WIDE FORMAT LOD DISPLAY (16:9 ASPECT RATIO).

CONNECTION CHART

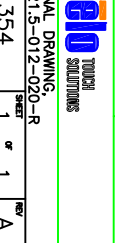
PIN	SIGNAL	INSULATION COLOR	JACKET COLOR
1	GROUND	OVERALL SHIELD	
2	KEY		BLK
3	Y RECEIVE (+)	BLU	BLK
4	Y TRANSMIT (+)	BLU	GRY
5	Y RECEIVE (-)	BLK	BLK
6	Y TRANSMIT (-)	YEL	GRY
7	GROUND		
8	X TRANSMIT (-)	INNER SHIELD	RED
9	X RECEIVE (-)		RED
10	X TRANSMIT (+)	GRN	RED
11	X RECEIVE (+)	WHT	RED
12	KEY		BLK

LOG	08
DIST	08
REV	08

REV	DATE	BY	APPD	DESCRIPTION
A	01/03/13	LA		INITIAL RELEASE ECO-13-000031

0	PLC #	-
1	PLC #	-
2	PLC #	-
4	PLC #	-

DWG NO	MS601354
DATE	12/04/12
BY	AV
CHKD	ED
SCALE	1:1
SIZE	A2
DRAWING NO	SCN-II-FZW15-012-020-R
PROJECT NO	MS601354
SHEET	1
TOTAL SHEETS	1
REV	A



THIS INFORMATION IS CONFIDENTIAL AND PROPRIETARY TO ELD TOUCH SOLUTIONS INC. AND ITS VENDORS. IT MAY NOT BE DISCLOSED TO ANYONE, OTHER THAN ELD PERSONNEL, WITHOUT AUTHORIZATION FROM ELD. WWW.ELDTOUCH.COM.