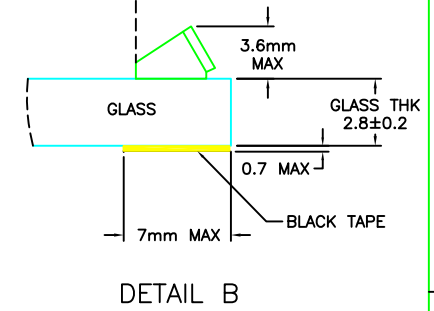


CONNECTION CHART			
PIN	SIGNAL	INSULATION COLOR	JACKET COLOR
1	GROUND	OVERALL SHIELD	
2	KEY		
3	Y RECEIVE (+)	BLU	BLK
4	Y TRANSMIT (+)	BLU	GRY
5	Y RECEIVE (-)	BLK	BLK
6	Y TRANSMIT (-)	YEL	GRY
7	GROUND	INNER SHIELD	
8	X TRANSMIT (-)	RED	RED
9	X RECEIVE (-)	RED	BLK
10	X TRANSMIT (+)	GRN	RED
11	+RECEIVE (+)	WHT	BLK
12	KEY		

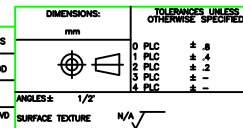


NOTES:

- ALL DIMENSIONS ARE IN MILLIMETERS.
- TRANSDUCERS ARE LOCATED AT THE POSITIONS SHOW. REFER TO DETAILS B AND C.
- BLACK TAPES APPLIED ON THE SCREEN AS SHOWN.
- NO MATERIAL EXTENDS MORE THAN 0.8mm BEYOND THE BACK OF THE GLASS.
- CABLE IS ROUTED ON THE FRONT SURFACE (ALONG THE EDGE) OF THE GLASS, CABLE JACKET STRIPPED 80mm. INSTALLED TOTAL CABLE LENGTH 350±10mm.
- CABLE DIRECTLY MATES WITH XYU INTELLITOUCH CONTROLLER.
- USE ELO RECOMMENDED CLOSED CELL FOAM MATERIAL FOR SEALING PURPOSES. THIS MATERIAL WILL PROVIDE PROTECTION AGAINST DUST AND SPILLS.
- 6mm (HOLD AREA) IS USED TO MOUNT THE TRANSDUCERS AND CABLE JACKETS ON THE TOP SURFACE OF THE GLASS, SEE DETAIL B.
- SCREEN IS DESIGNED TO FIT INTO 21.5" WIDE FORMAT (16:9 ASPECT RATIO) DISPLAYS.

LOC 08  
DIST 08

REV	DESCRIPTION	DATE	BY	CHK
D	ECO-12-012454: REBRANDED TO ELO TOUCH SOLUTIONS	08/15/12	BC	SS
C	REVISED PER ECO 11 -022061 (CHANGED GLASS THICKNESS)	11/03/11	DI	DD
B	REVISED PER ECO 10 -026461 (CHANGED)	12/29/10		
P	LTR			



DWG	08/13/10	MATERIAL	CLEAR	HEAT TREAT	N/A
CHK	11/7/11		DUAL TOUCH		N/A
DON D	11/7/11				
APD					
DIMENSIONAL DRAWING SCN-IT-FL121.5-002-020-R					
SCALE	1:1	SIZE	A2	DRAWING NO	MS600827
				SHEET	1 of 1
				REV	D