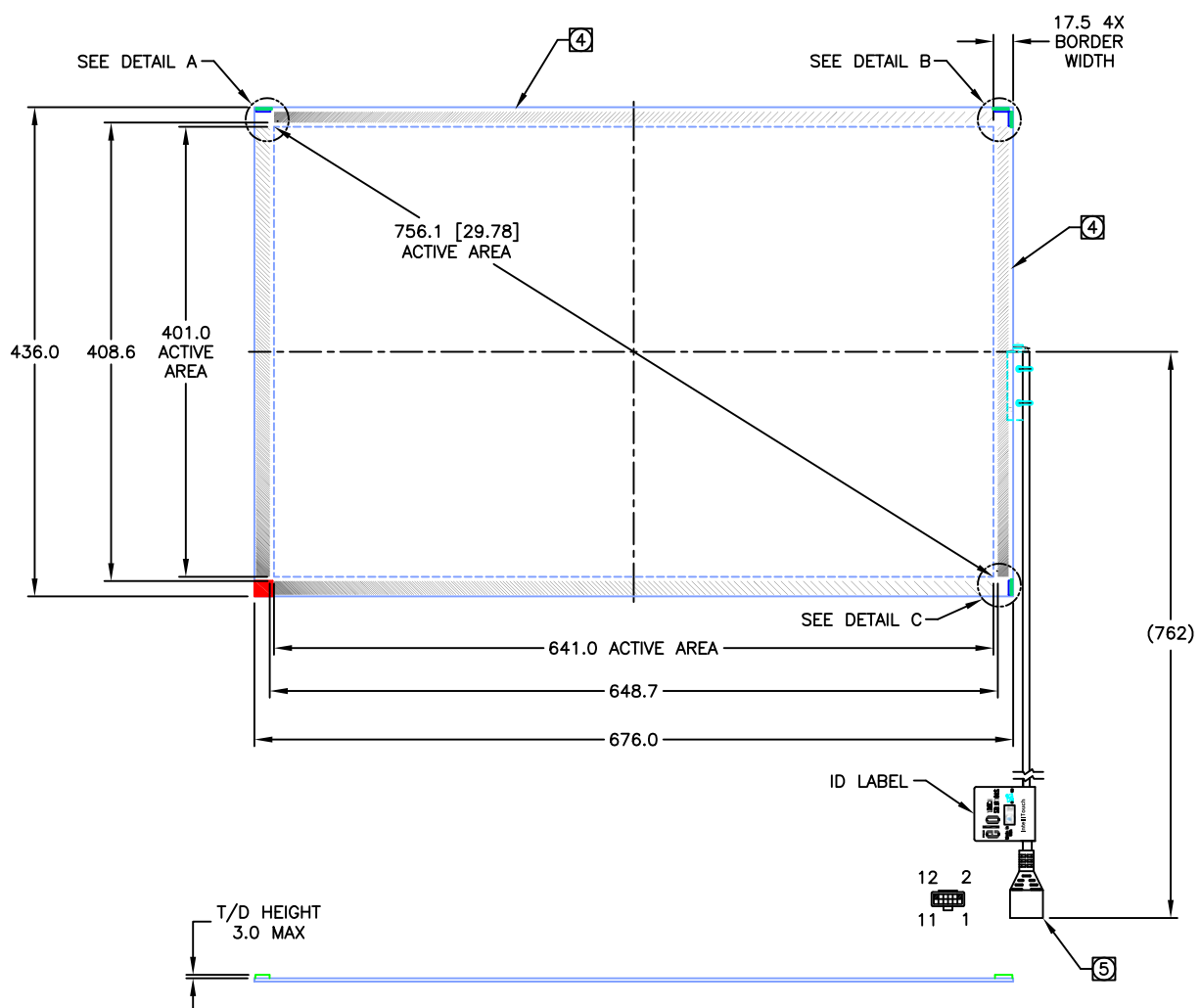


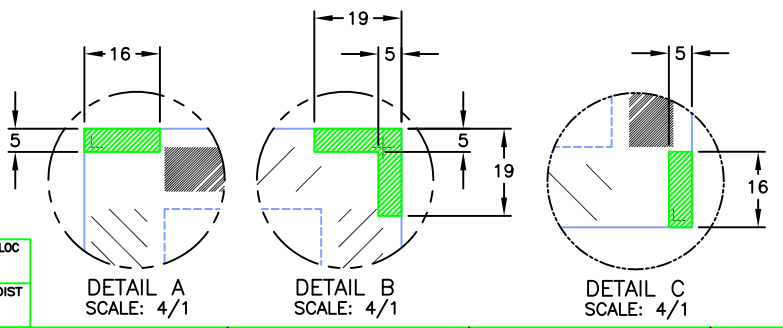
THIS DRAWING IS A CONTROLLED DOCUMENT. DWG NO. MS600616



NOTES:

- 1 ALL DIMENSIONS ARE IN MILLIMETERS.
- 2 GLASS THICKNESS: 3.0.
- 3 TRANSDUCER KEEP OUT AREAS PER DETAILS A THRU C. HEIGHT OF TRANSDUCERS ABOVE GLASS 3.0 MAX.
- ④ CABLE IS ROUTED ON THE FRONT SURFACE (ALONG THE EDGE) OF THE SCREEN.
- ⑤ BERG 65043-031, 2 X 6 HOUSING WITH BERG 48239-000 RECEPTACLES, DIRECTLY MATES WITH ANY OF THE FOLLOWING:
 -INTELLITOUCH SERIAL CONTROL BOARD
 -012226 CABLE (2 X 6 TO 8" DB9 BULKHEAD)
- 6 THE TOUCH ACTIVE AREA IS LESS THAN THE VIEWABLE AREA TO FACILITATE SEALING.
- 7 THIS SCREEN IS DESIGNED TO FIT INTO A 30.0" LCD WIDE FRAME, HAS A 16:10 ASPECT RATIO.

CONNECTION CHART			
PIN	SIGNAL	INSULATION COLOR	JACKET COLOR
1	GROUND	OVERALL SHIELD	
2	KEY		
3	Y RECEIVE (+)	BLU	BLK
4	Y TRANSMIT (+)	BLU	GRY
5	Y RECEIVE (-)	BLK	BLK
6	Y TRANSMIT (-)	YEL	GRY
7	GROUND	INNER SHIELD	
8	X TRANSMIT (-)	RED	RED
9	X RECEIVE (-)	RED	BLK
10	X TRANSMIT (+)	GRN	RED
11	X RECEIVE (+)	WHT	BLK
12	KEY		



REV	DESCRIPTION	DATE	BY	CHKD
F	REV PER ECO-13-0133, REMOVED TOUCH SOLUTIONS FROM LOGO	05/24/13	DI	
E	REVISED PER ECO-12-014008: REBRANDED TO ELO TOUCH SOLUTIONS	09/25/12	BC	SS
D	REVISED PER ECO-12-014008: REBRANDED TO ELO TOUCH SOLUTIONS	09/04/12	LA	
P	LTR REVISION RECORD			

DIMENSIONS:	mm
TOLERANCES UNLESS OTHERWISE SPECIFIED:	
0 PLC	± .8
1 PLC	± .4
2 PLC	± .2
3 PLC	± -
4 PLC	± -
ANGLES:	1/2°
SURFACE TEXTURE:	N/A

DATE	12/11/07	MATERIAL	INTELLITOUCH	HEAT TREAT	ANTIGLARE
CHKD	DD	APPROV	L.A.		
DATE	05/07/12	DATE	05/07/12		
DIMENSIONAL DRAWING, SCN-IT-FLT30.0-002-014-R					
SCALE	1:1	SIZE	A2	DRAWING NO	MS600616
SHEET	1	OF	1	REV	F

THE INTEGRITY OF CONSTRUCTION AND PERFORMANCE OF THIS TOUCH SOLUTIONS SHALL BE MAINTAINED BY THE USER. ANY CHANGES TO THIS SOLUTION SHALL BE APPROVED BY THE USER. ANY CHANGES TO THIS SOLUTION SHALL BE APPROVED BY THE USER. ANY CHANGES TO THIS SOLUTION SHALL BE APPROVED BY THE USER.