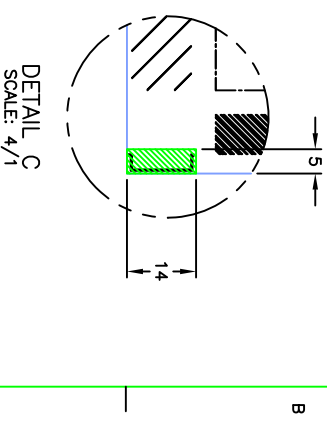
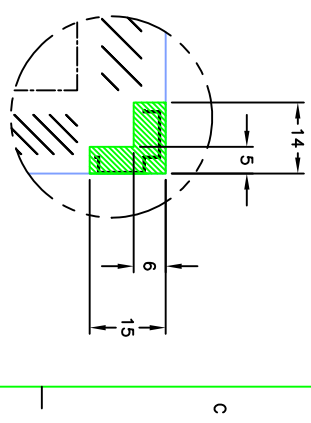
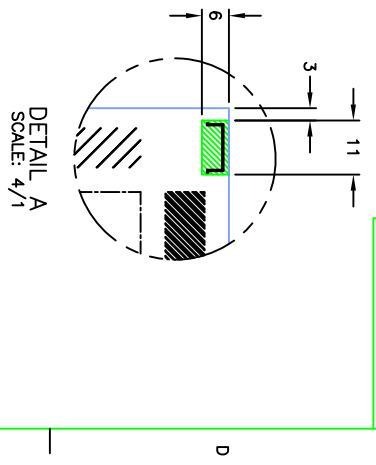


- NOTES:**
- 1 ALL DIMENSIONS ARE IN MILLIMETERS.
 - 2 GLASS THICKNESS: 2.8mm
 - 3 TRANSDUCERS KEEP OUT AREAS PER DETAILS A THRU C. HEIGHT OF TRANSDUCER ABOVE GLASS: 3.2 MAX.
 - 4 NO MATERIAL EXTENDS MORE THAN 0.8 BEYOND THE BACK SURFACE OF THE GLASS. CLEAR TAPES APPLIED ON THE BACK SIDE OF THE GLASS OPPOSITE THE ARRAYS.
 - 5 BERG 65043-031, 2 X 6 HOUSING WITH BERG 48239-000 RECEPTACLES, DIRECTLY -INTELLITOUCH SERIAL CONTROL BOARD -012226 CABLE (2 X 6 TO 8" DB9 BULKHEAD)
 - 6 THE TOUCH ACTIVE AREA IS LESS THAN THE VIEWABLE AREA TO FACILITATE SEALING.

CONNECTION CHART		
PIN	SIGNAL	INSULATION COLOR / JACKET COLOR
1	GROUND	OVERALL SHIELD
2	KEY	BLK
3	Y RECEIVE (+)	BLU
4	Y TRANSMIT (+)	BLU
5	Y RECEIVE (-)	GRY
6	Y TRANSMIT (-)	BLK
7	GROUND	YEL
8	X TRANSMIT (-)	INNER SHIELD
9	X RECEIVE (-)	RED
10	X TRANSMIT (+)	RED
11	X RECEIVE (+)	GRN
12	KEY	RED



LOC	08
DIST	08

3609-7 (2/11) 8 7 6 5 4 3 2 1

REV	DATE	BY	APP	DESCRIPTION
D	08-11-12			REVISION PER ECO-12-010836, CHANGED
C	08-18-12			REVISION PER ECO-12-010836, CHANGED
B	08-07-12			REVISION PER ECO-12-00836K, FULL PRODUCTION RELEASE
A	04/04/12	DI		INITIAL RELEASE PER ECO-12-007232

DATE	01/25/12	INTERNAL	INTELLITOUCH	HEAT TREAT	CLEAR
APP	09/11/12	DIMENSIONAL DRAWING, SCN=FLW52-0-001-028-R			
SCALE	1:1	SIZE	A2	SHEET	1 OF 1
DRG NO		MS601285			

THIS INFORMATION IS CONFIDENTIAL AND PROPRIETARY TO ELD TOUCH SOLUTIONS INC AND ITS VENDORS. IT MAY NOT BE DISCLOSED TO ANYONE, OTHER THAN ELD PERSONNEL, WITHOUT AUTHORIZATION FROM ELD. WWW.ELDTOUCH.COM