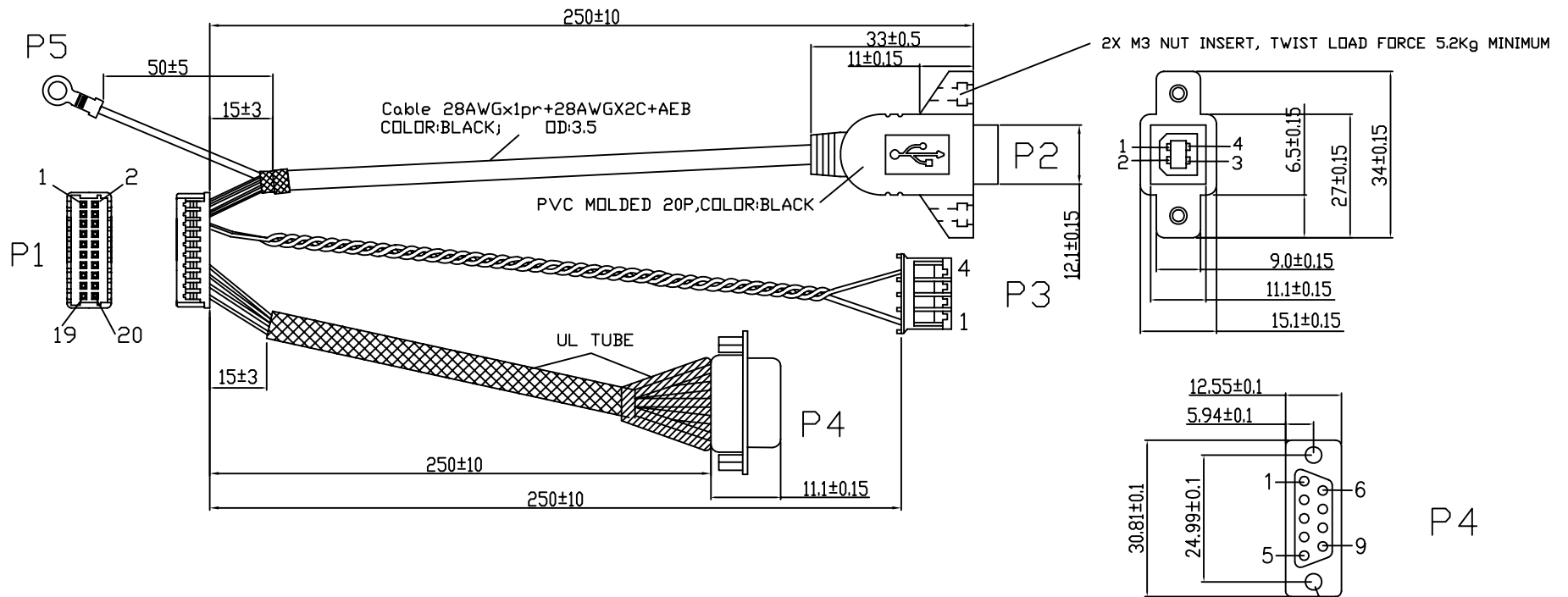


CABLE-XT-20PIN-RSU-08-R
MARKETING DRAWING



CONNECTOR	QT'Y	PART #	DESCRIPTION
P1	1	Molex 51127-2005	Housing 2x10
P2	1	Butterfly FCNUB0333	USB B TYPE/RECEPTACLE/SOLDER TYPE
P3	1	JWT A2001H02-4P	Housing 1X4
P4	1	SWEETRAY DS9FCN	DB-9 FEMALE/SOLDER TYPE

#4-40 THREADED
(2 INSERTS)

TERMINAL	QT'Y	PART #	DESCRIPTION
P1	14	Molex 50516-8041	TERMINAL 1.25mm
P3	2	JWT A2001TOP-2	TERMINAL 2.0mm
P5	1	STM 14301BS-2	R-TERMINAL 3.2mm

DIMENSIONS ARE IN MILLIMETERS

P/N:D40022-000

SHEET 1 OF 2



CABLE-XT-20PIN-RSU-08-R
MARKETING DRAWING

CONNECTOR P1

POWER AND TOUCH SCREEN CONTROLLER CONNECTION
MATES WITH MOLEX 53505-2090 OR EQUIVALENT

PIN*	SIGNAL NAME
1	VBUS
2	GND
3	USB_D-
4	USB_D+
5	VCC(+5V)
6	GND
7	N.C.
8	MONITOR_OK
9	LED
10	RESET
11	DCD
12	DSR
13	RXD
14	RTS
15	TXD
16	CTS
17	DTR
18	N.C.
19	GND
20	+12V

CONNECTOR P2

USB TOUCH SCREEN CONTROLLER
CONNECTION MATES WITH USB
B TYPE PLUG CONNECTOR

PIN*	SIGNAL NAME
1	VBUS
2	USB_D-
3	USB_D+
4	GND

CONNECTOR P3

POWER CONNECTION
MATES WITH JWT A2001WV2-4P
OR EQUIVALENT

PIN*	SIGNAL NAME
1	VCC(+5V)
2	NOT USED
3	NOT USED
4	GND

CONNECTOR P4

SERIAL TOUCH SCREEN
CONTROLLER CONNECTION MATES
WITH DB-9 MALE CONNECTOR

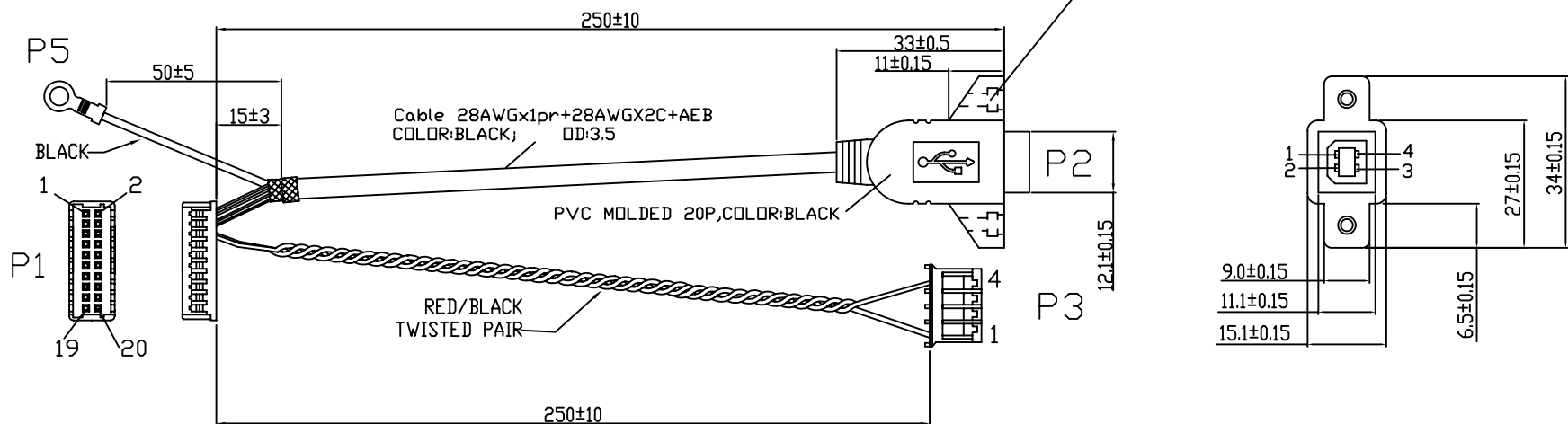
PIN*	SIGNAL NAME
1	DCD
2	RXD
3	TXD
4	DTR
5	SIGNAL GROUND
6	DSR
7	RTS
8	CTS
9	NOT USED

DIMENSIONS ARE IN MILLIMETERS

CABLE-XT-20PIN-USB-08

D38640-000

2X M3 NUT INSERT, TWIST LOAD FORCE 5.2Kg MINIMUM



CONNECTOR	QT'Y	PART #	DESCRIPTION
P1	1	Molex 51127-2005	Housing 2x10
P2	1	Butterfly FCNUB0333	USB B TYPE/RECEPTACLE/SOLDER TYPE
P3	1	JWT A2001H02-4P	Housing 1X4

TERMINAL	QT'Y	PART #	DESCRIPTION
P1	14	Molex 50516-8041	TERMINAL 1.25mm
P3	2	JWT A2001TOP-2	TERMINAL 2.0mm
P5	1	STM 14301BS-2	R-TERMINAL 3.2mm

DIMENSIONS ARE IN MILLIMETERS

SHEET 1 OF 2



CABLE-XT-20PIN-USB-08

D38640-000

WIRING TABLE

FROM	TO	SIGNAL NAME	COLOR
P1-1	P2-1	VBUS	RED
P1-2	P2-4	GND	BLK
P1-3	P2-2	USB_D-	WHT
P1-4	P2-3	USB_D+	GRN
P1-5	P3-1	VCC(+5V)	RED
P1-6	P3-4	GND	
P1-7	N.C.	—	—
P1-8	N.C.	—	—
P1-9	N.C.	—	—
P1-10	N.C.	—	—
P1-11	N.C.	—	—
P1-12	N.C.	—	—
P1-13	N.C.	—	—
P1-14	N.C.	—	—
P1-15	N.C.	—	—
P1-16	N.C.	—	—
P1-17	N.C.	—	—
P1-18	N.C.	—	—
P1-19	N.C.	—	—
P1-20	N.C.	—	—
P2 CASE	P5	CHASSIS GND	BLK

NOTES:

1. CONNECTOR INTERFACE:

P1 - POWER AND TOUCH SCREEN CONTROLLER CONNECTION
MATES WITH MOSEX 53505-2010 OR EQUIVALENT.

P2 - USB TOUCH SCREEN CONTROLLER MATES WITH USB
B TYPE PLUG CONNECTOR.

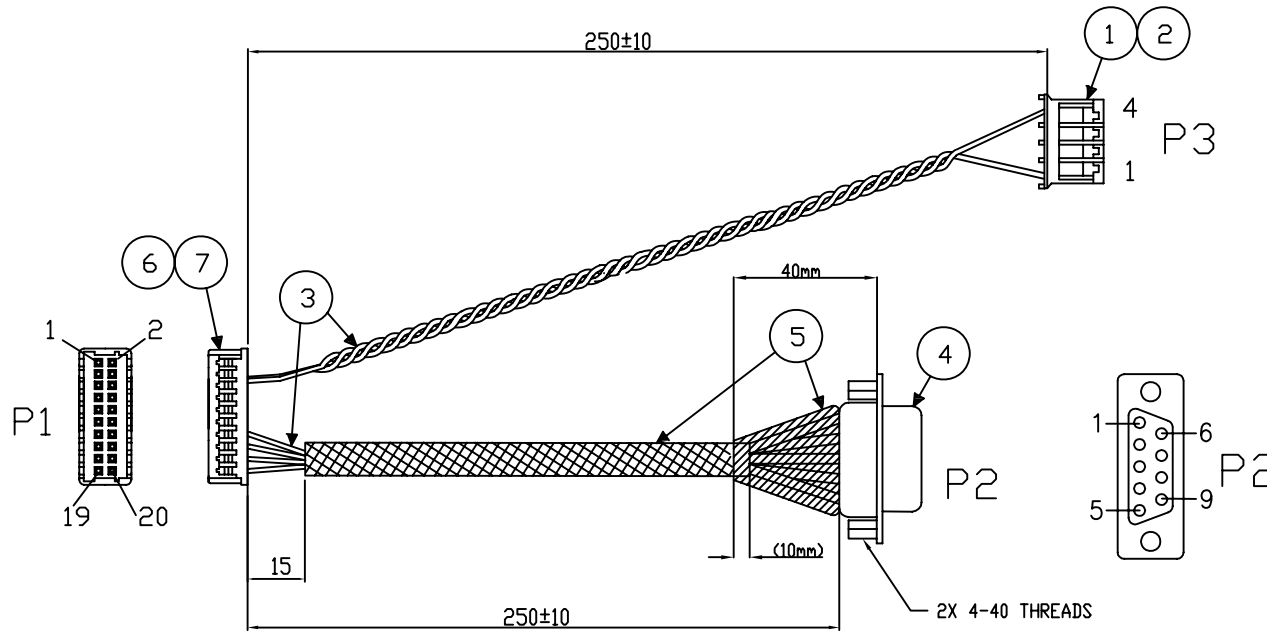
P3 - POWER CONNECTION MATES WITH JWT A2001WV2-4P
OR EQUIVALENT.

DIMENSIONS ARE IN MILLIMETERS

SHEET 2 OF 2



CABLE-XT-20PIN-RS2-08-R
MARKETING DRAWING



P1	COLOR	P2
11	WHITE	1
12	BROWN	6
13	ORANGE	2
14	YELLOW	7
15	GREEN	3
16	BLUE	8
17	VOILET	4
19	GRAY	5
5	RED	1
6	BLACK	4

ITEM	QTY	DESCRIPTION
1	2	TERMINAL, JWT A2001TOP-2
2	1	HOUSING 2.00mm, JWT A2001H02-4P
3	10	UL1571 28AWG
4	1	9P D-SUB, FEMALE (PANTONE 322C) CONTACT G/F
5	A/R	UL TUBE COLOR BLACK
6	10	TERMINAL, MOLEX 50516-8041
7	1	Housing 1.25mm, MOLEX 51127-2005

DIMENSIONS ARE IN MILLIMETERS

P/N: D16890-000

