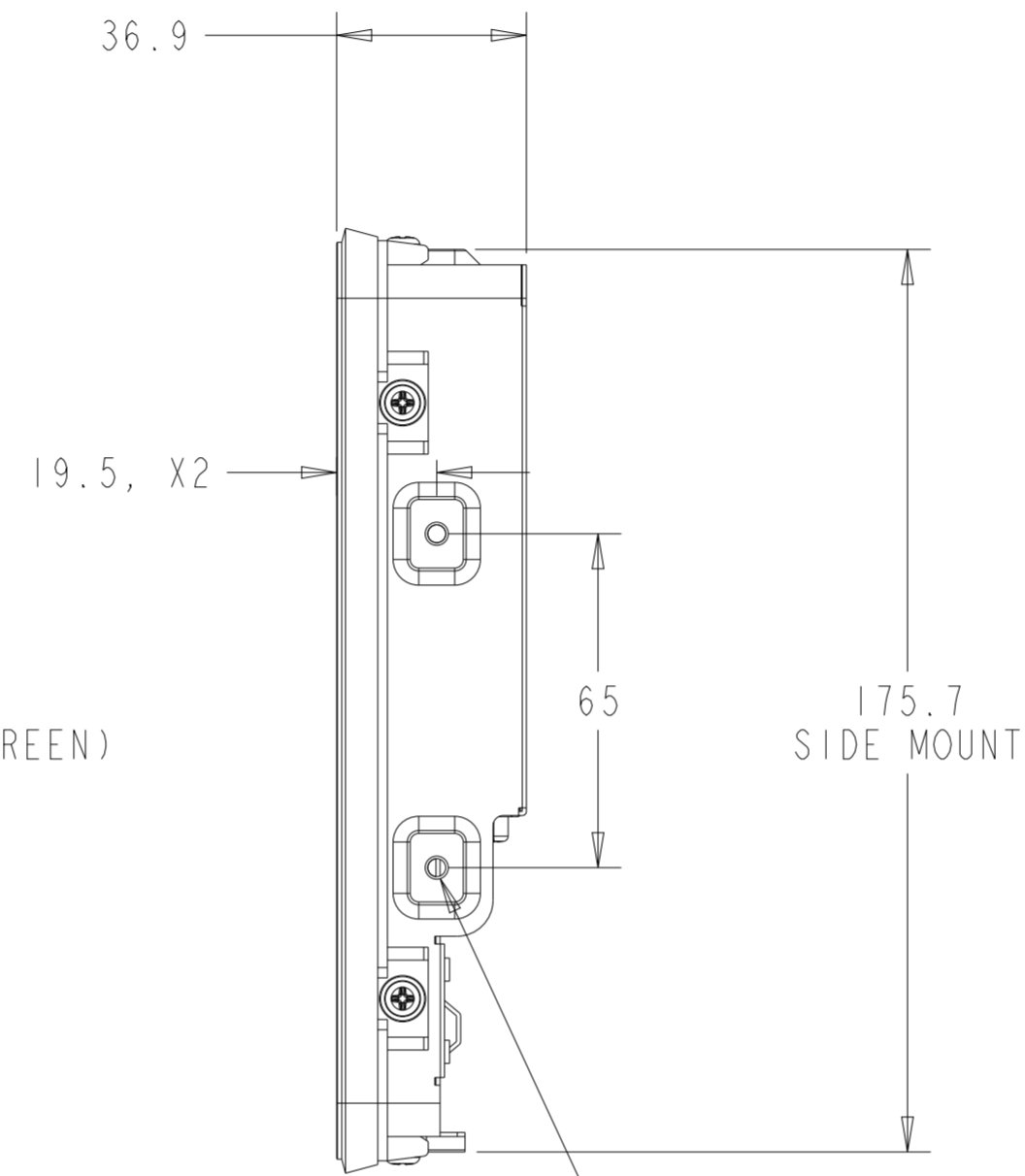
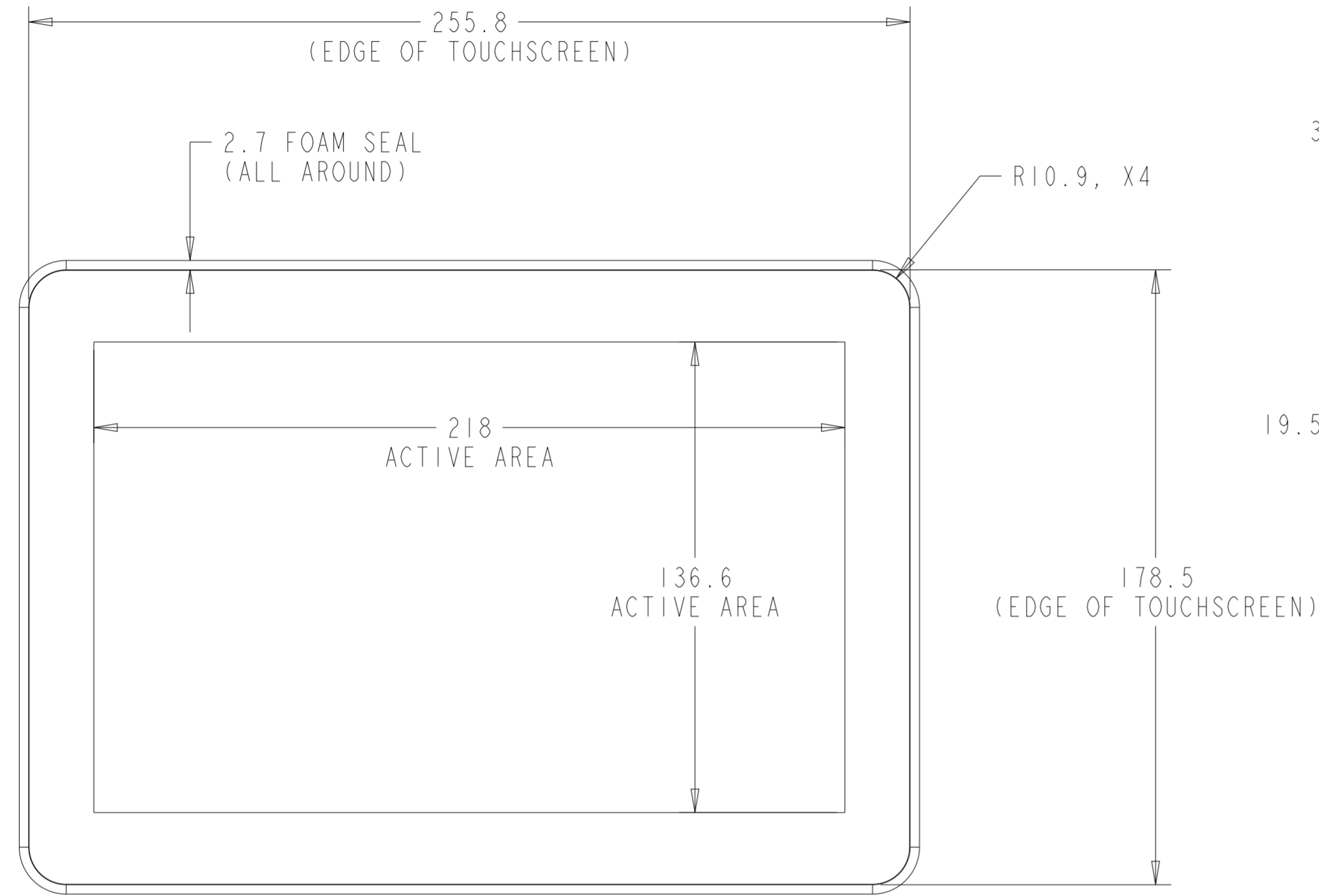
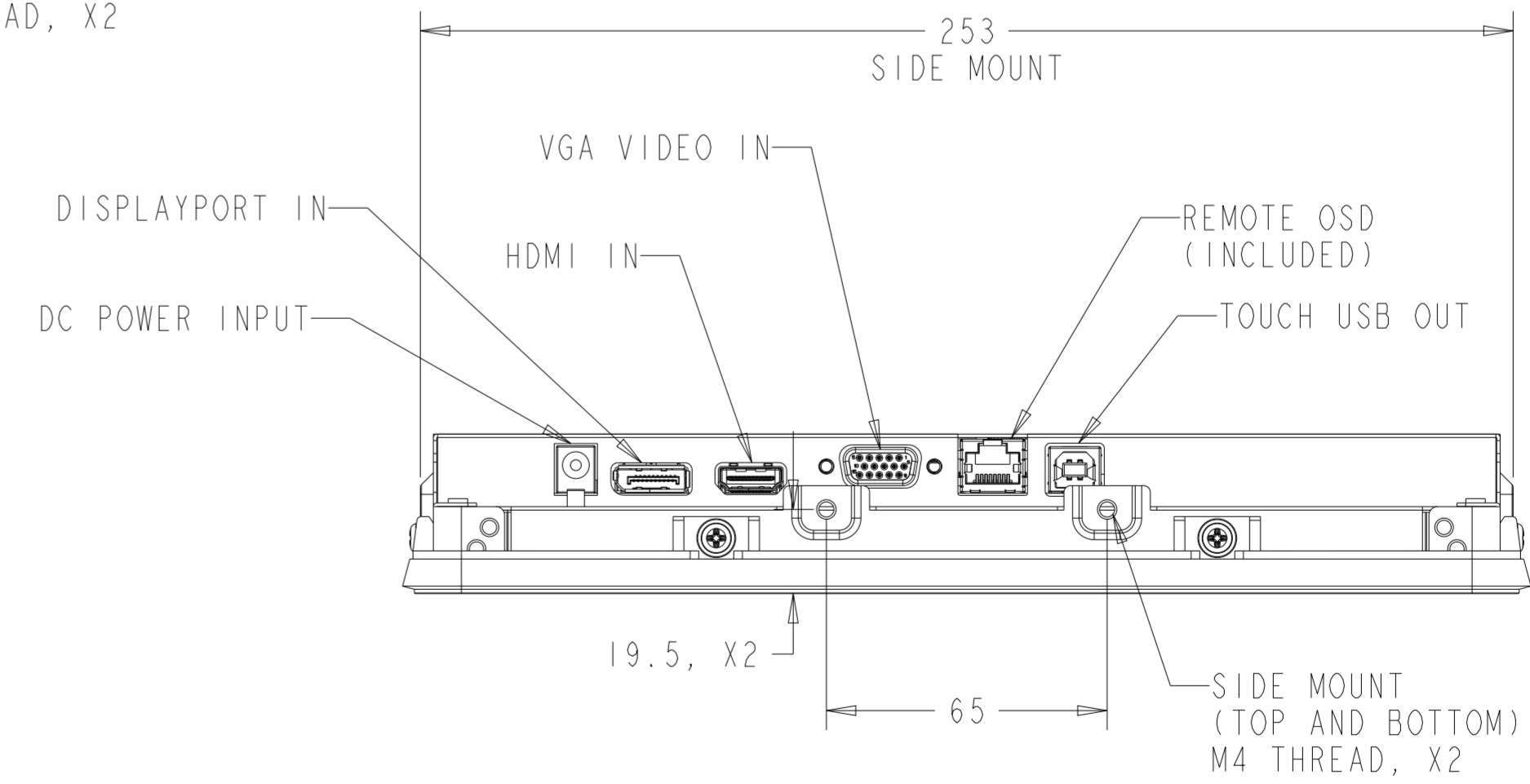
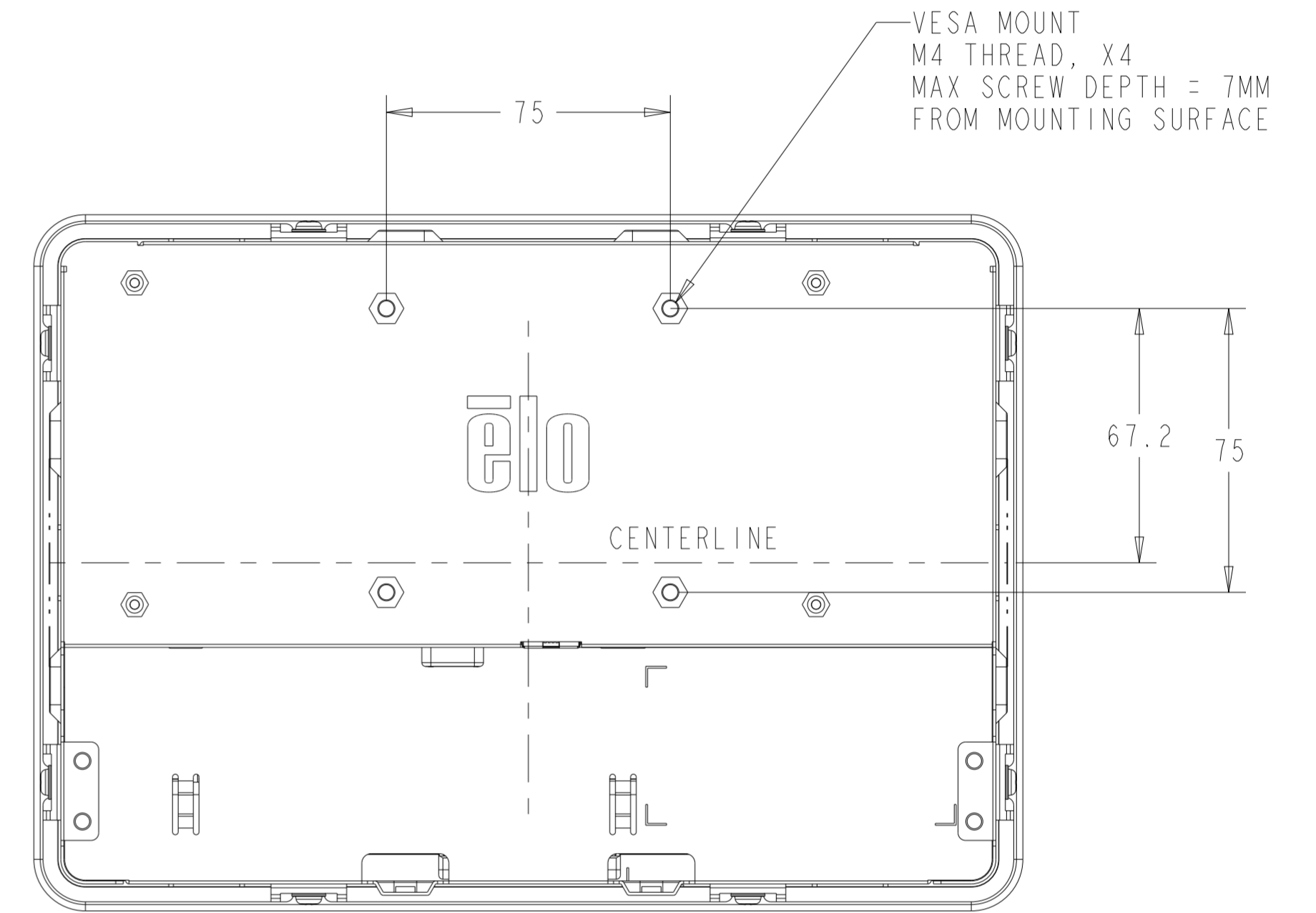


PROJECTED CAPACITIVE MODEL

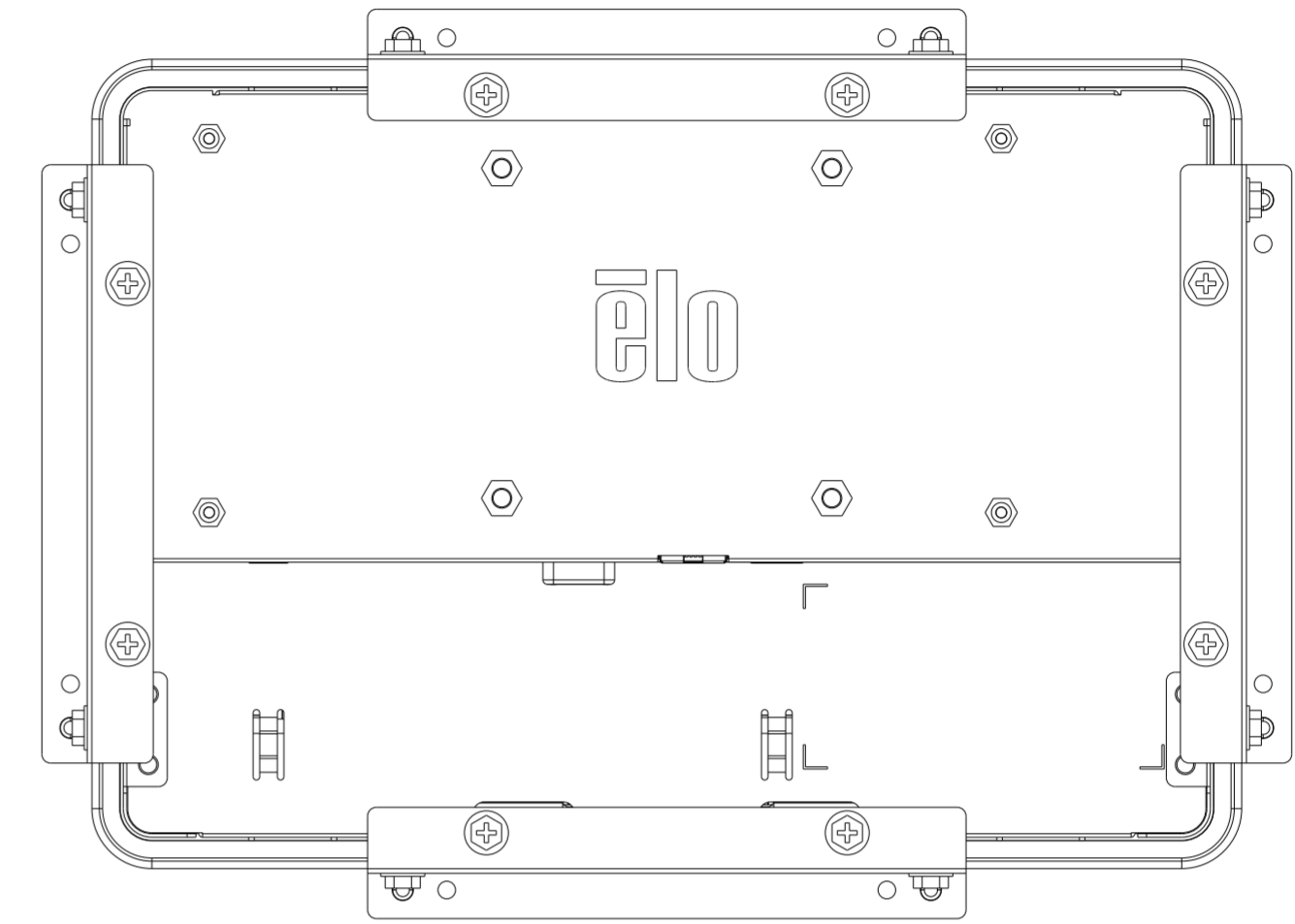
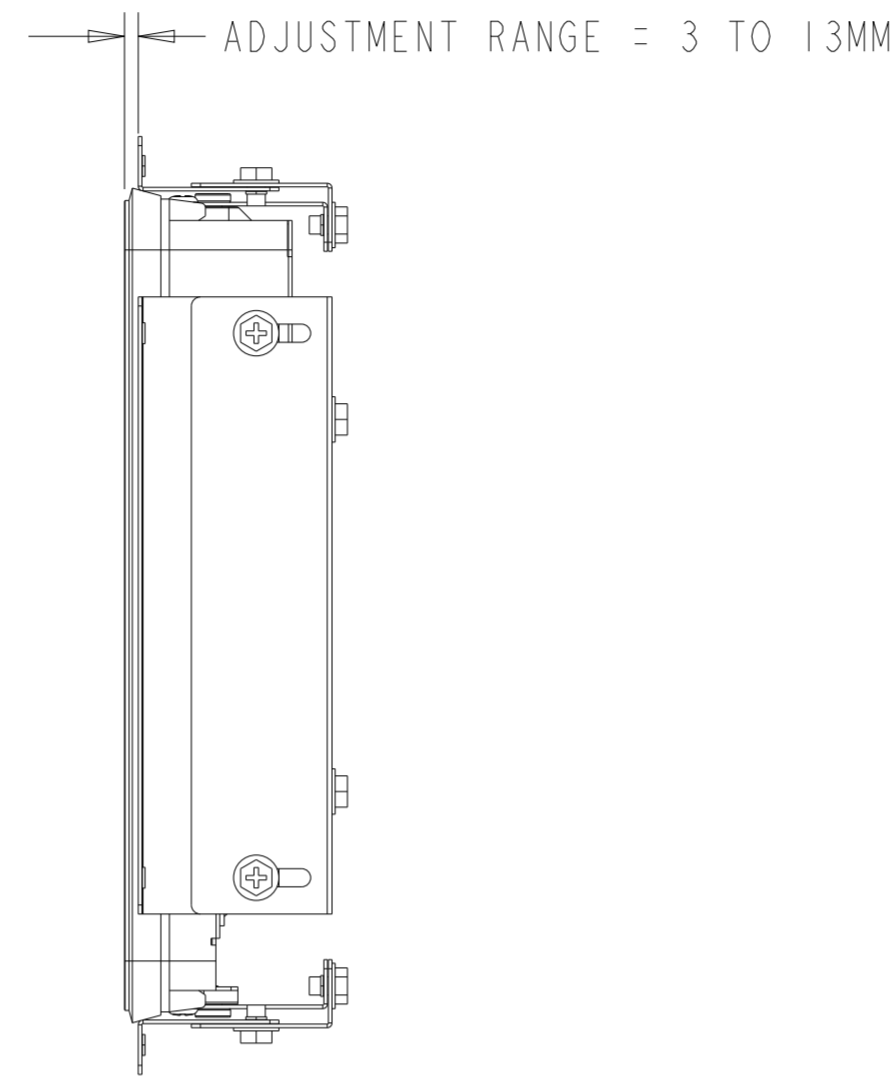
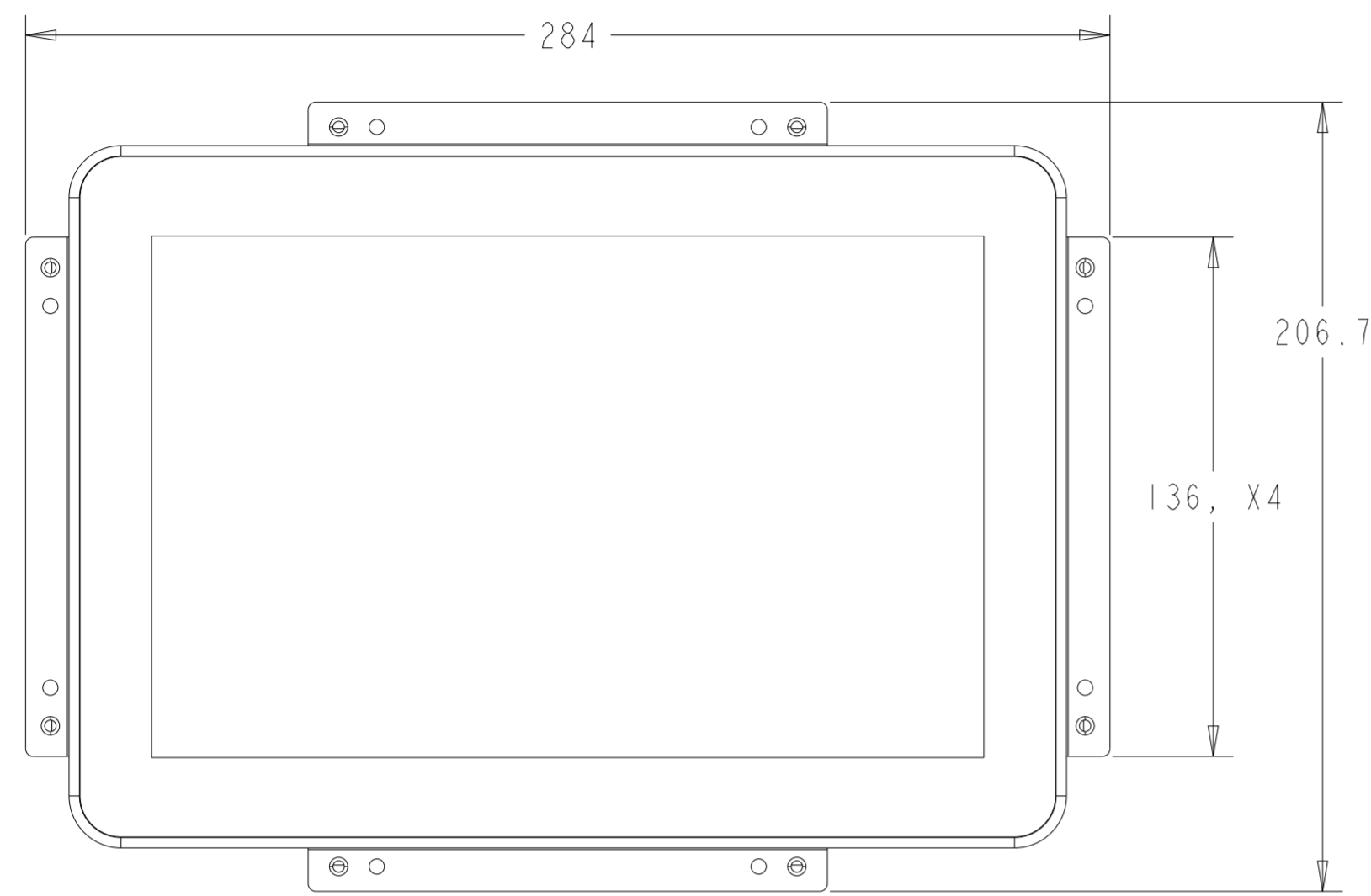


SIDE MOUNT (LEFT AND RIGHT) M4 THREAD, X2



PROJECTED CAPACITIVE MODEL

WITH FLUSH MOUNTING BRACKETS (4 SETS INCLUDED)  
 REPLACEMENT BRACKET KIT P/N E511656 AVAILABLE SEPARATELY



INSTALLATION NOTES:

1. ATTACH BRACKET "A" TO TOUCHMONITOR (ALL FOUR SIDES) WITH LOW PROFILE SCREWS (INCLUDED)
2. ATTACH BRACKET "C" TO CUSTOMER PANEL PER CUT-OUT DRAWING (ALL FOUR SIDES)
3. ATTACH BRACKET "B" TO BRACKET "C" (ALL FOUR SIDES) WITH M4 HEX HEAD SCREWS (INCLUDED)
4. ADJUST DEPTH OF BRACKET "B" SO TOUCHSCREEN IS FLUSH WITH CUSTOMER PANEL
5. PLACE TOUCHMONITOR INTO CUSTOMER PANEL OPENING FROM FRONT SIDE
6. SECURE TOUCHMONITOR TO BRACKET "B" FROM BEHIND WITH M4 HEX HEAD SCREWS (INCLUDED)

