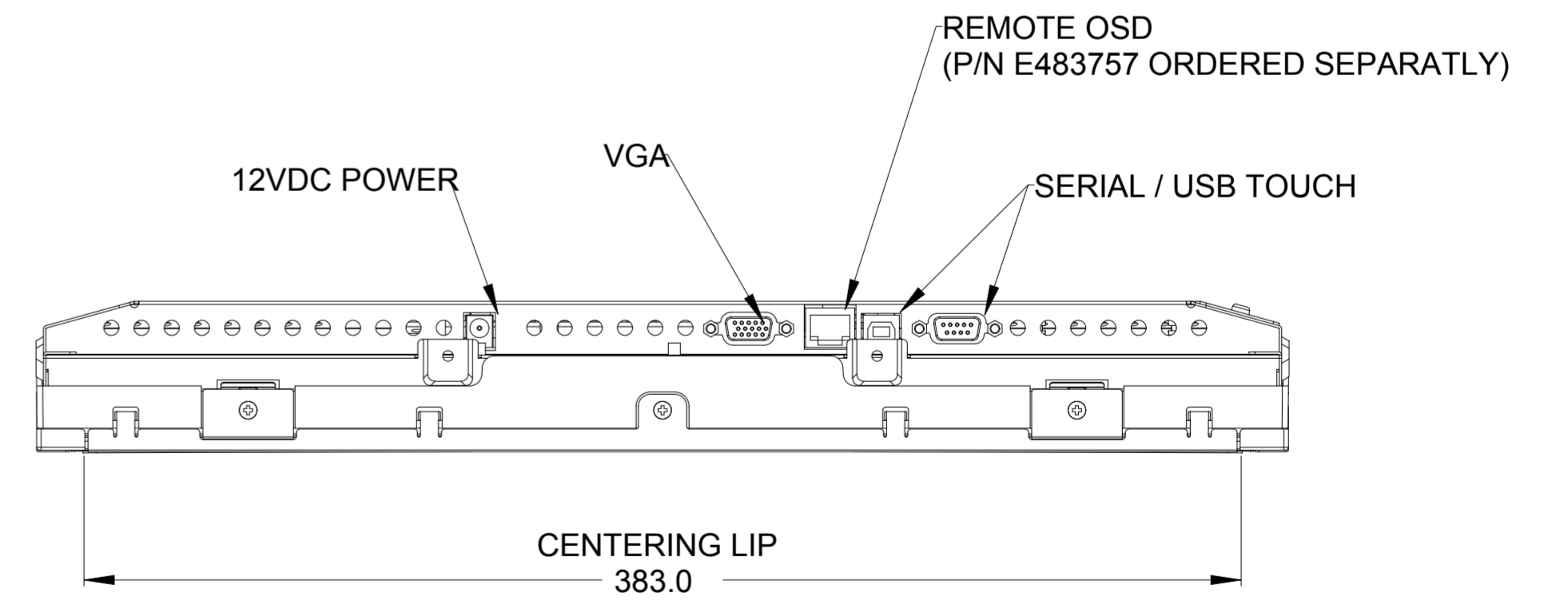
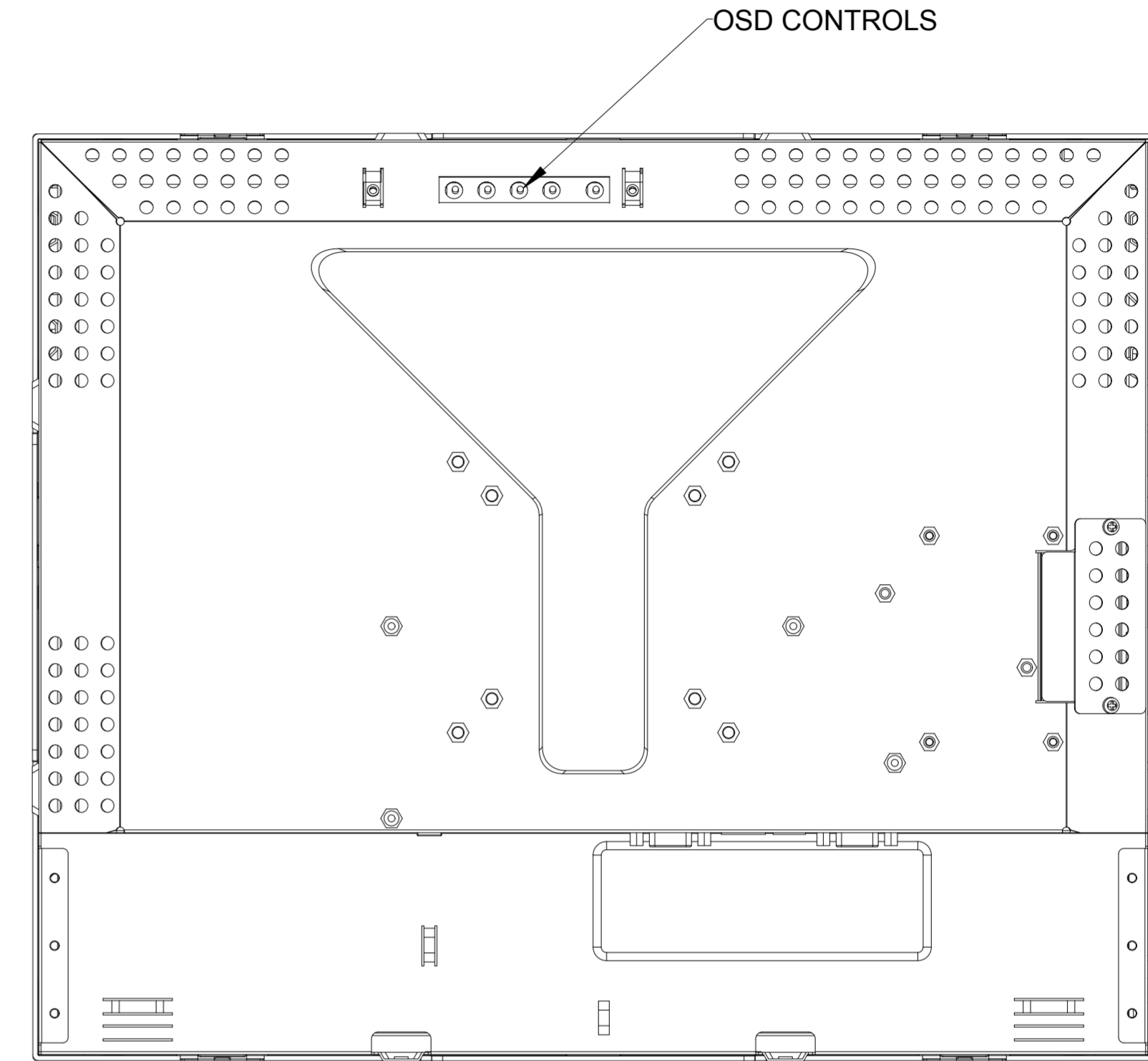
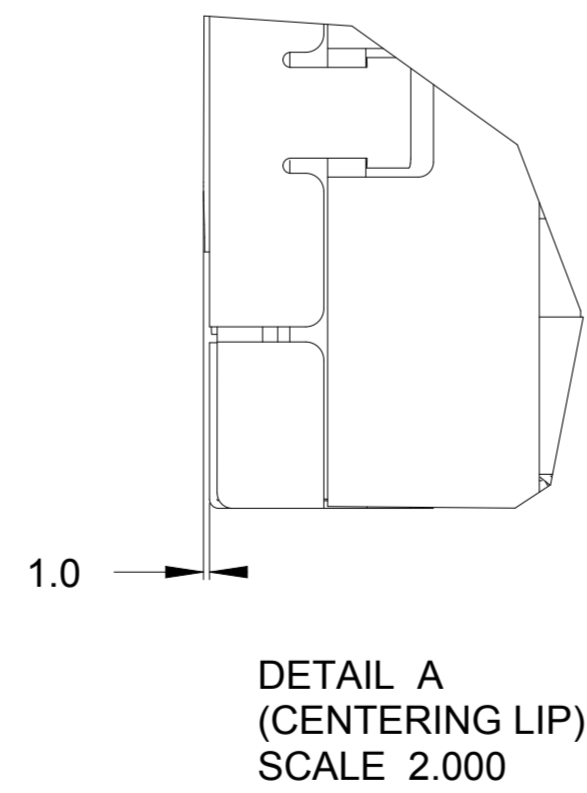
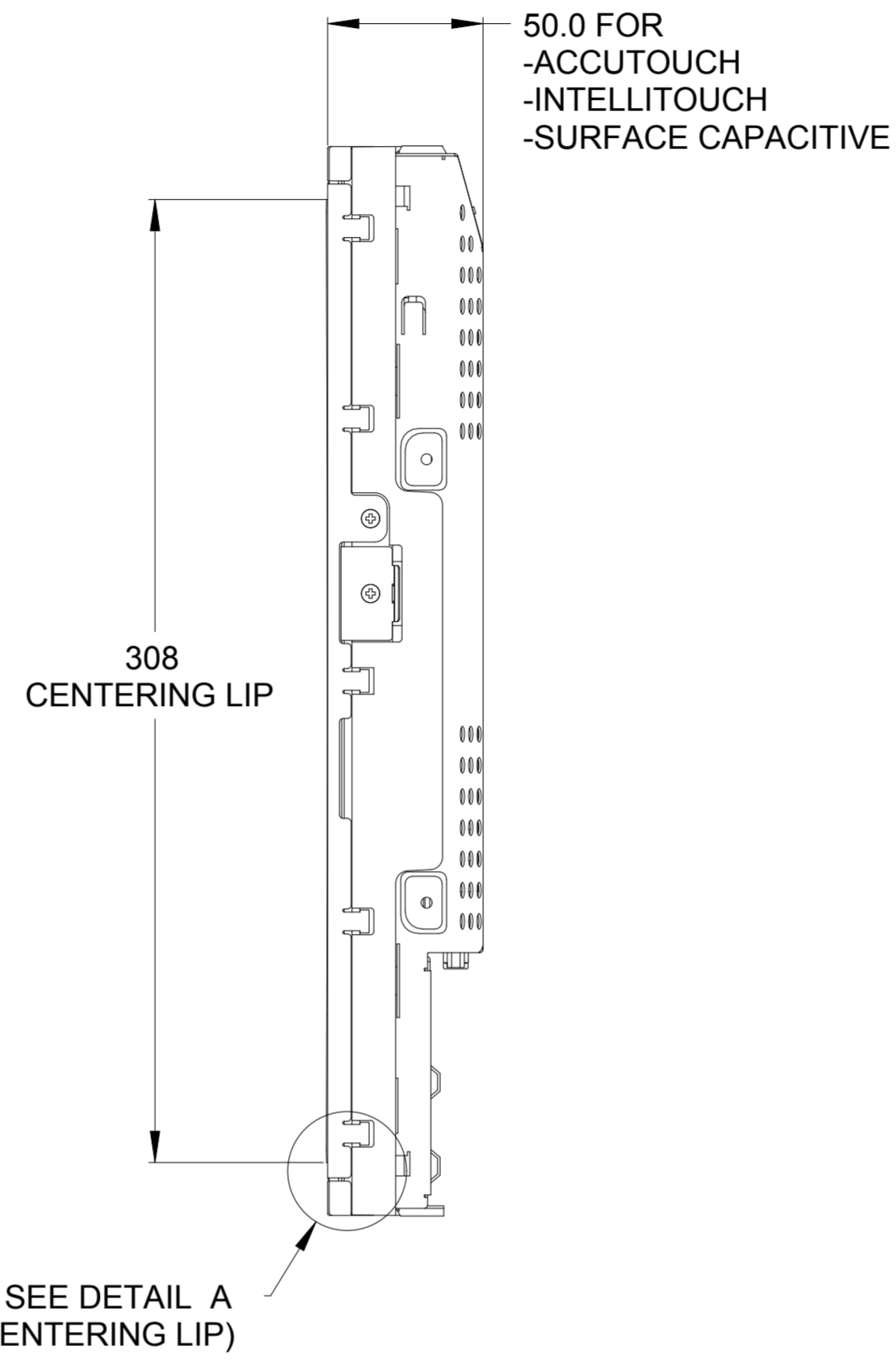
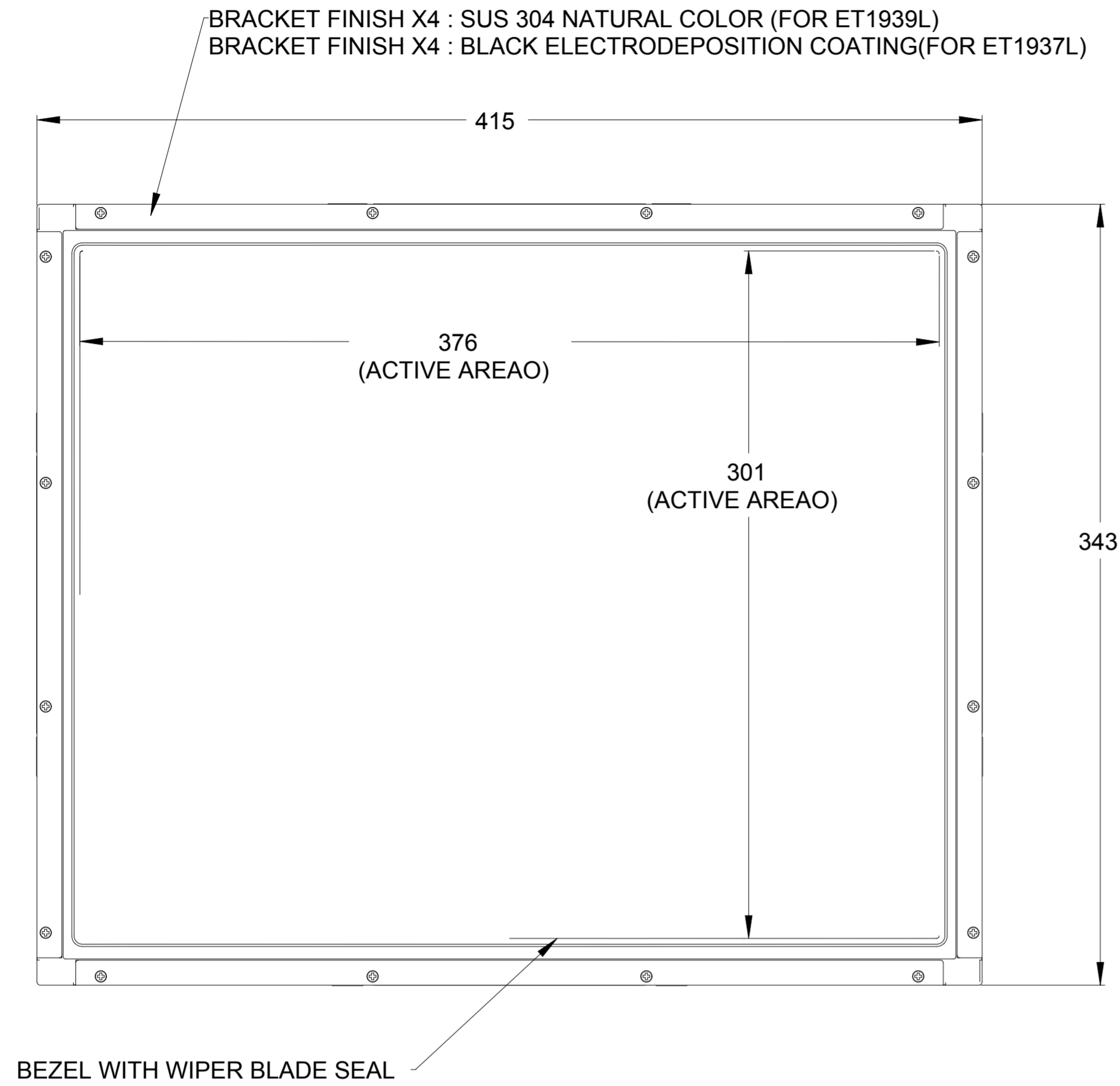
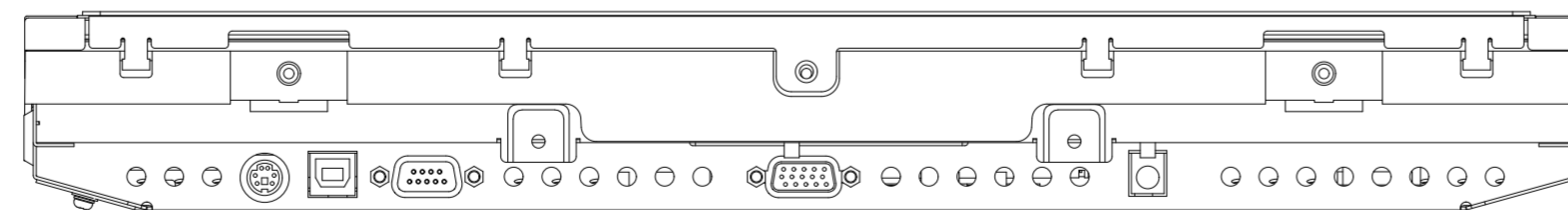
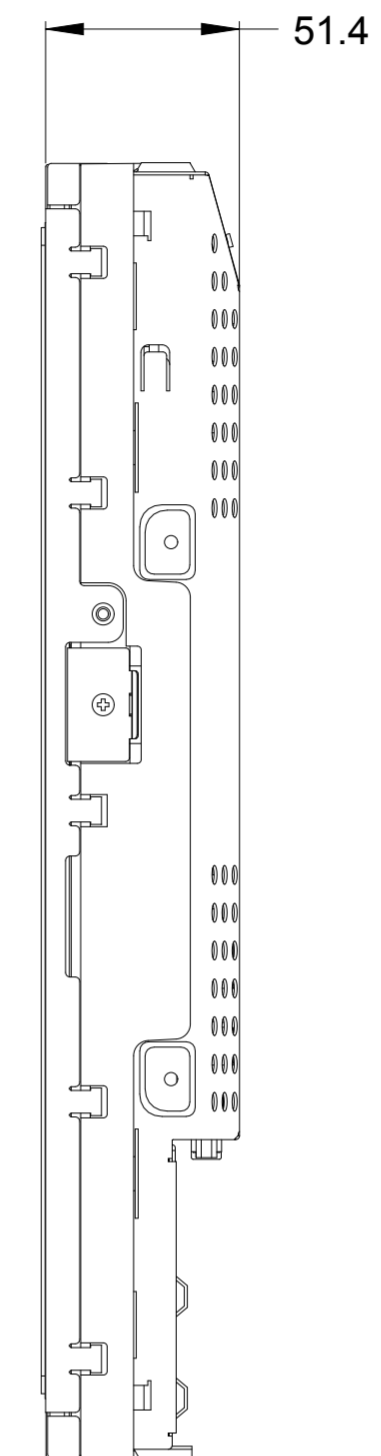
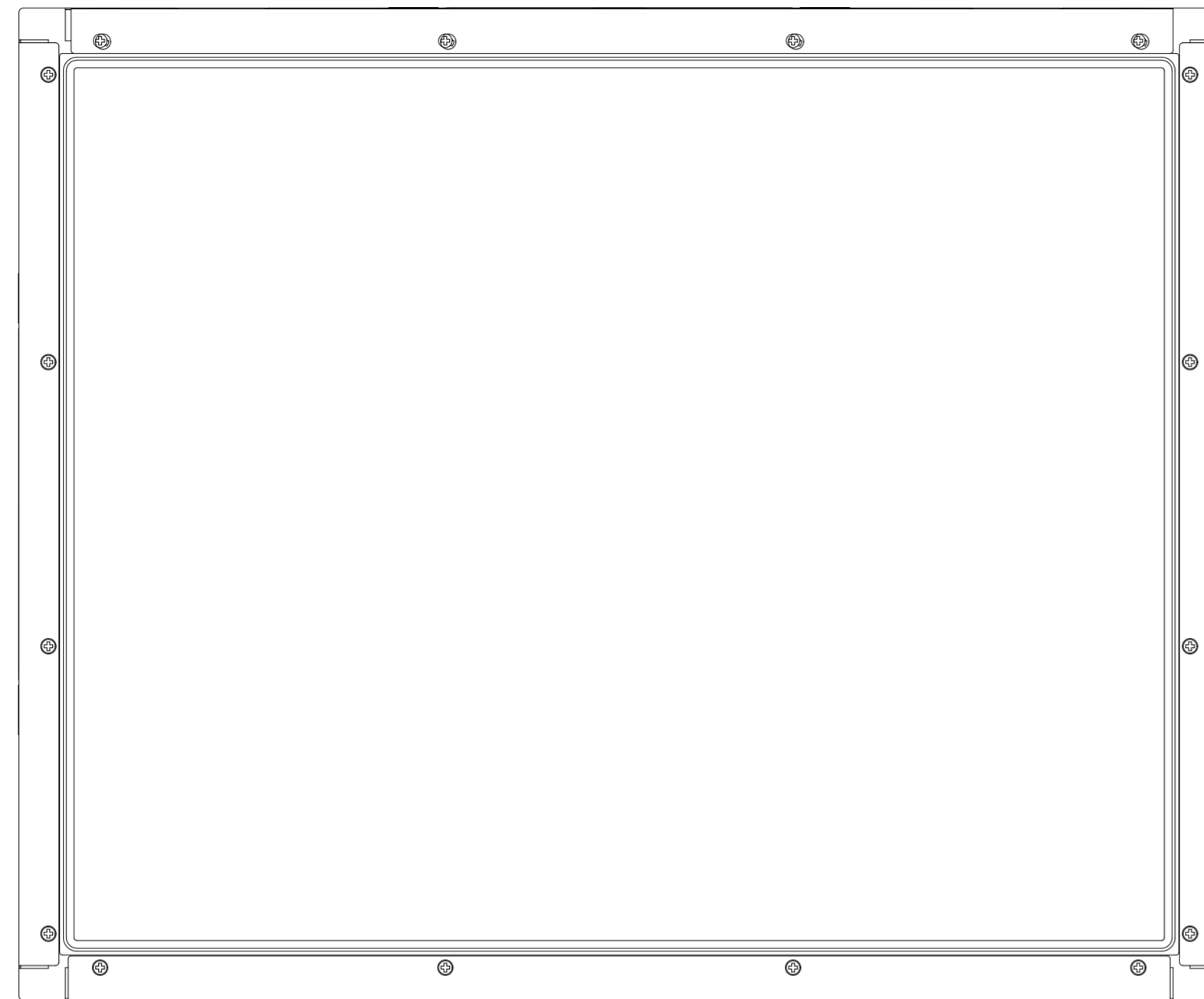


- NOTES:
 1. ALL DIMENSIONS +/- 1.0MM UNLESS NOTED
 2. DIMENSIONS SHOW ARE FOR ALL TOUCH TECHNOLOGIES UNLESS NOTED

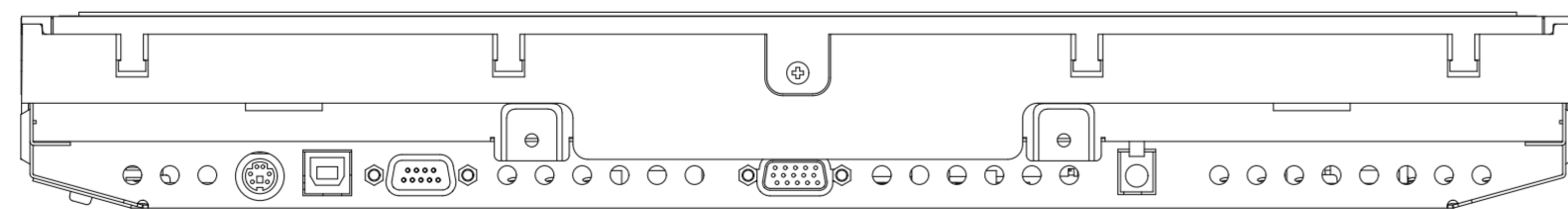
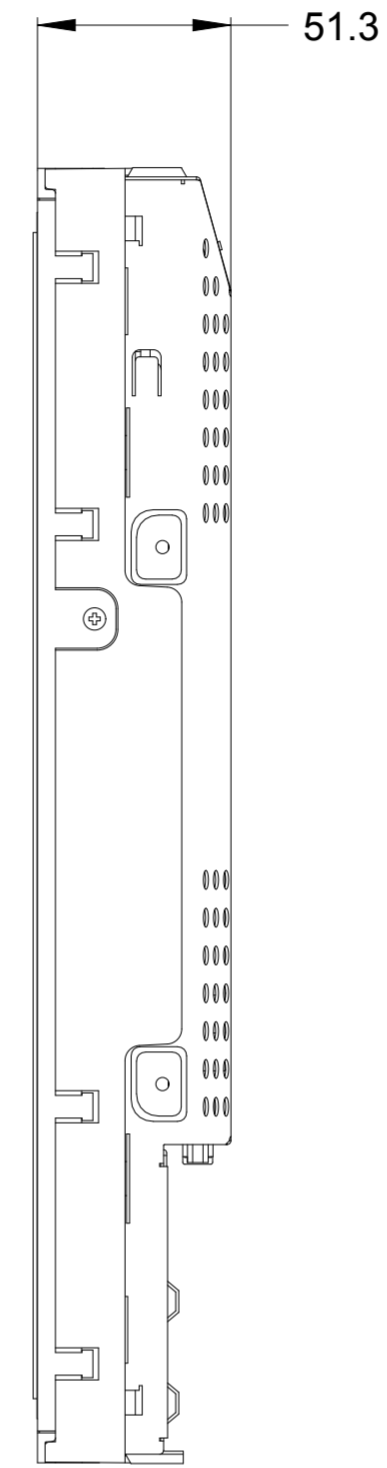
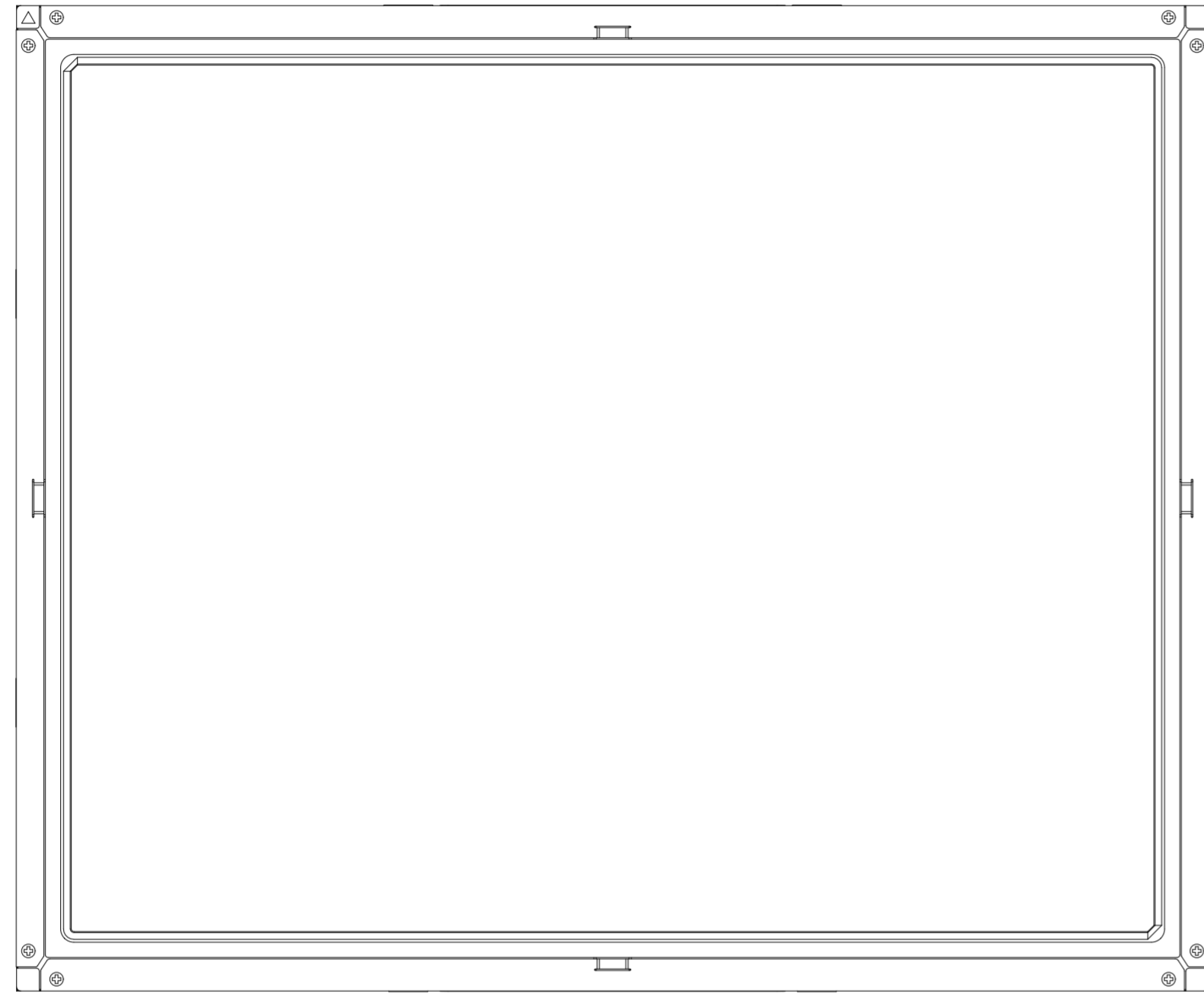
TITLE: ET1939L/ET1937L-XCWA-X



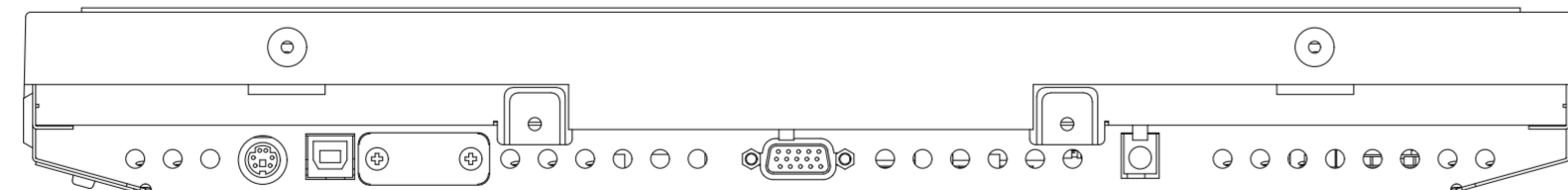
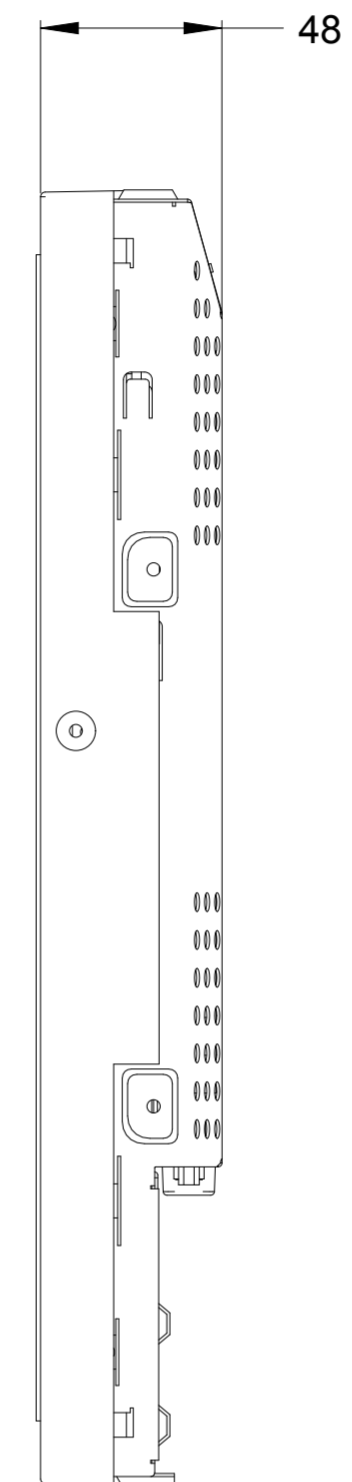
SECURE TOUCH OPTION (FOR ET1939L ONLY)



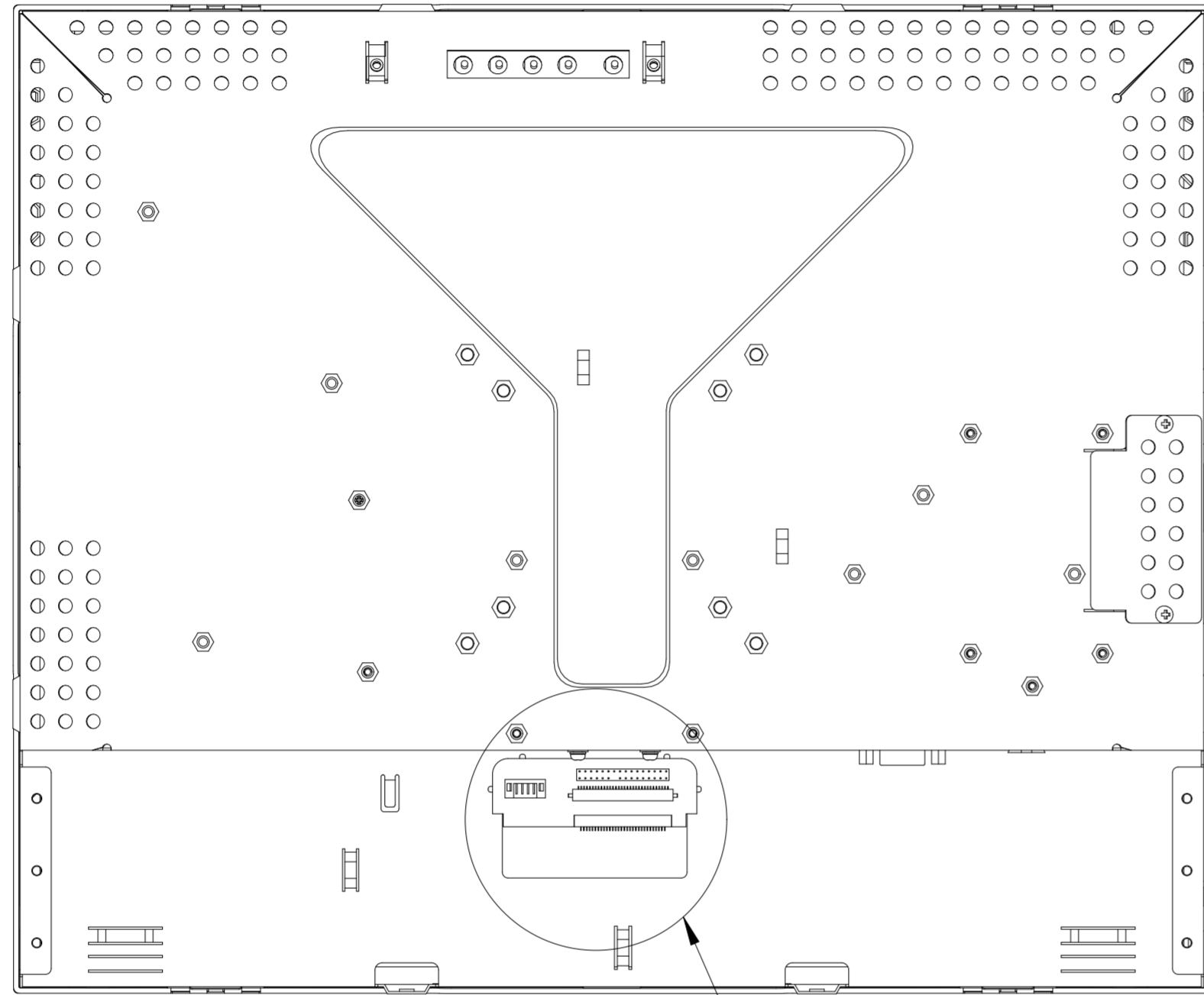
IR OPTION (FOR ET1939L ONLY)



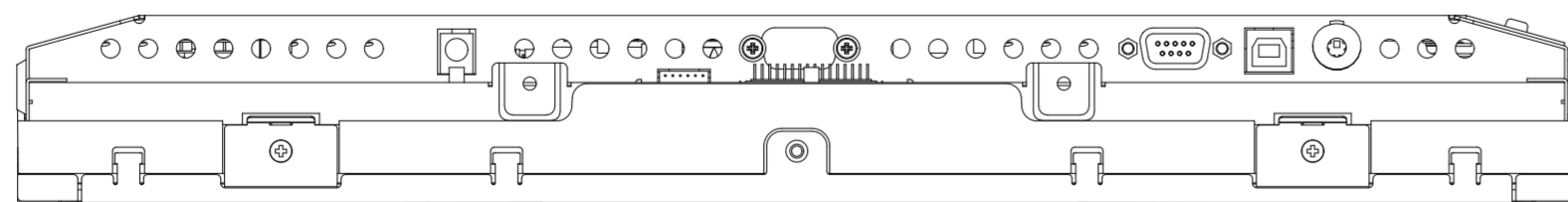
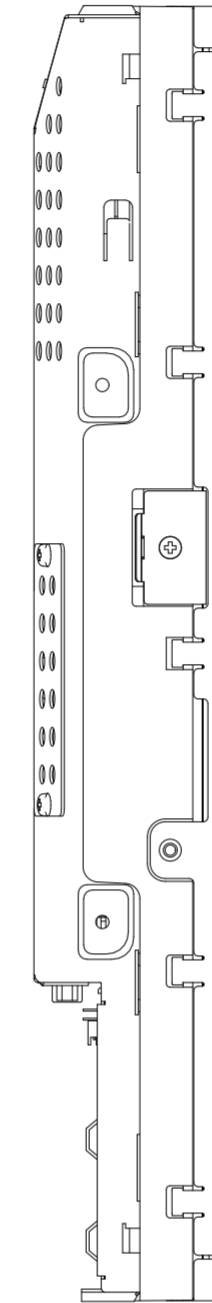
APR OPTION



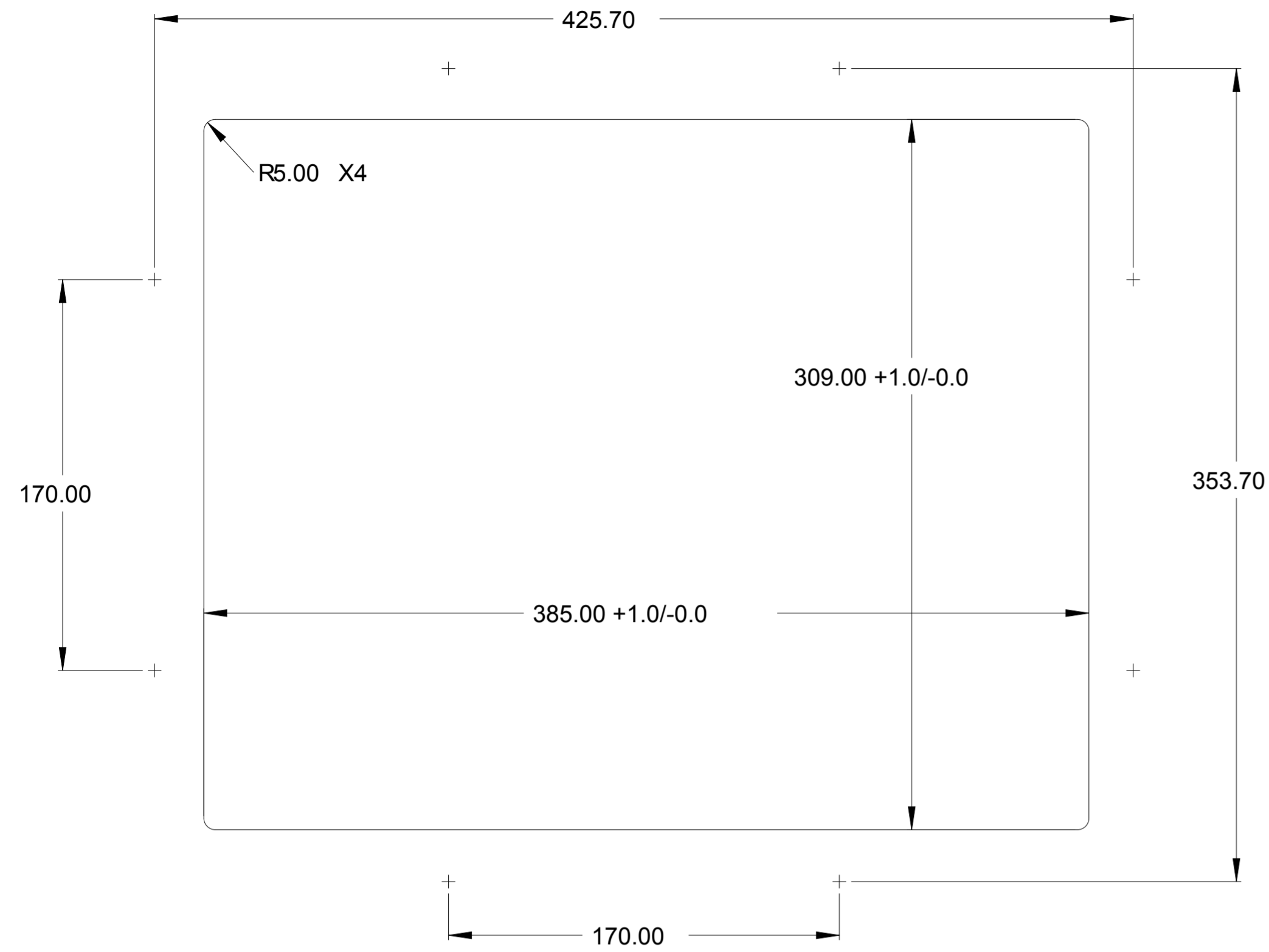
LVDS OPTION (FOR ET1939L ONLY)



SEE USER GUIDE
FOR LVDS CONNECTION DETAILS



**RECOMMENDED CUSTOMER
PANEL CUT-OUT**(SEE NOTE A)



TITLE: ET1939L/ET1937L-XCWA-X

NOTE A
CUSTOMER PANEL MATERIAL:

1. WOOD: \varnothing 4.5 HOLES THRU FOR M4 SCREWS W/NUTS, OR, NO THRU HOLES, SCREWS FOR WOOD \varnothing 4mm

2. SHEET METAL: CONCEALED HEAD THREADED STUDS M4 W/NUTS.

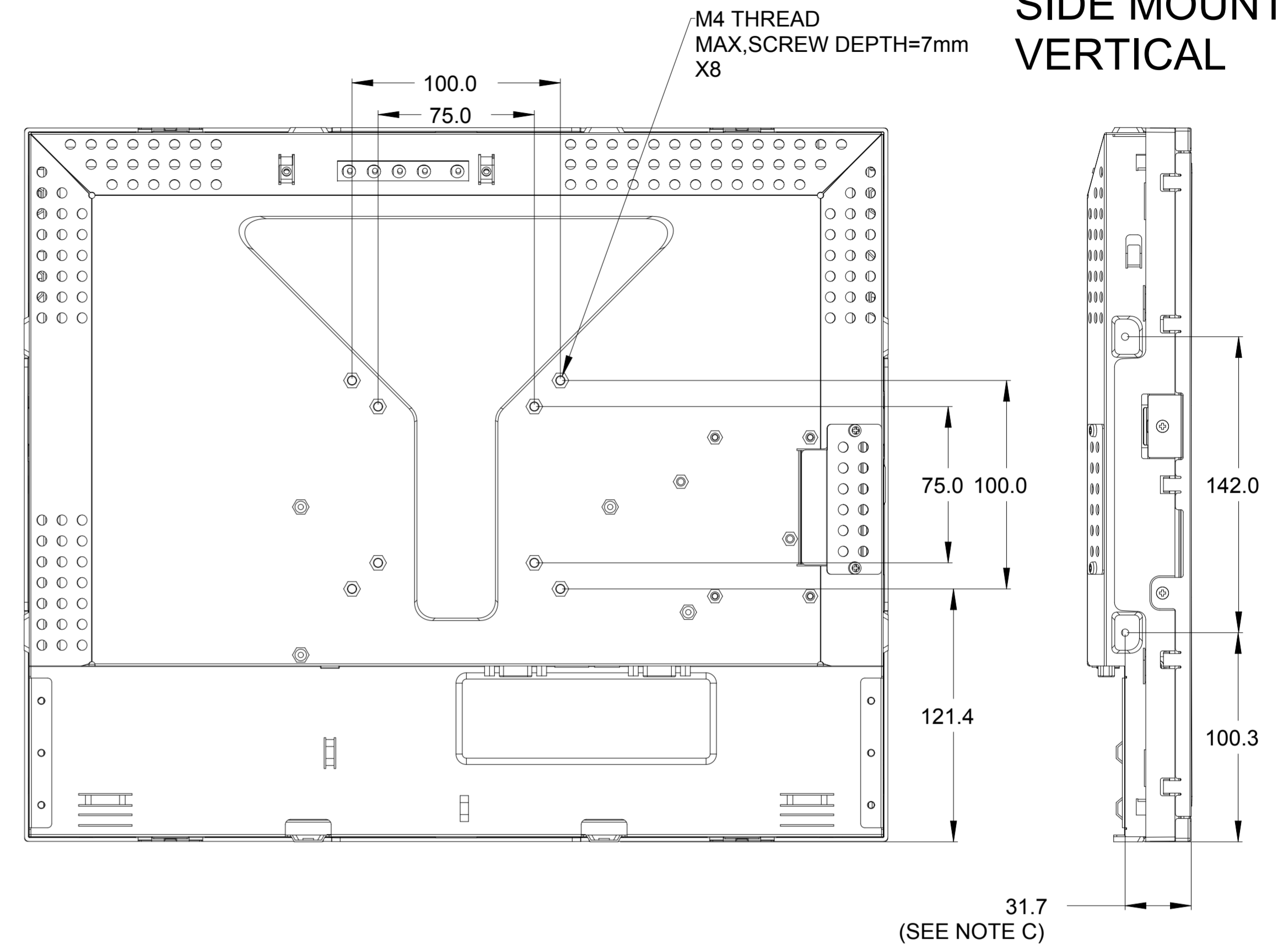
NOTE B
MONITOR INCLUDES 2 BRACKETS. ADDITIONAL BRACKETS AVAILABLE, P/N E147211

NOTE C
33.3mm=SECURE TOUCH
33.2mm=IR
30.2mm=APR

NOTE D
15.9mm=SECURE TOUCH
15.8mm=IR
12.5mm=APR

NOTE E
1.6mm=SECURE TOUCH
1.7mm=IR
5.0mm=APR

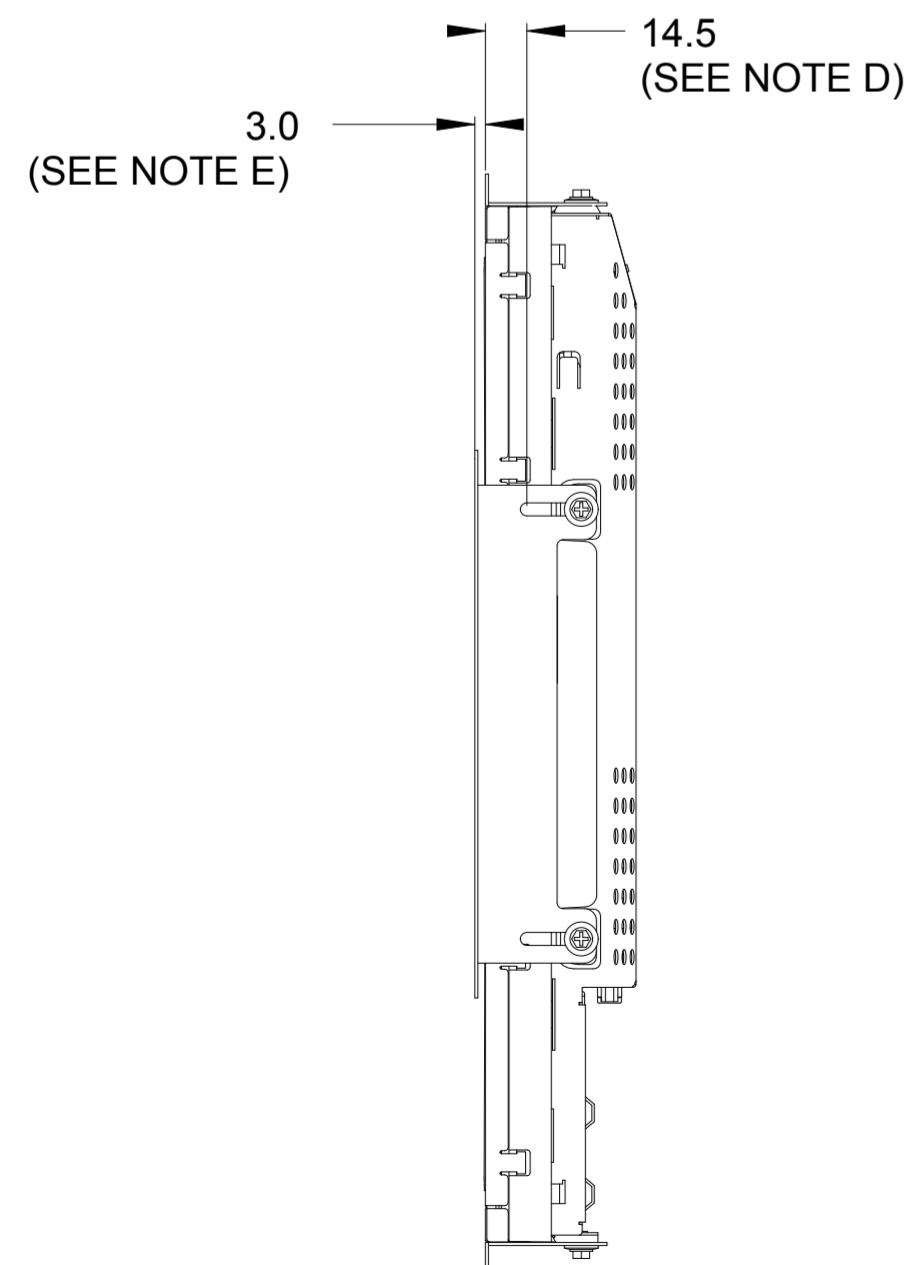
VESA MOUNT



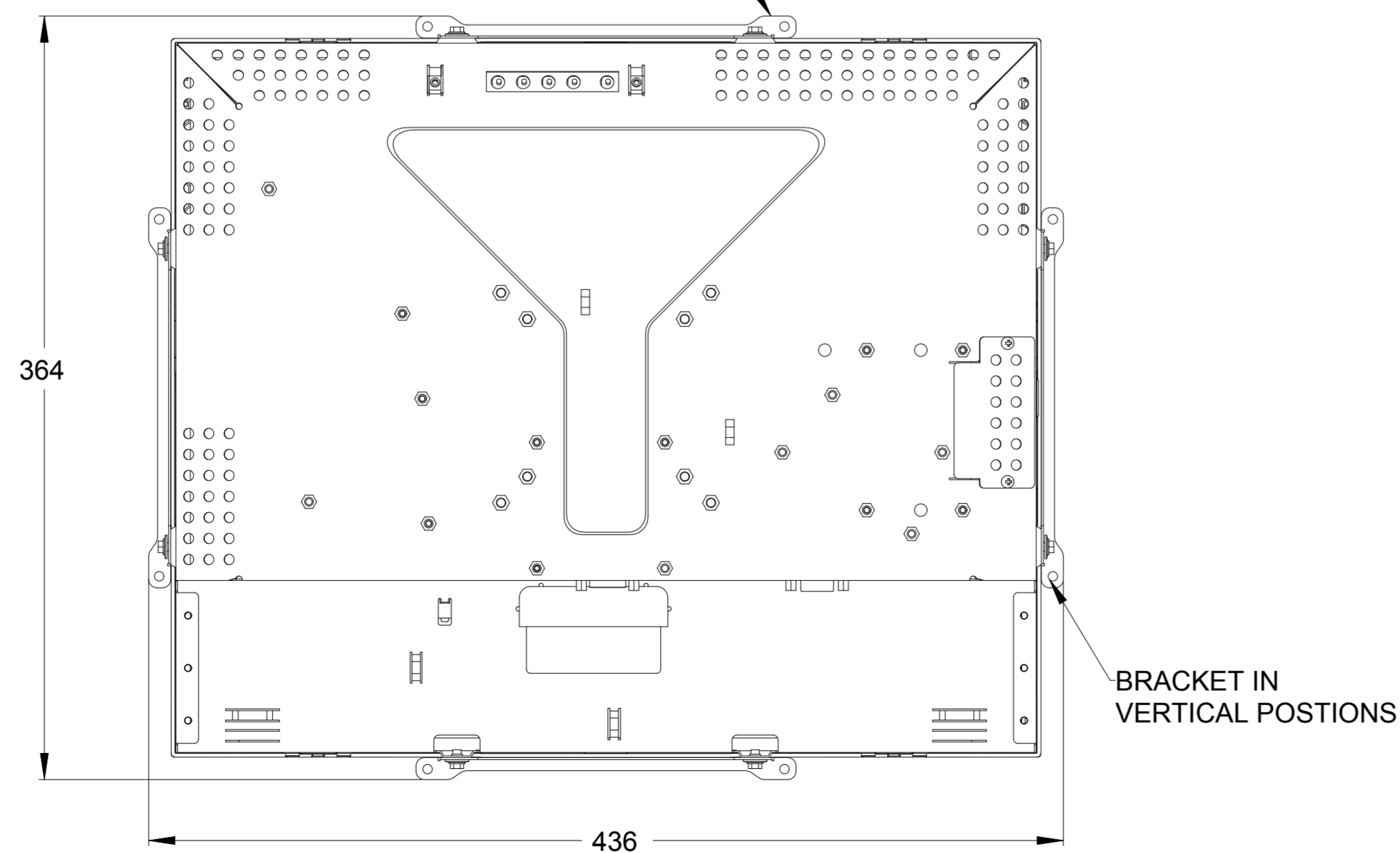
SIDE MOUNT, VERTICAL

REAR MOUNT WITH BRACKETS, HORIZONTAL AND VERTICAL(SEE NOTE B)

MOUNTING BRACKET ADJUSTMENT RANGE

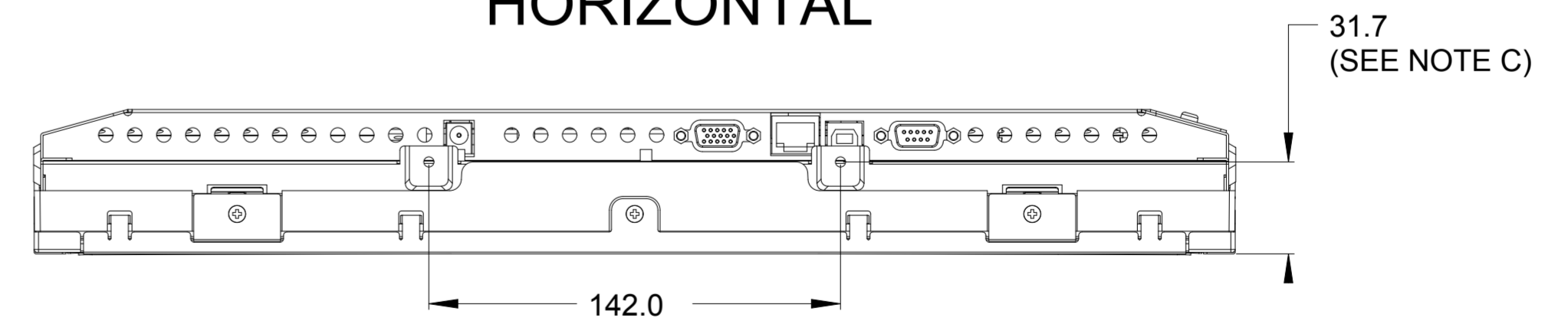


BRACKETS IN HORIZONTAL POSITIONS



BRACKET IN VERTICAL POSITIONS

SIDE MOUNT, HORIZONTAL



DIMENSIONS ARE IN MILLIMETERS

SHEET 6 OF 8

elo

MS500786

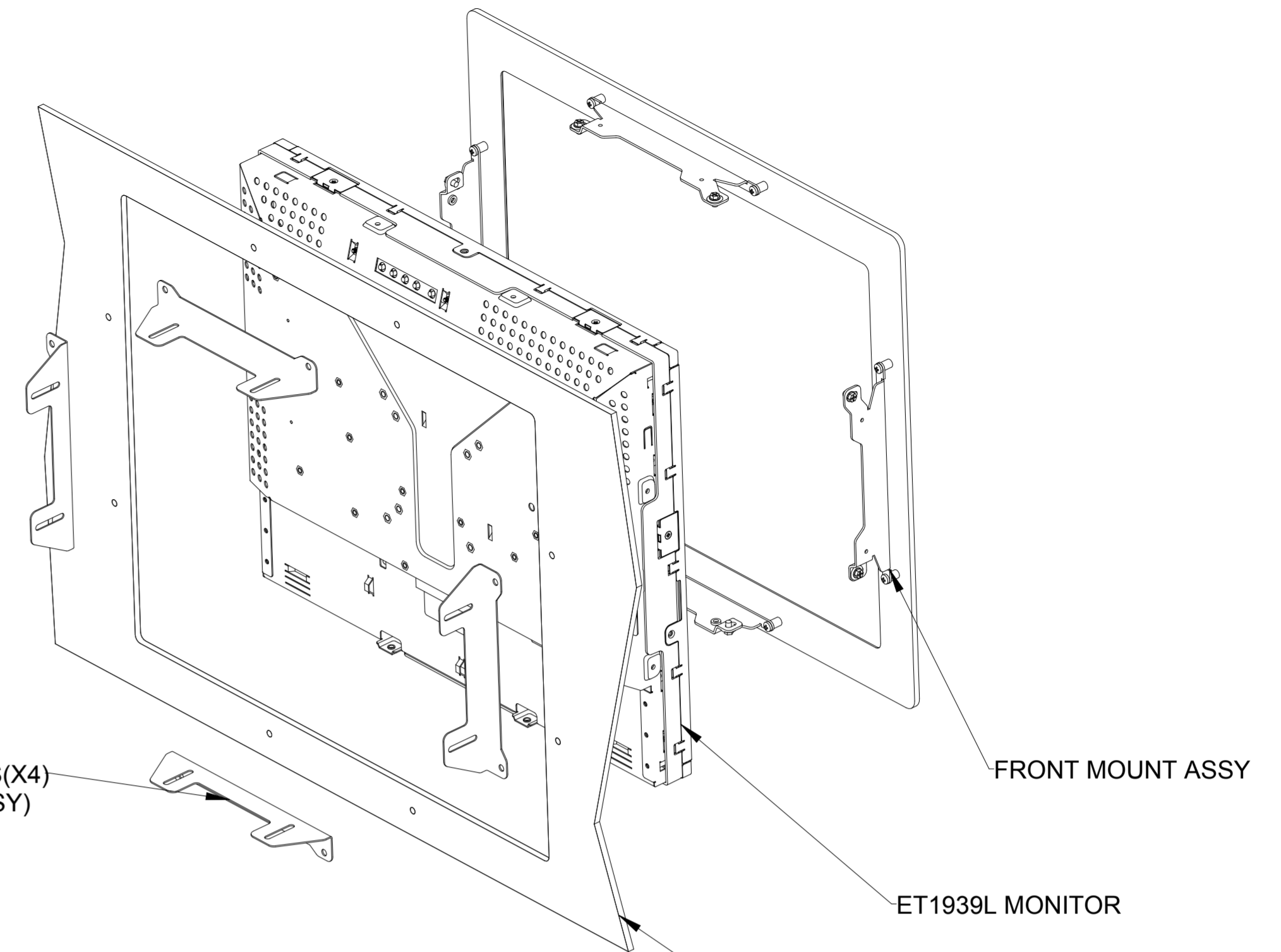
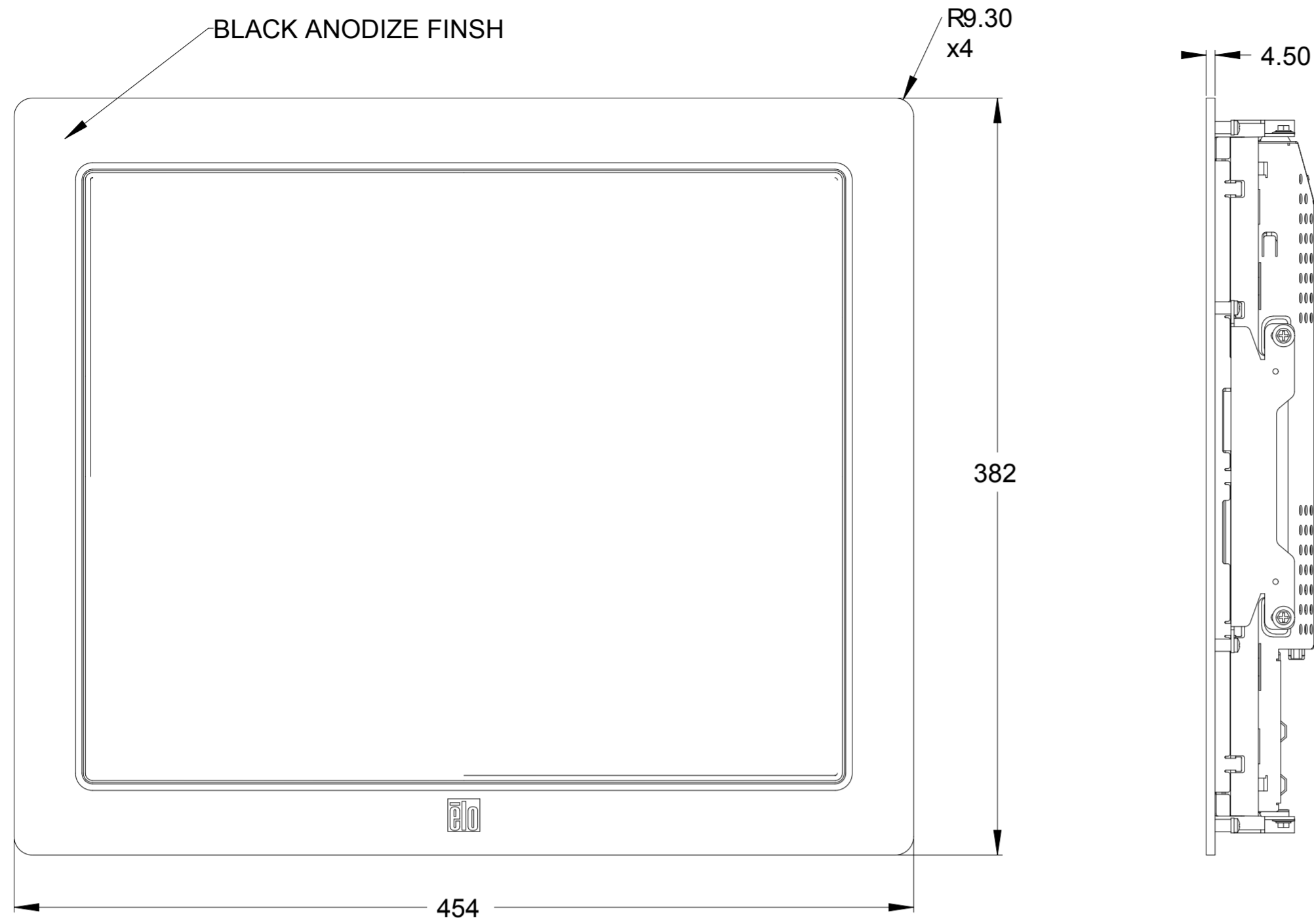
DATE: 06/10/15

REV: K

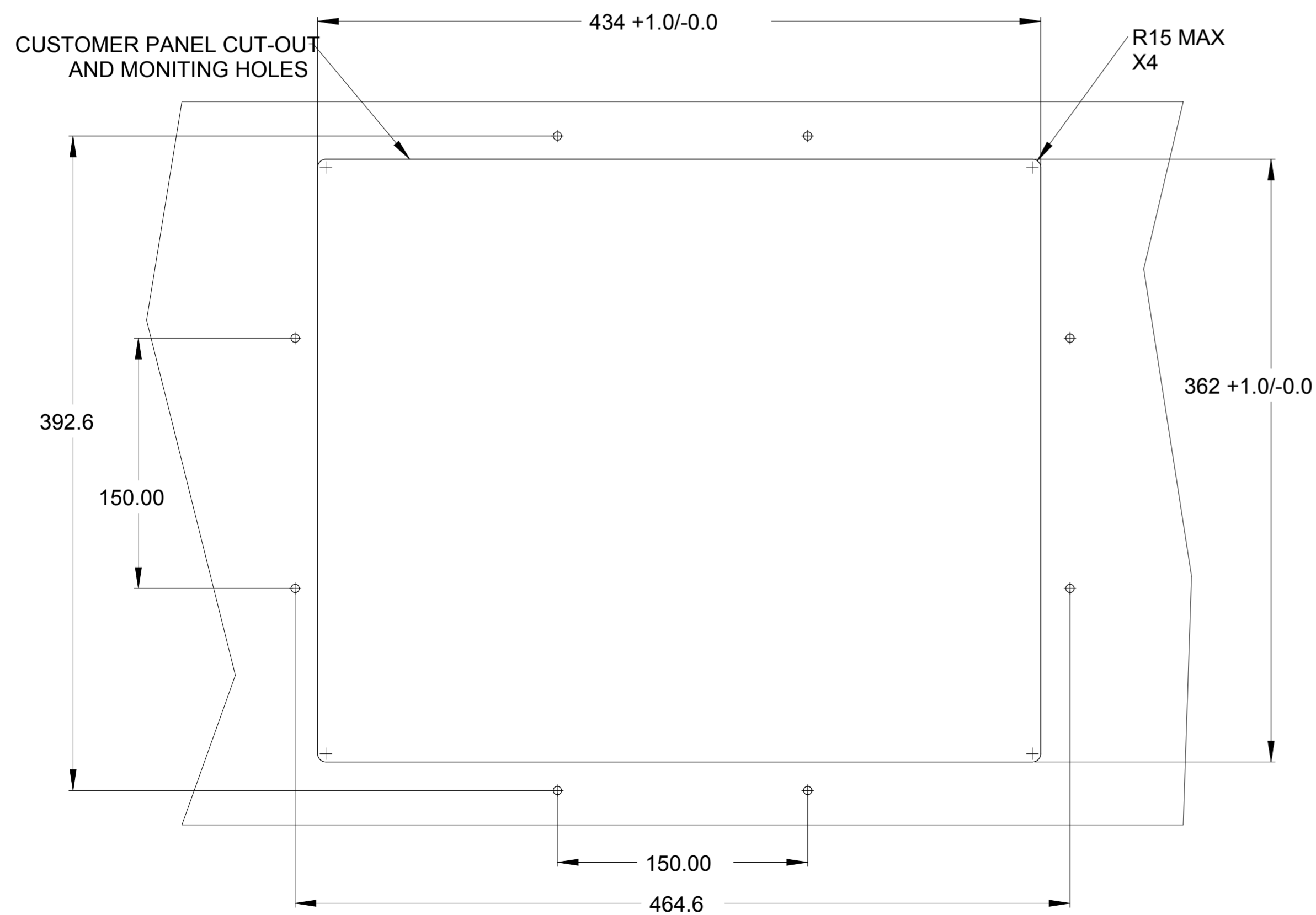
FRONT MOUNT OPTION

P/N E163604

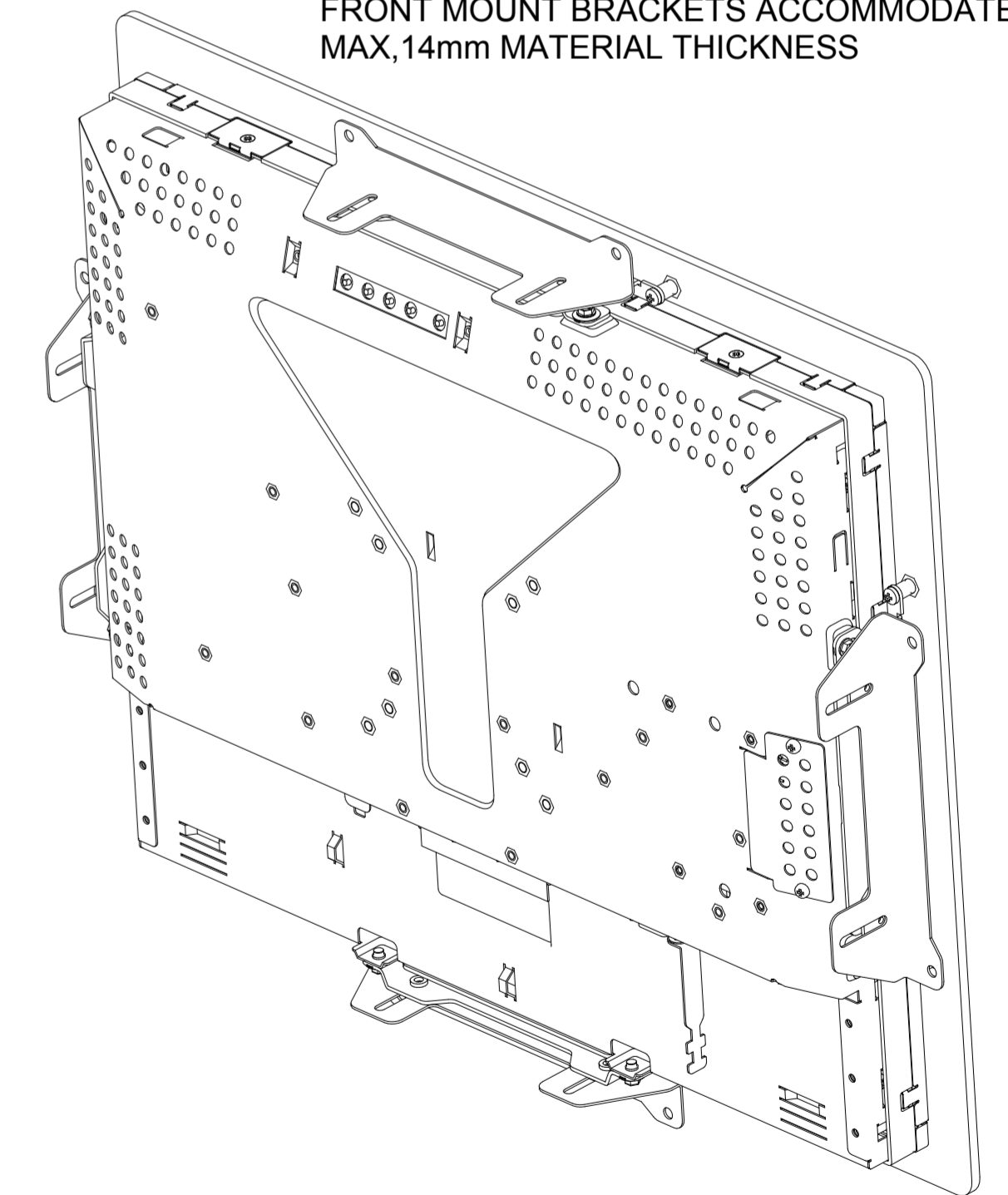
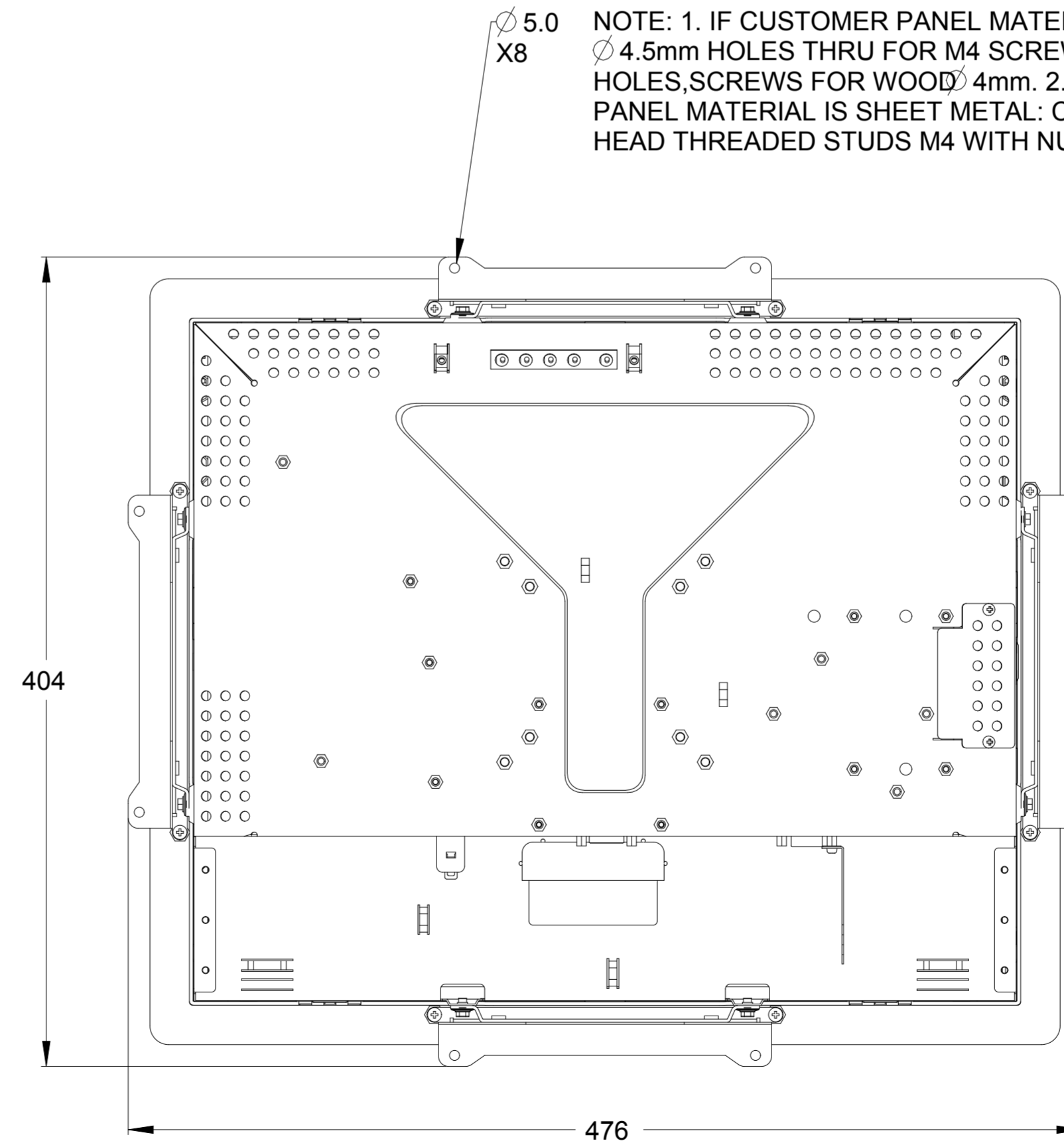
(ORDERED SEPERATLY,CUSTOMER ASSEMBLED)



CUSTOMER PANEL:
FRONT MOUNT BRACKETS ACCOMMODATE
MAX,14mm MATERIAL THICKNESS



NOTE: 1. IF CUSTOMER PANEL MATERIAL IS WOOD:
Ø 4.5mm HOLES THRU FOR M4 SCREWS, OR NO THRU
HOLES,SCREWS FOR WOOD Ø 4mm. 2.IF CUSTOMER
PANEL MATERIAL IS SHEET METAL: CONCEALED
HEAD THREADED STUDS M4 WITH NUTS



RACK MOUNT OPTION P/N E579652

(ORDERED SEPERATLY,CUSTOMER ASSEMBLED)

BLACK ANODIZE FINSH

