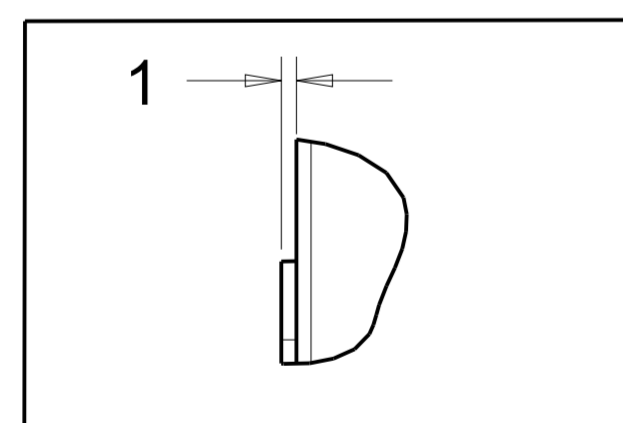
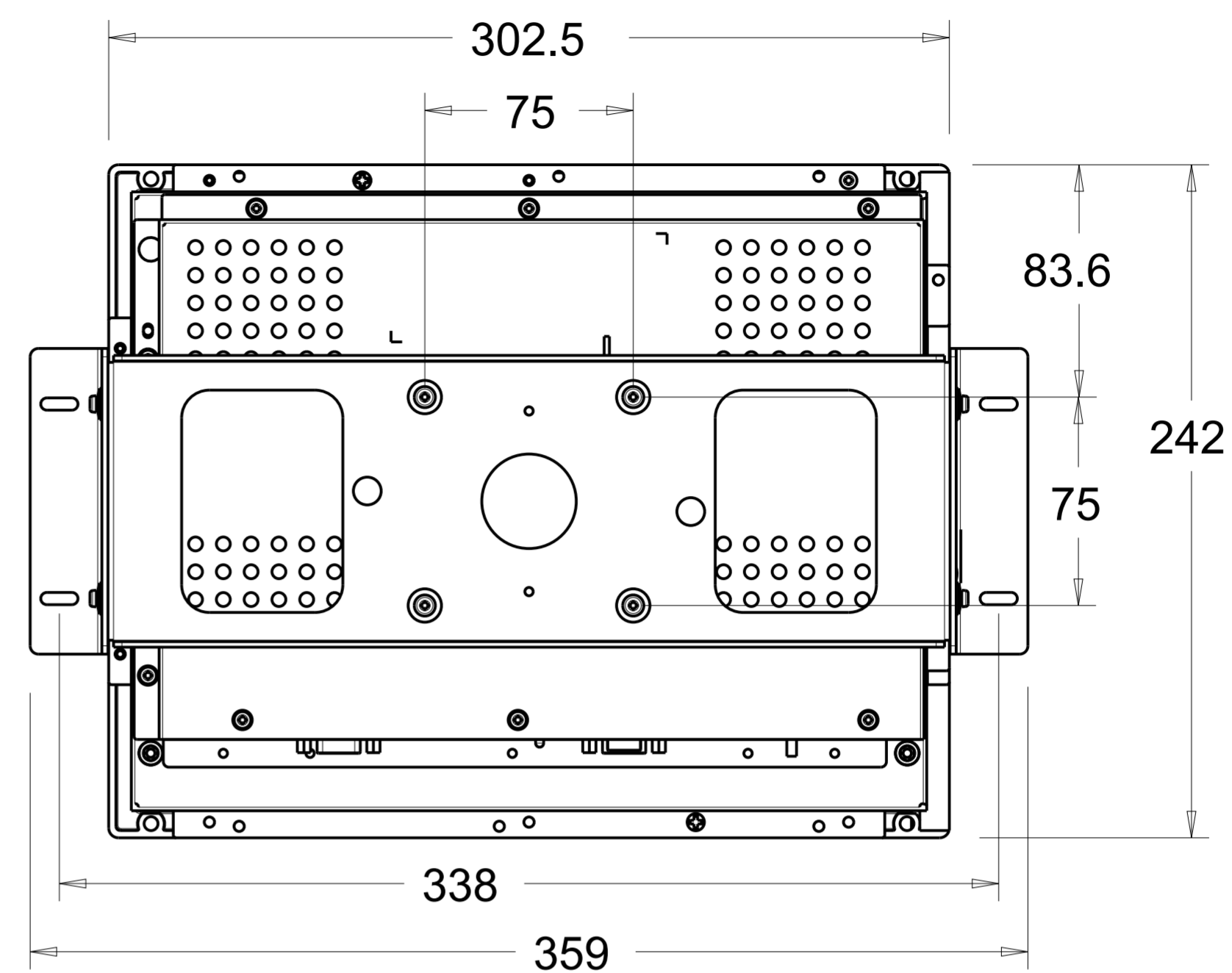
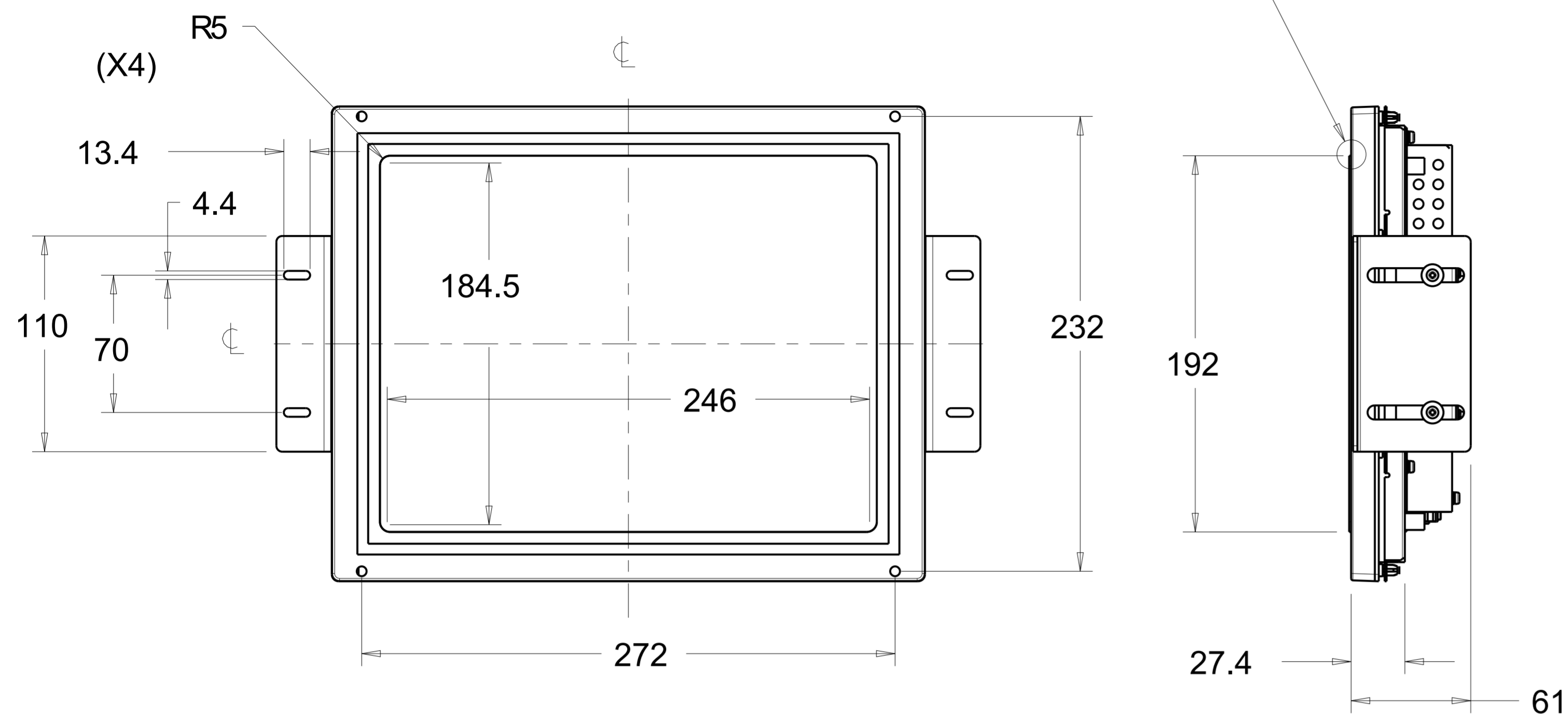
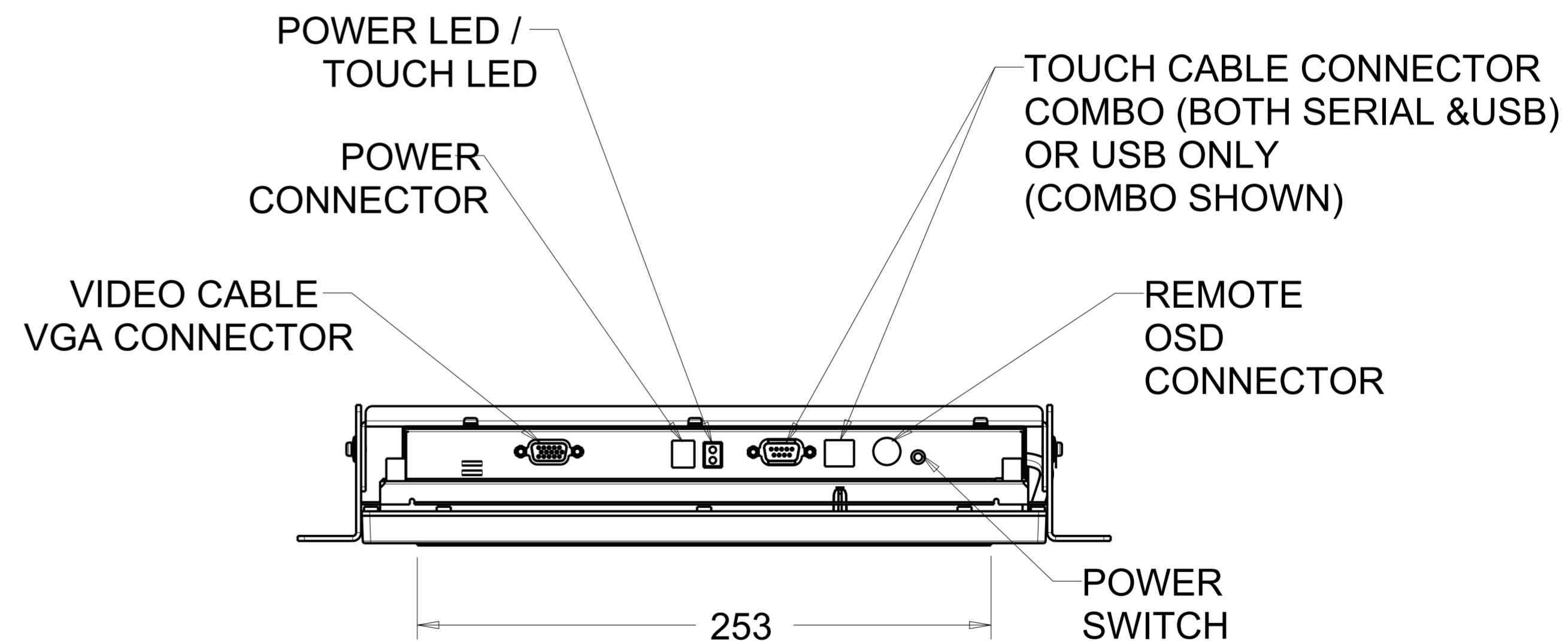
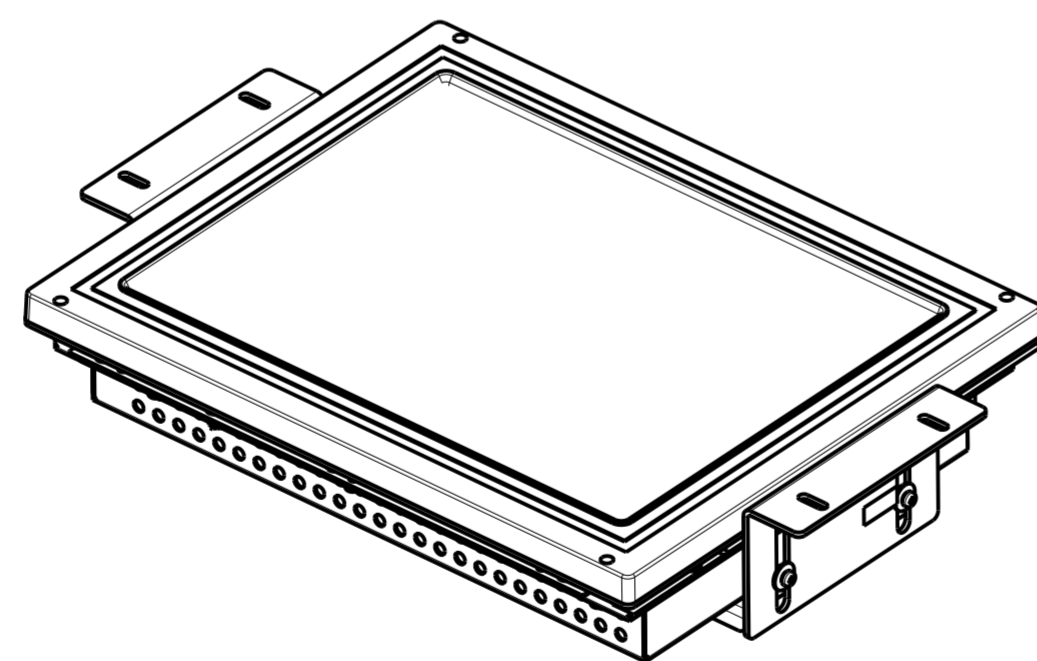


SEE DETAIL CENTERING LIP



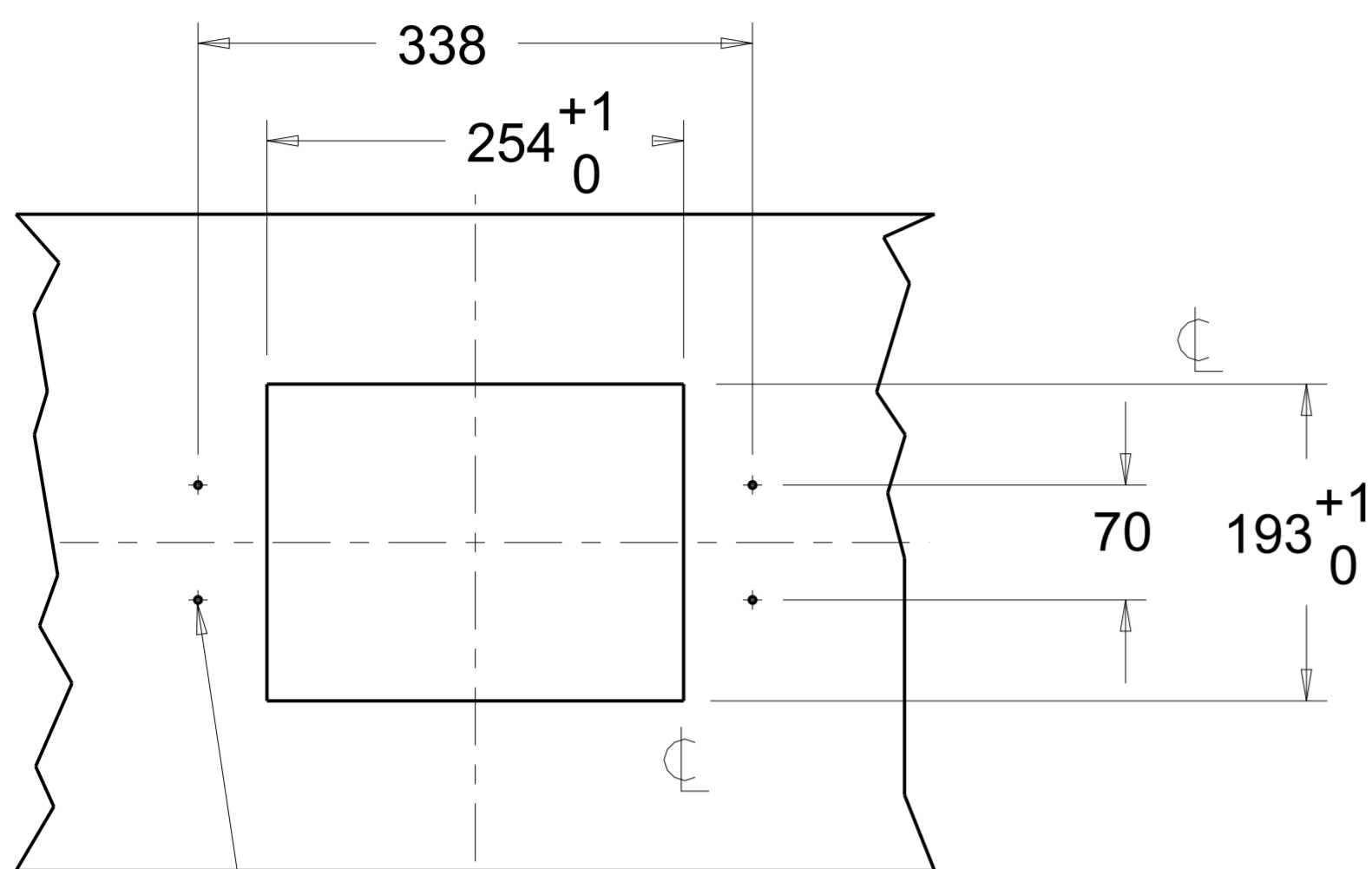
DETAIL CENTERING LIP  
SCALE 2.000



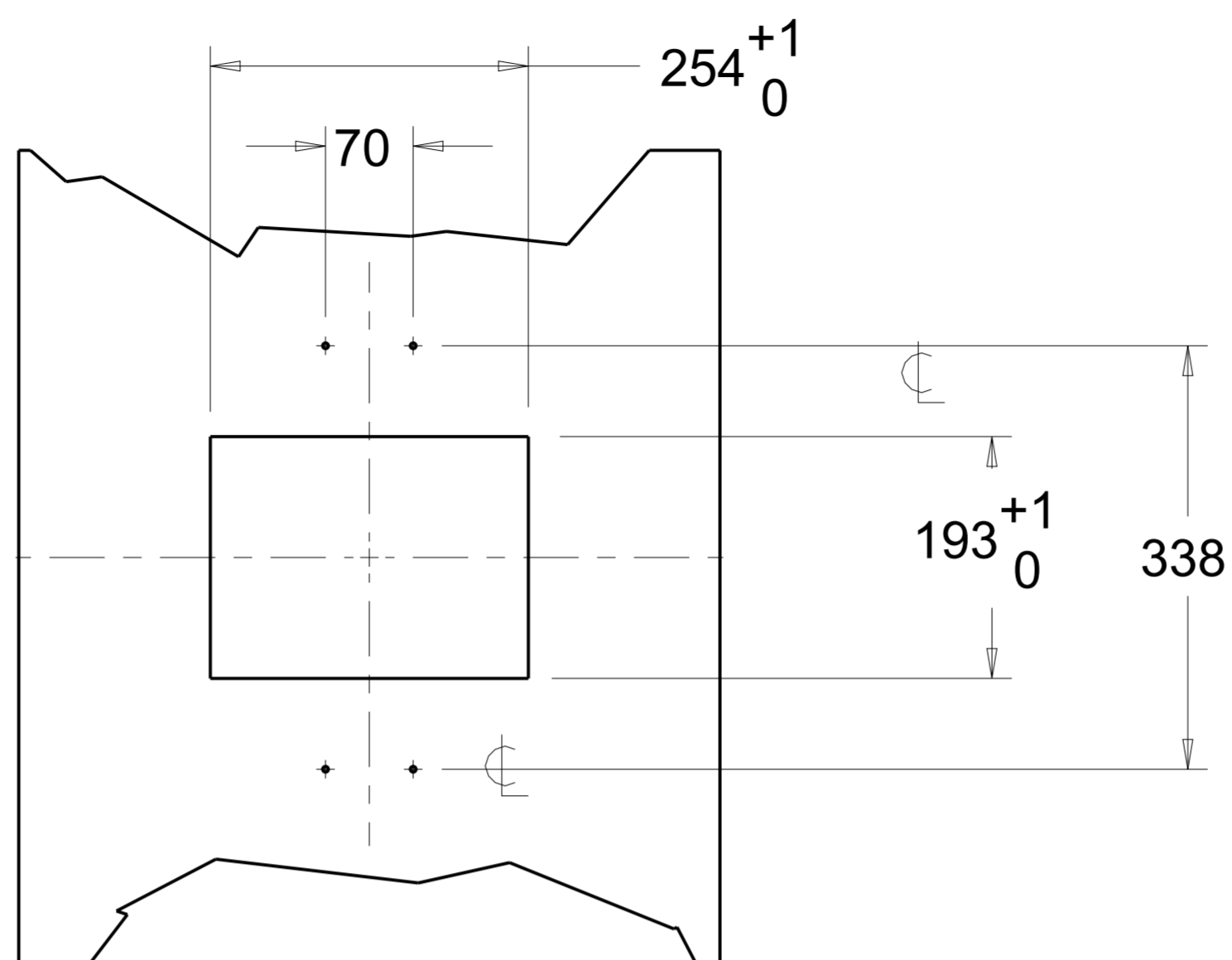
NOTE.  
3D CAD FILES AVAILABLE.

| PART NUMBER TABULATION |                     |
|------------------------|---------------------|
| P/N                    | ITEM                |
| E655204                | ET1247L-8CWA-1-G    |
| E112938                | ET1247-8CWA-1-12V-G |

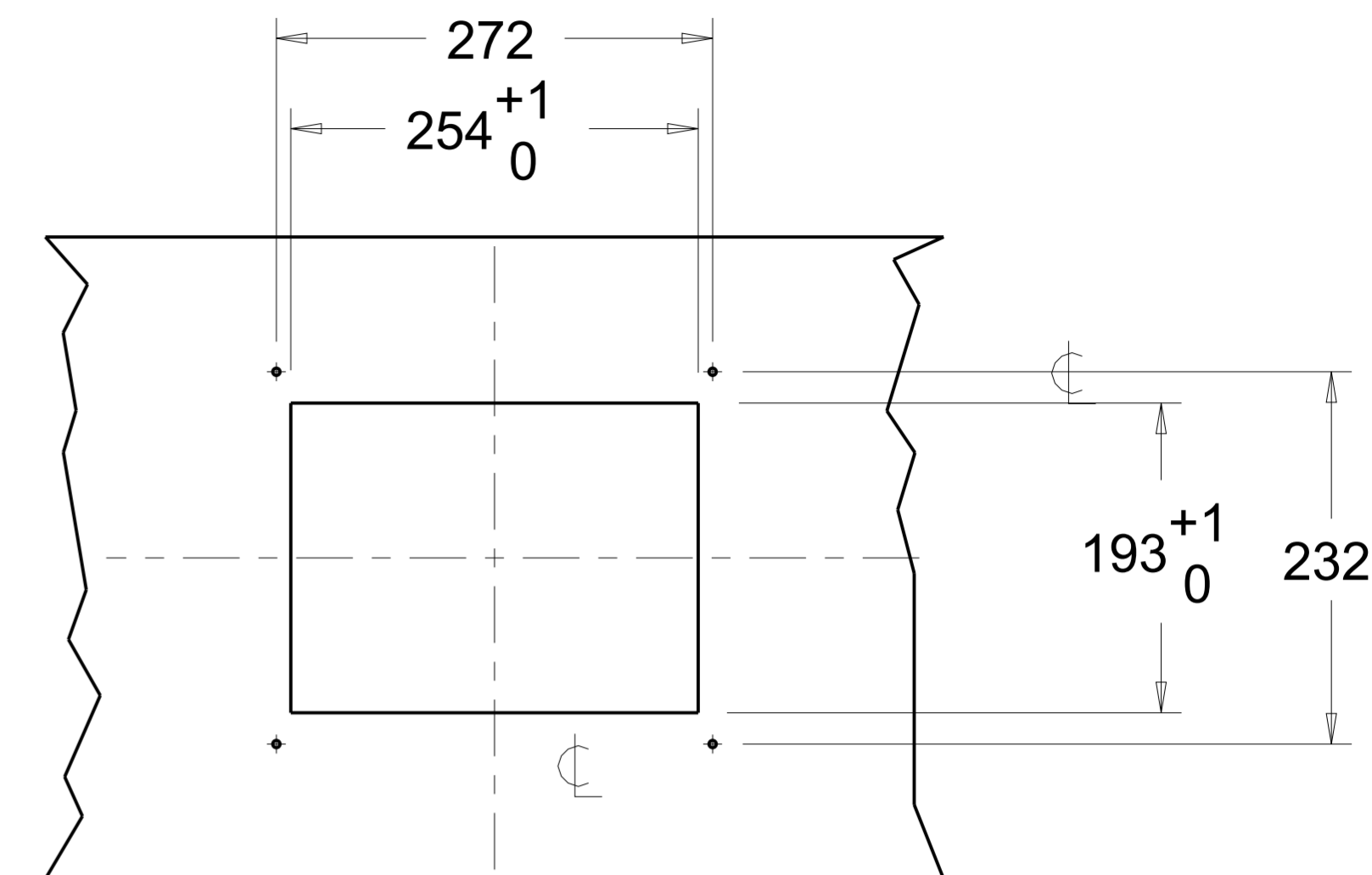
HORIZONTAL MOUNT



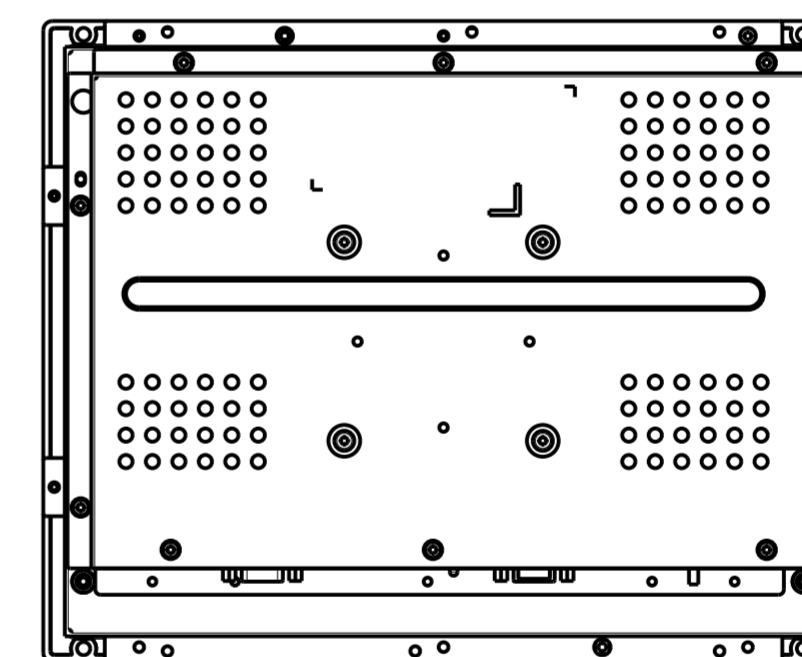
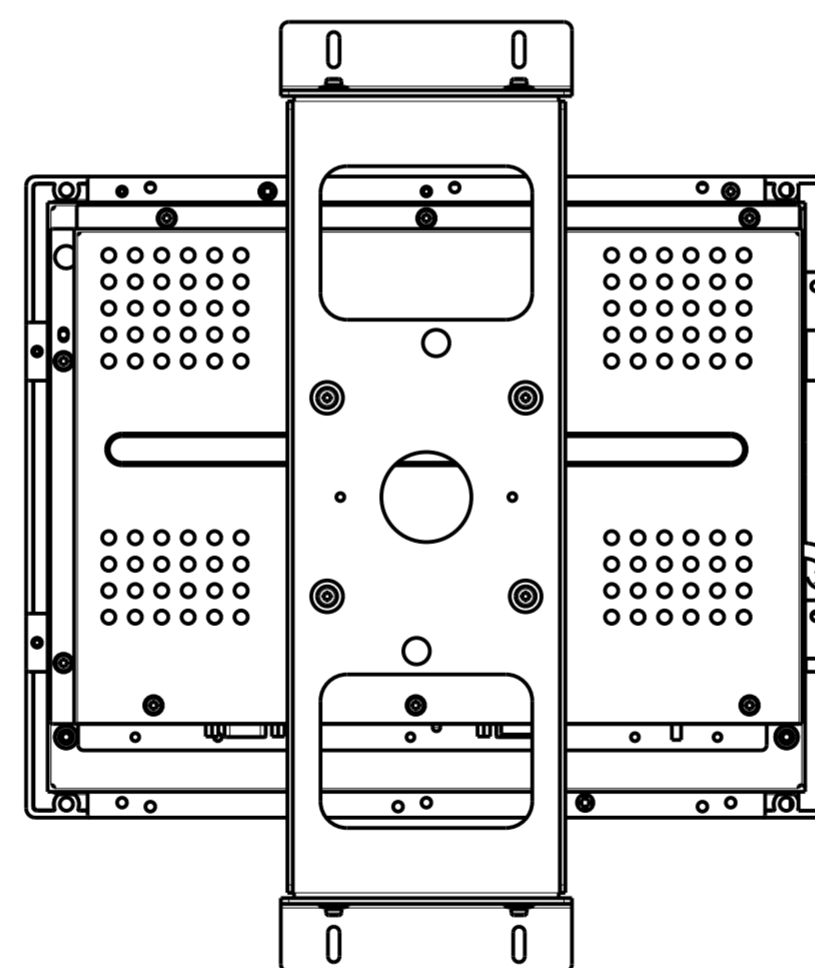
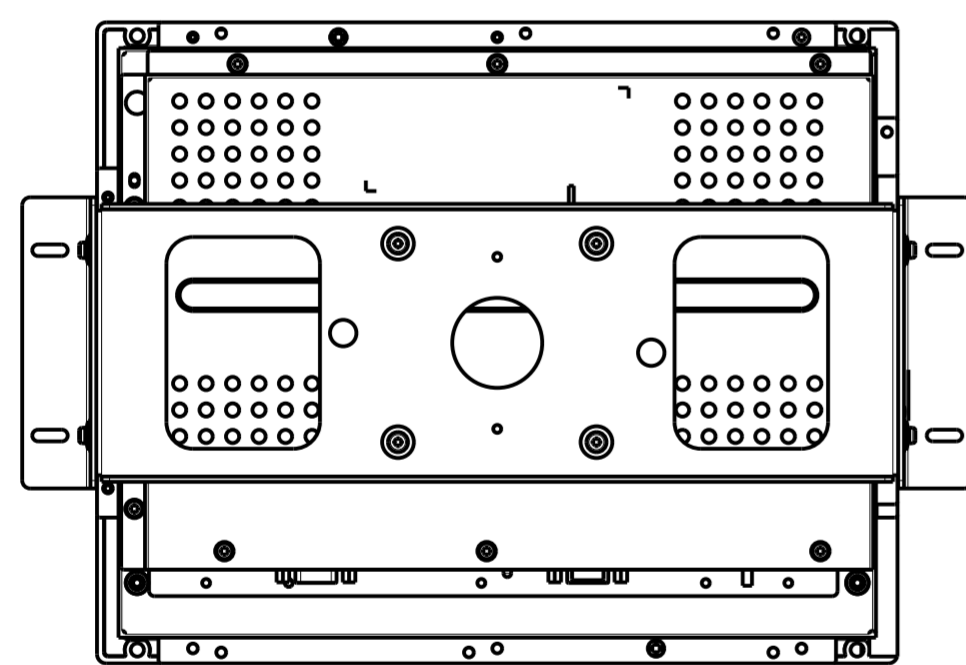
VERTICAL MOUNT



NO BRACKET MOUNT



4X CUSTOMER OPTION  
SEE NOTES



NOTES FOR ALL MOUNTING OPTIONS BELOW:

1. ALL DRAWING CENTERS ARE THE CENTER OF THE VIEWABLE AREA.
2. LCD PANEL CUTOUT DIMENSIONS IN OPTION 1 APPLIES TO ALL MOUNTING OPTIONS.
3. IF CUSTOMER KIOSK MATERIAL IS WOOD:  
 $\phi$  4.5 HOLES THRU FOR M4 SCREWS W/ NUTS,  
 OR NO THRU HOLES, SCREWS FOR WOOD  $\phi$  4.
4. IF CUSTOMER KIOSK MATERIAL IS SHEETMETAL:  
 CONCEALED HEAD THREADED STUDS M4 W/ NUTS.