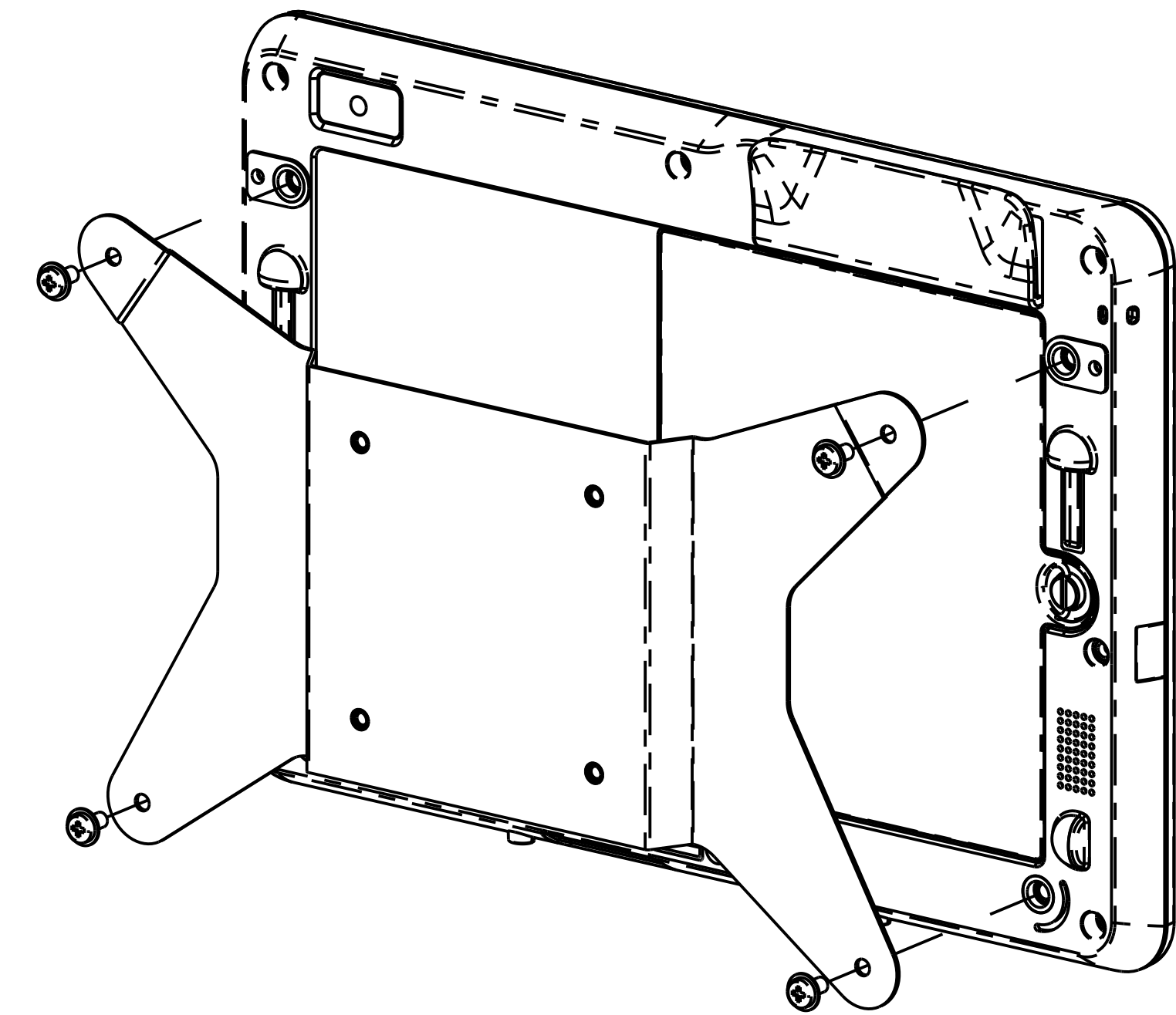
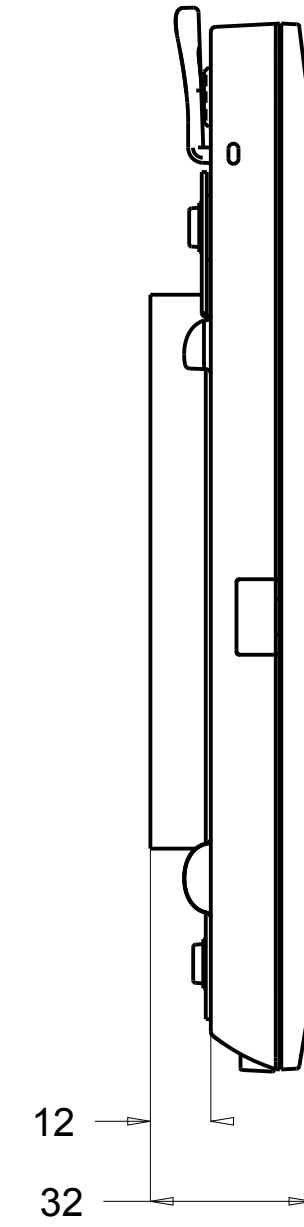
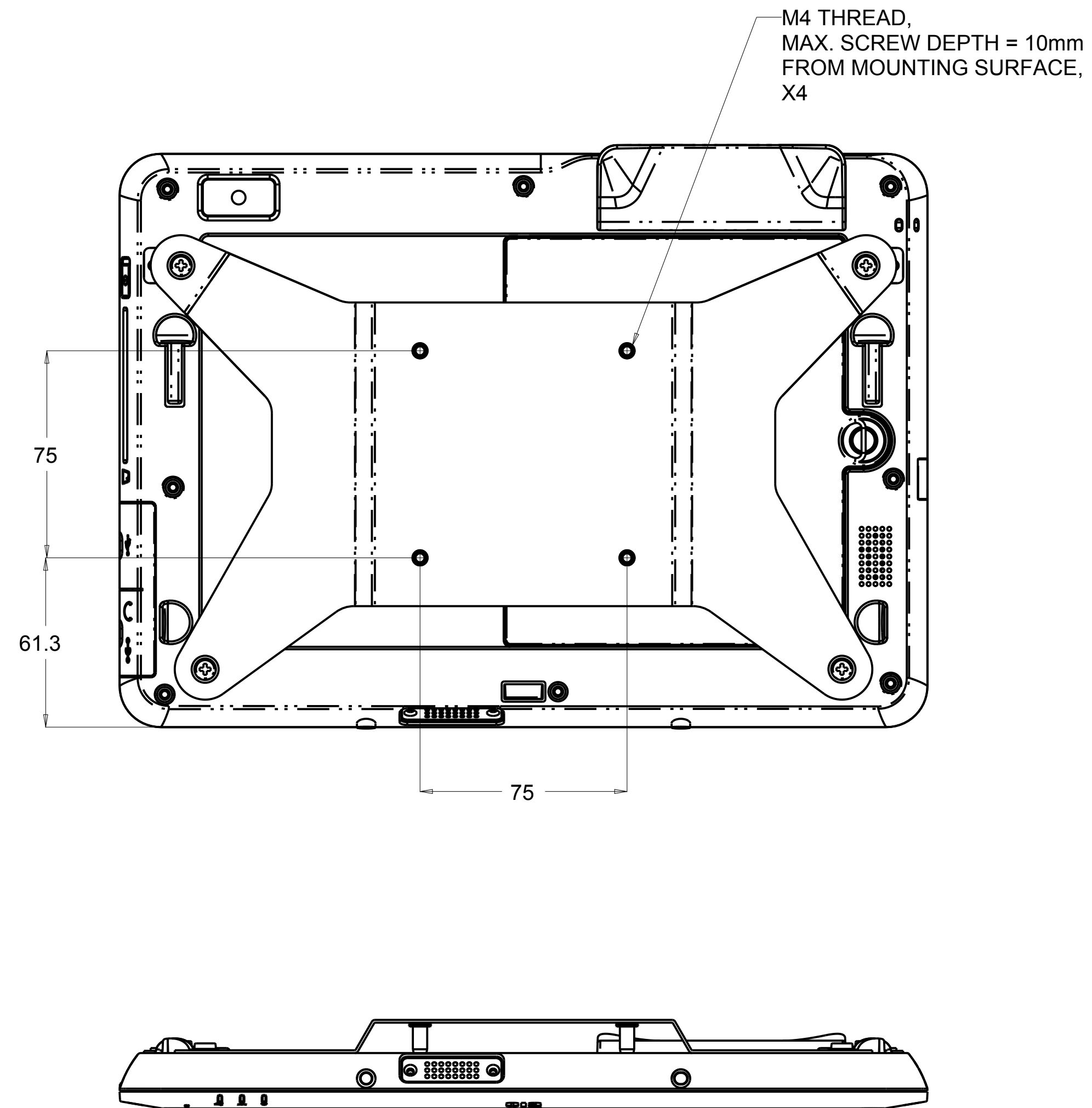
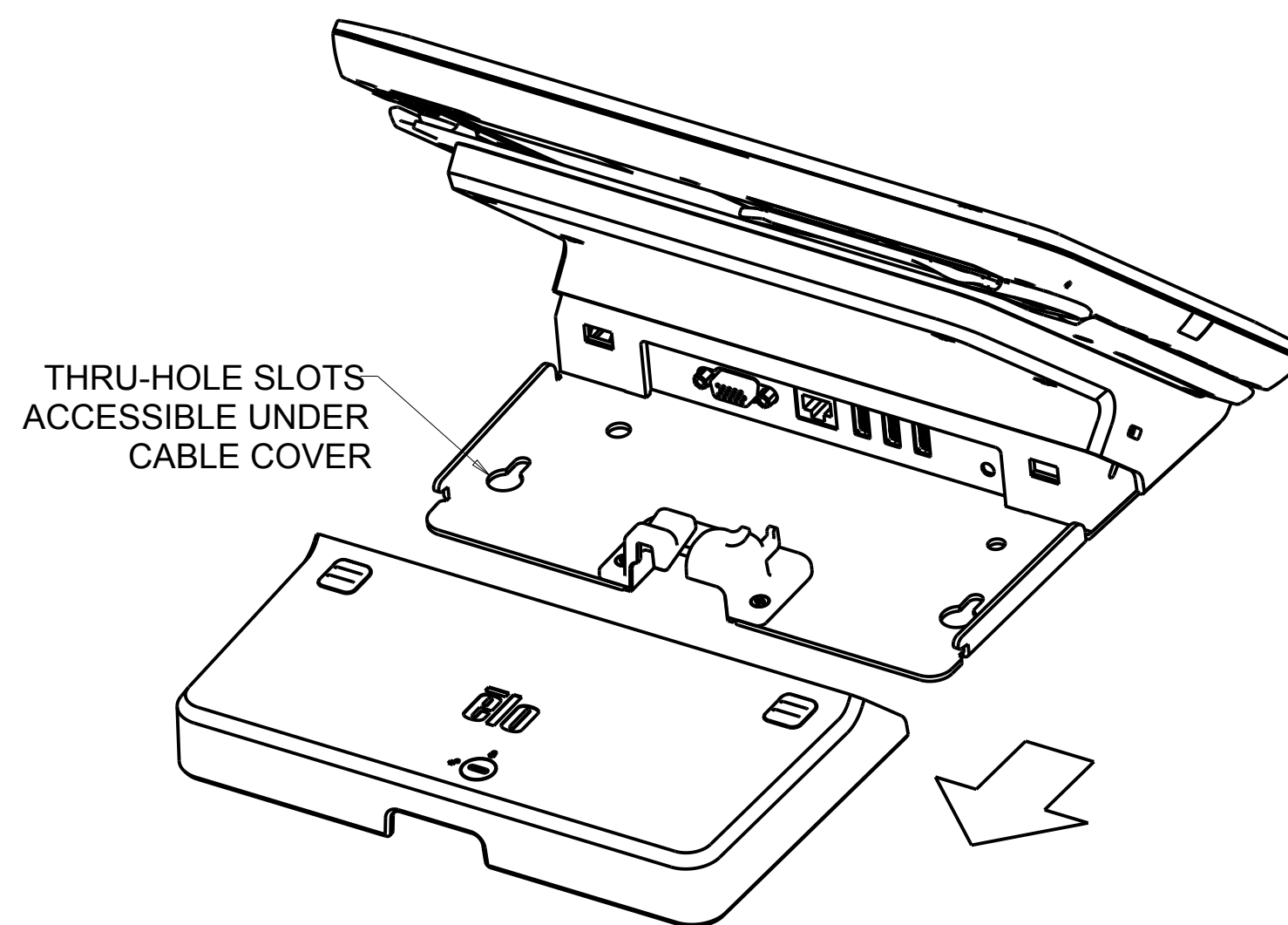
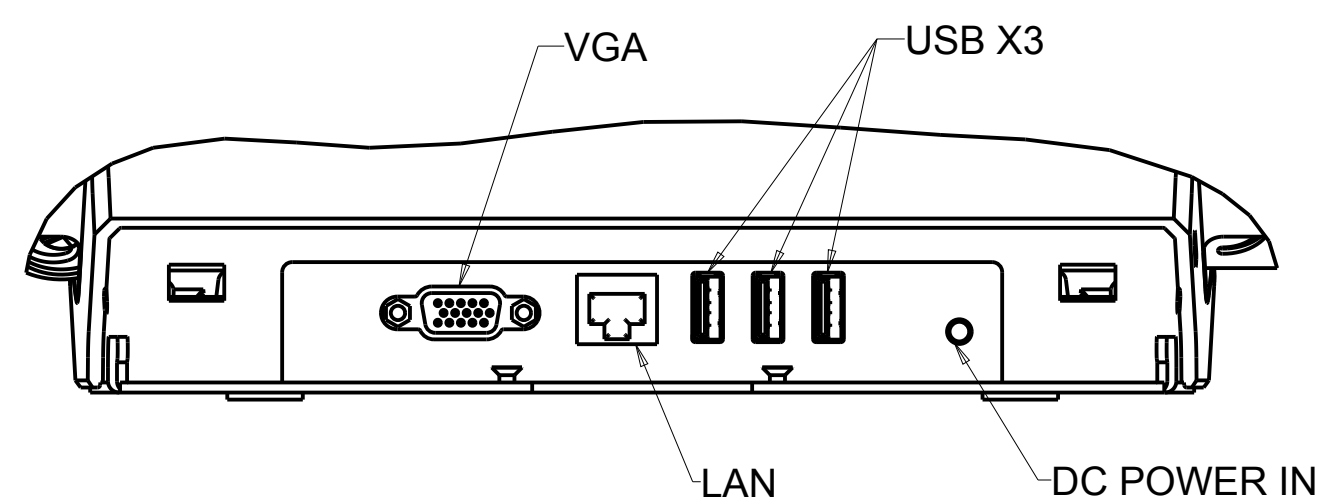
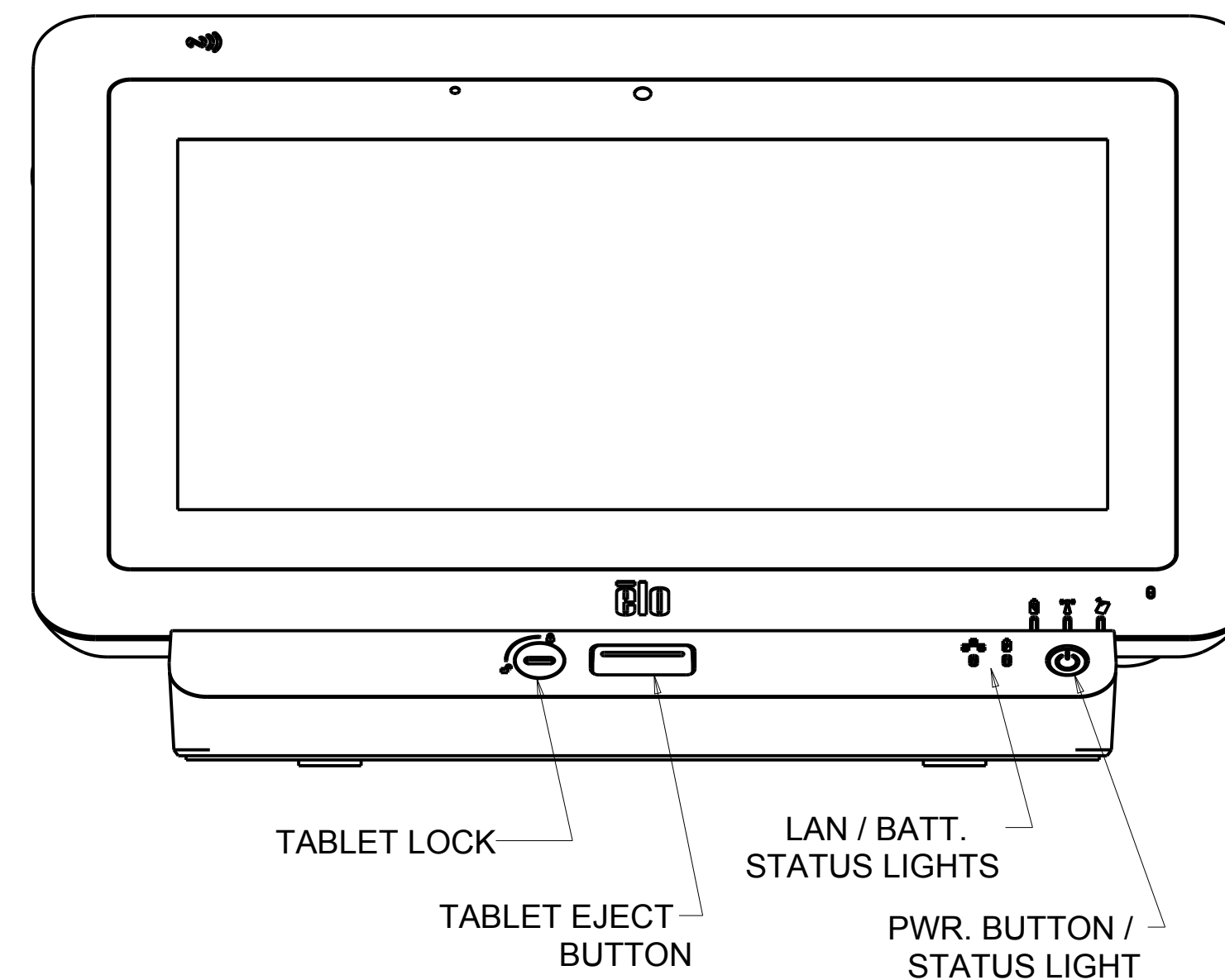
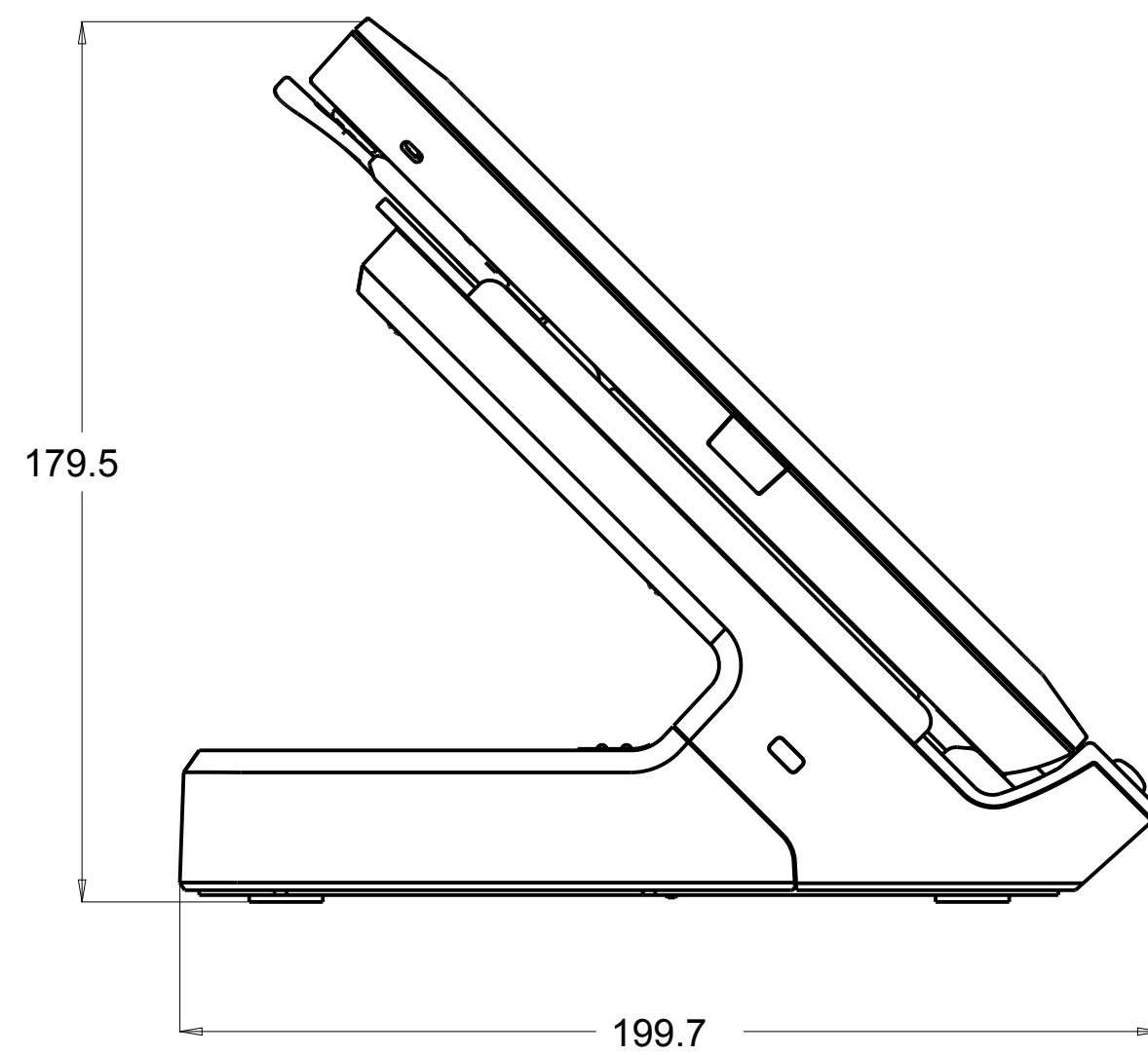
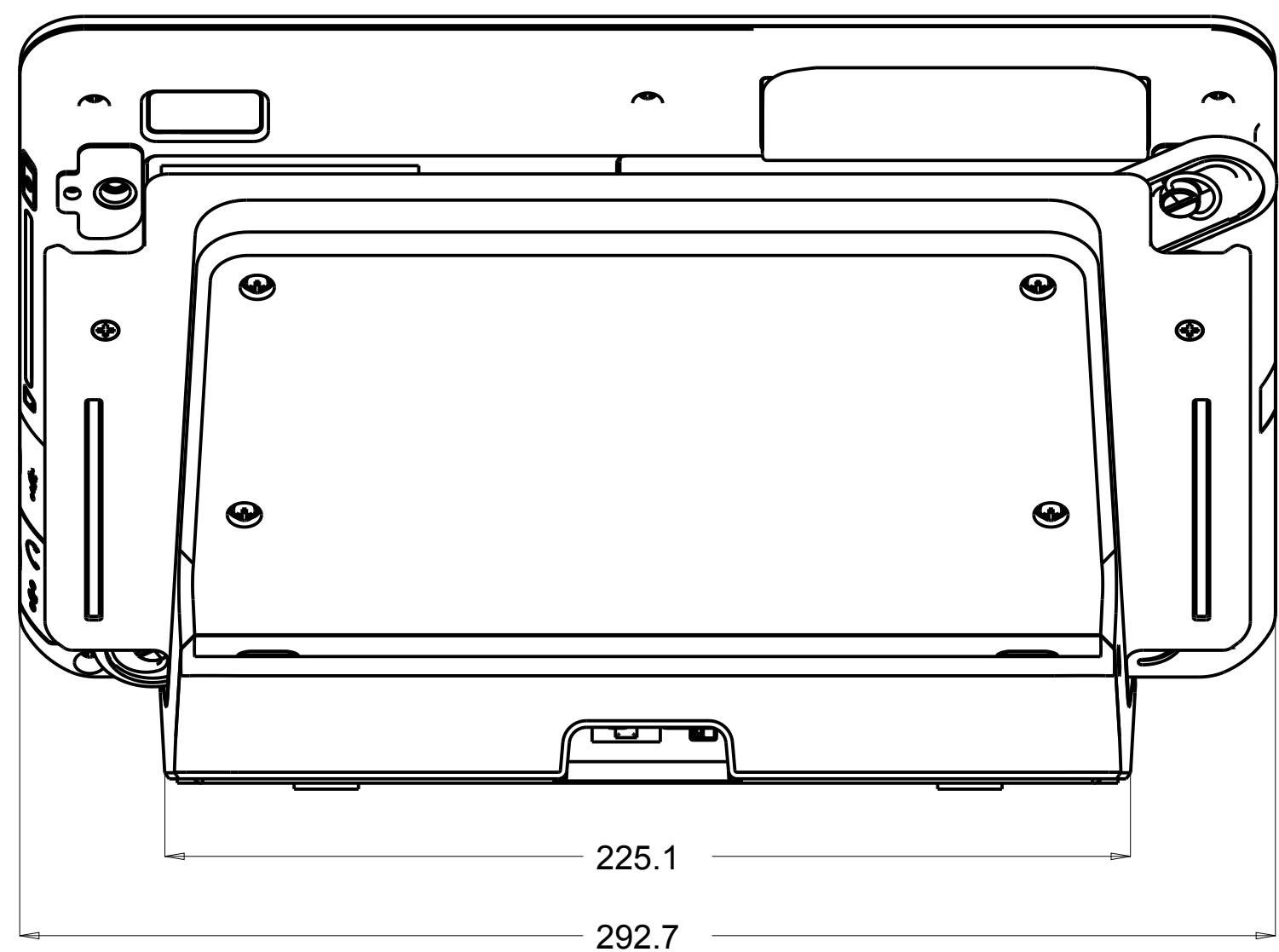


OPTIONAL VESA MOUNT BRACKET,
P/N E624438

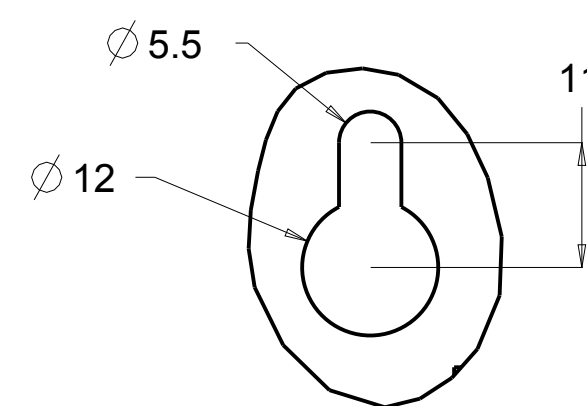
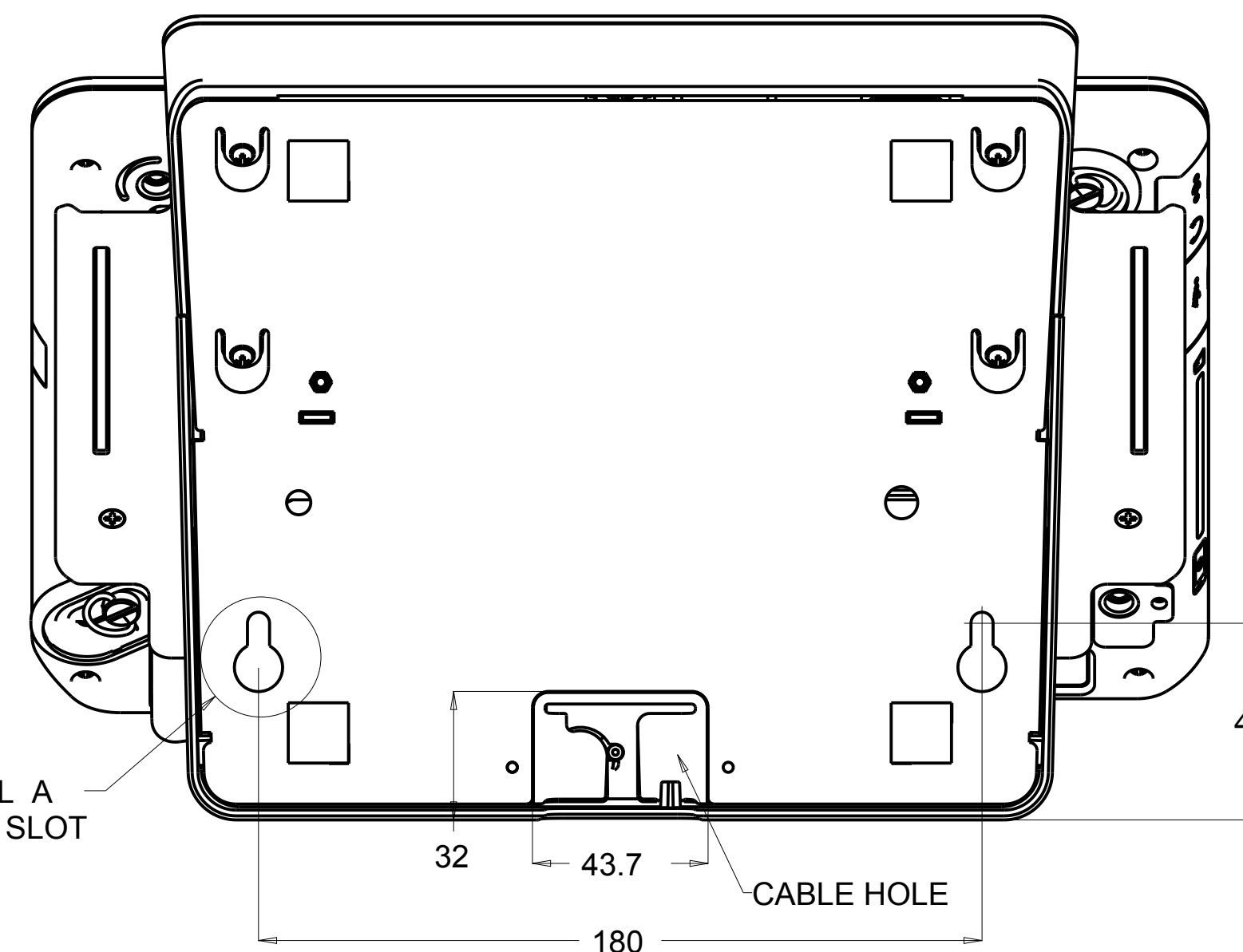


Dimensional Drawing, ETT10A1

OPTIONAL DOCKING STATION, P/N E518363



SEE DETAIL A THRU-HOLE SLOT



DETAIL A
SCALE 1.500