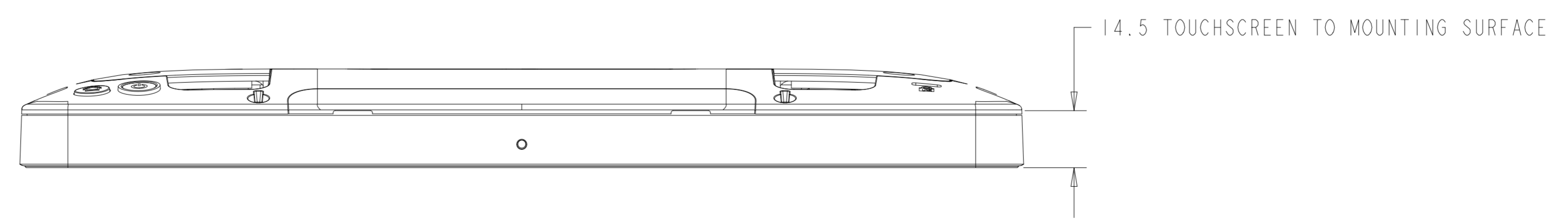
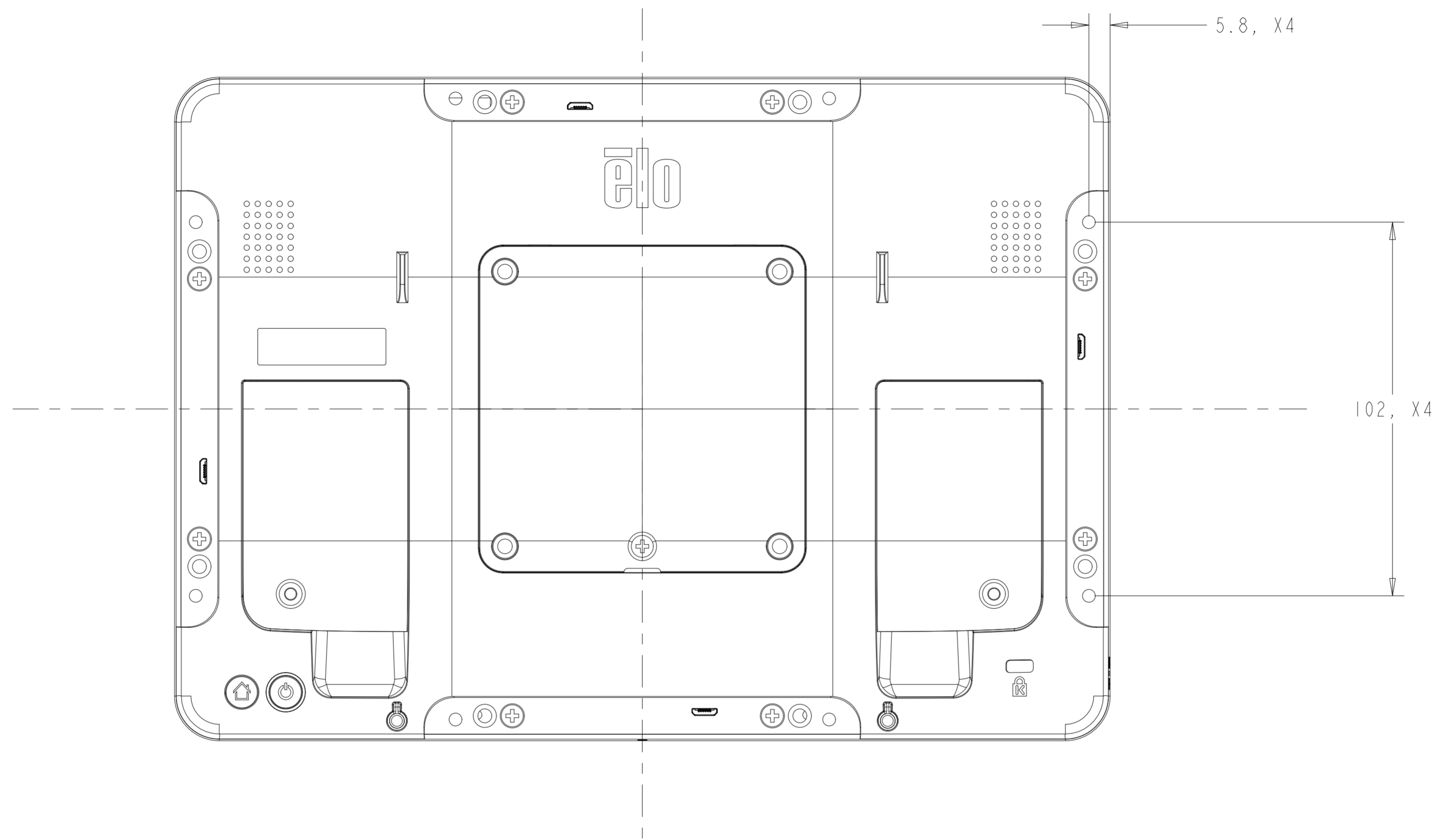
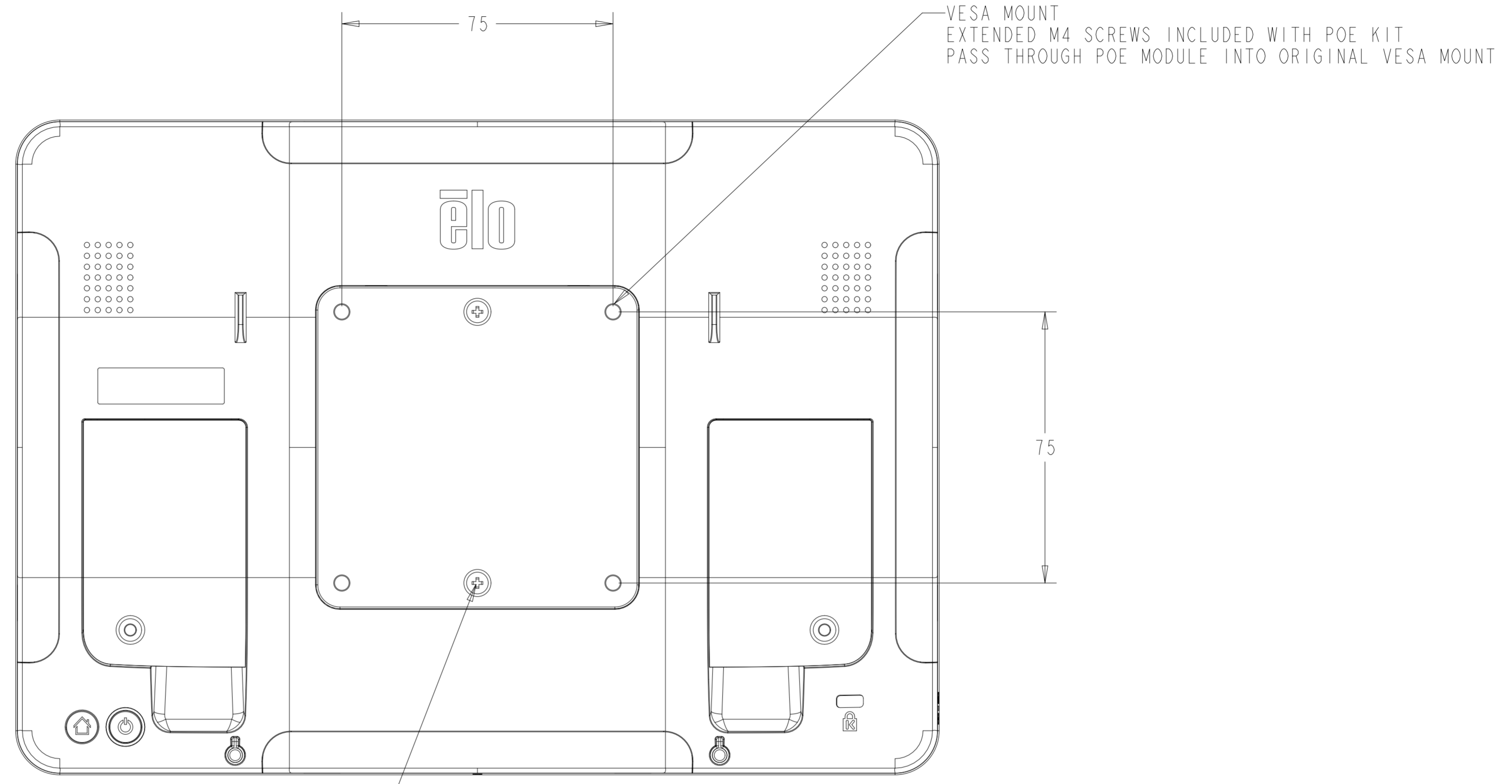


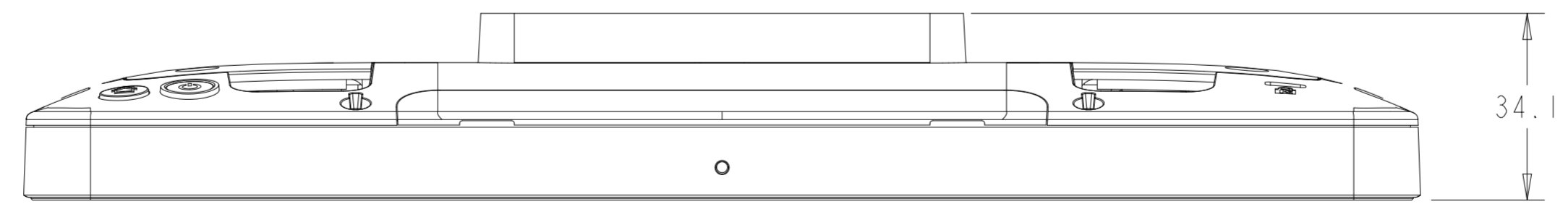
OPTIONAL PERIPHERAL MOUNTING INTERFACE



OPTIONAL POWER OVER ETHERNET KIT (POE) PN E615169
POE COVER REMOVED AND POE PERIPHERAL INSTALLED



MOUNTING SCREWS X2 TO SECURE POE PERIPHERAL INTO POE DOCKING BAY



OPTIONAL WALLMOUNT KIT PN E802400

