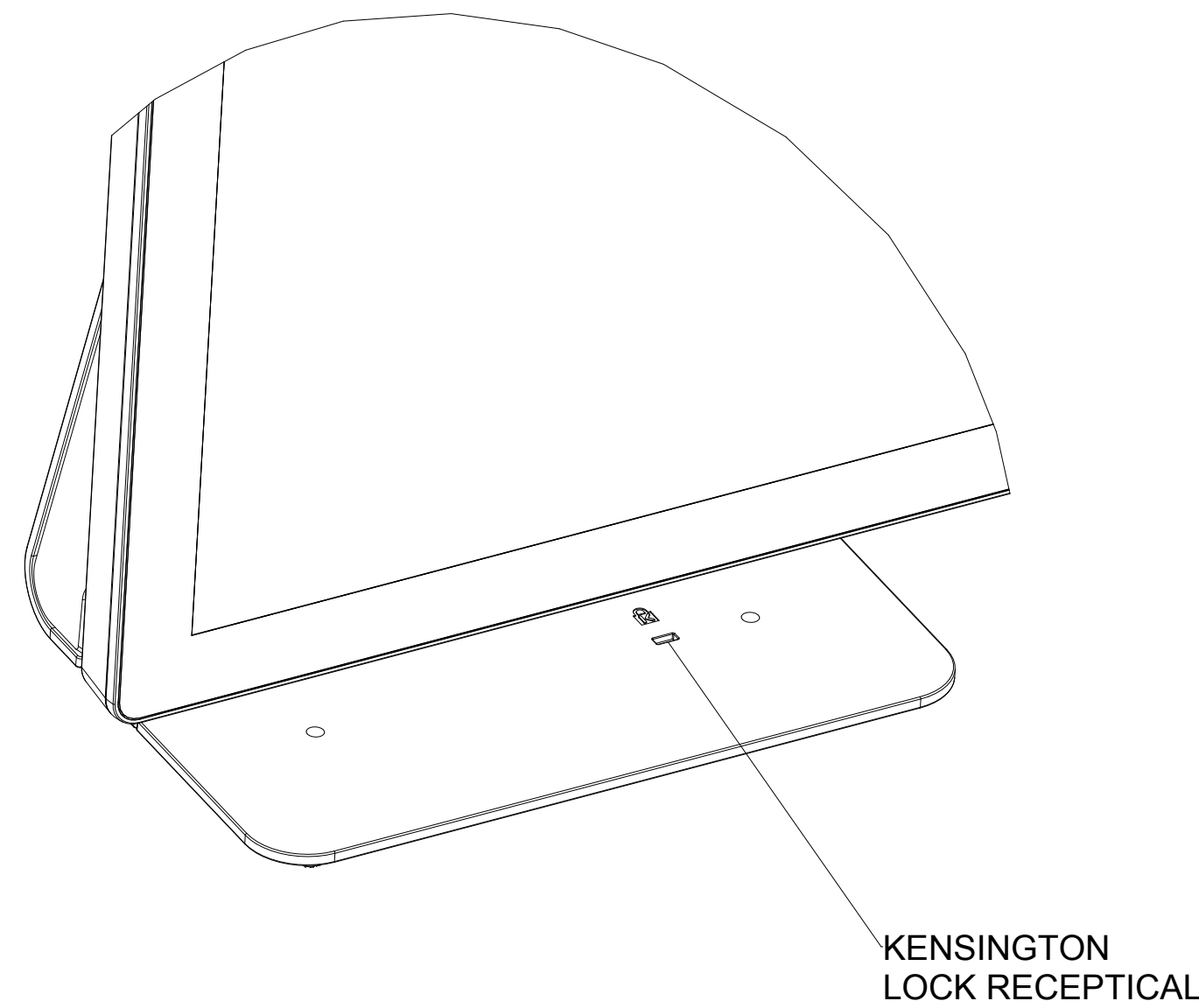
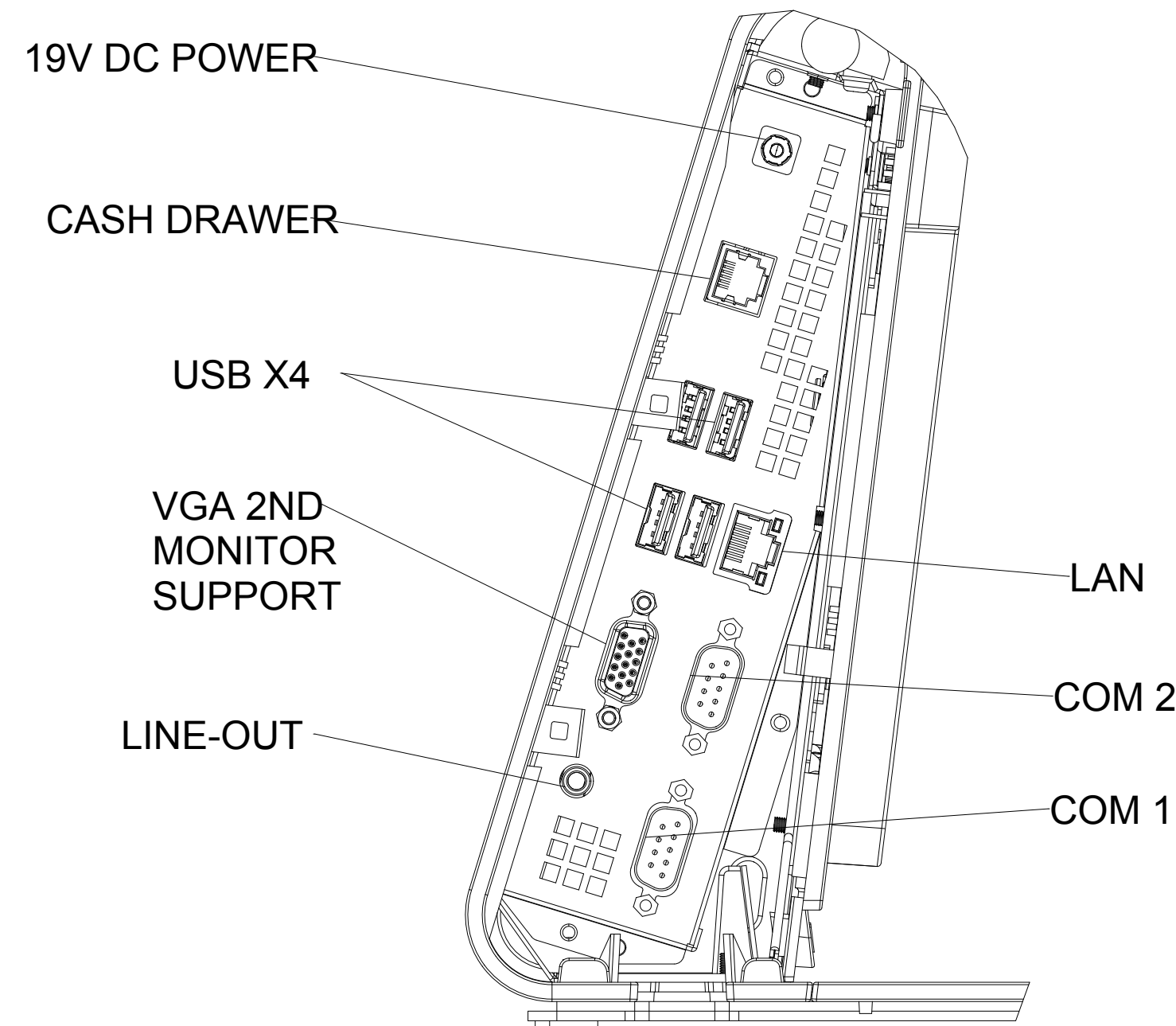
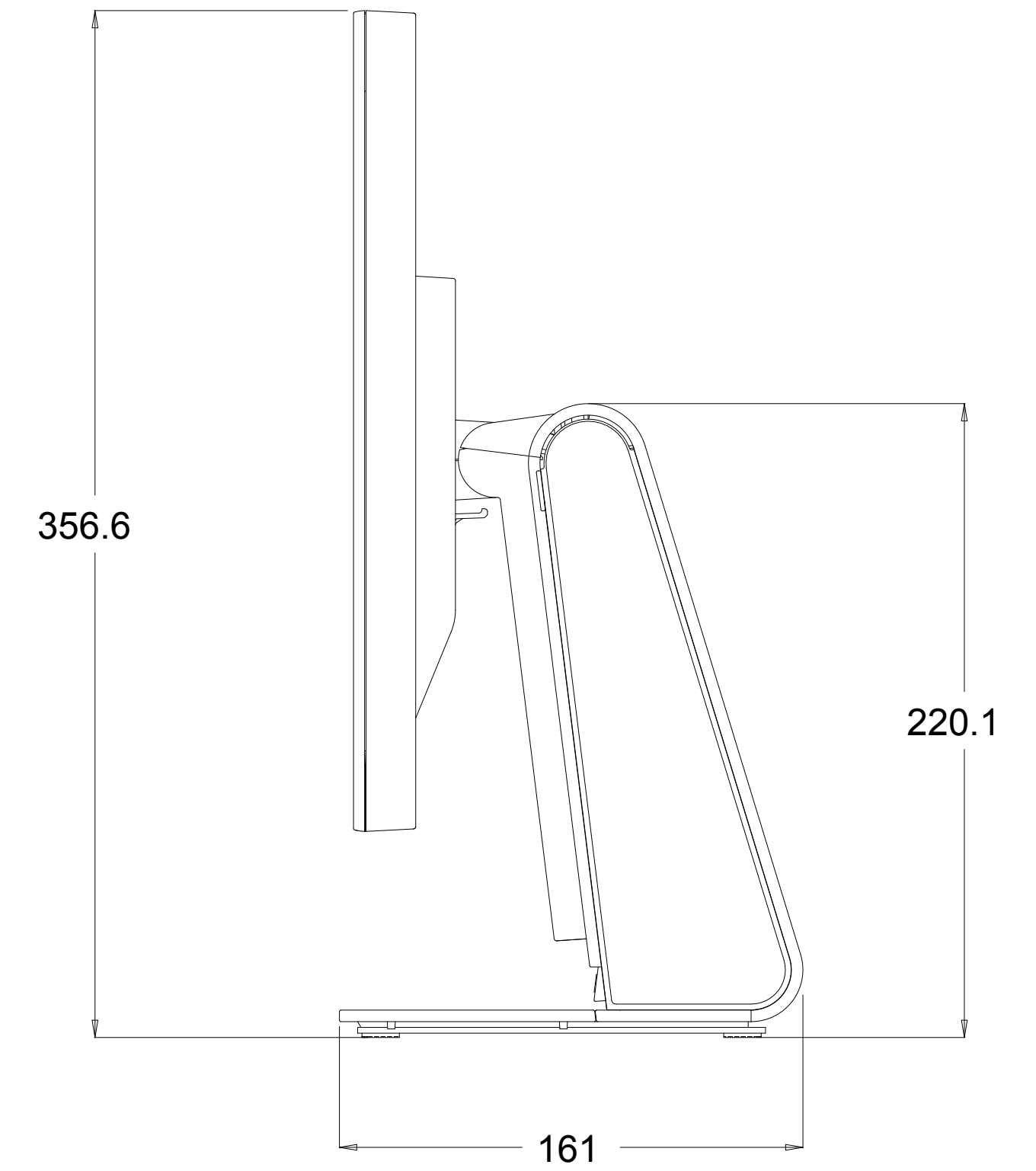
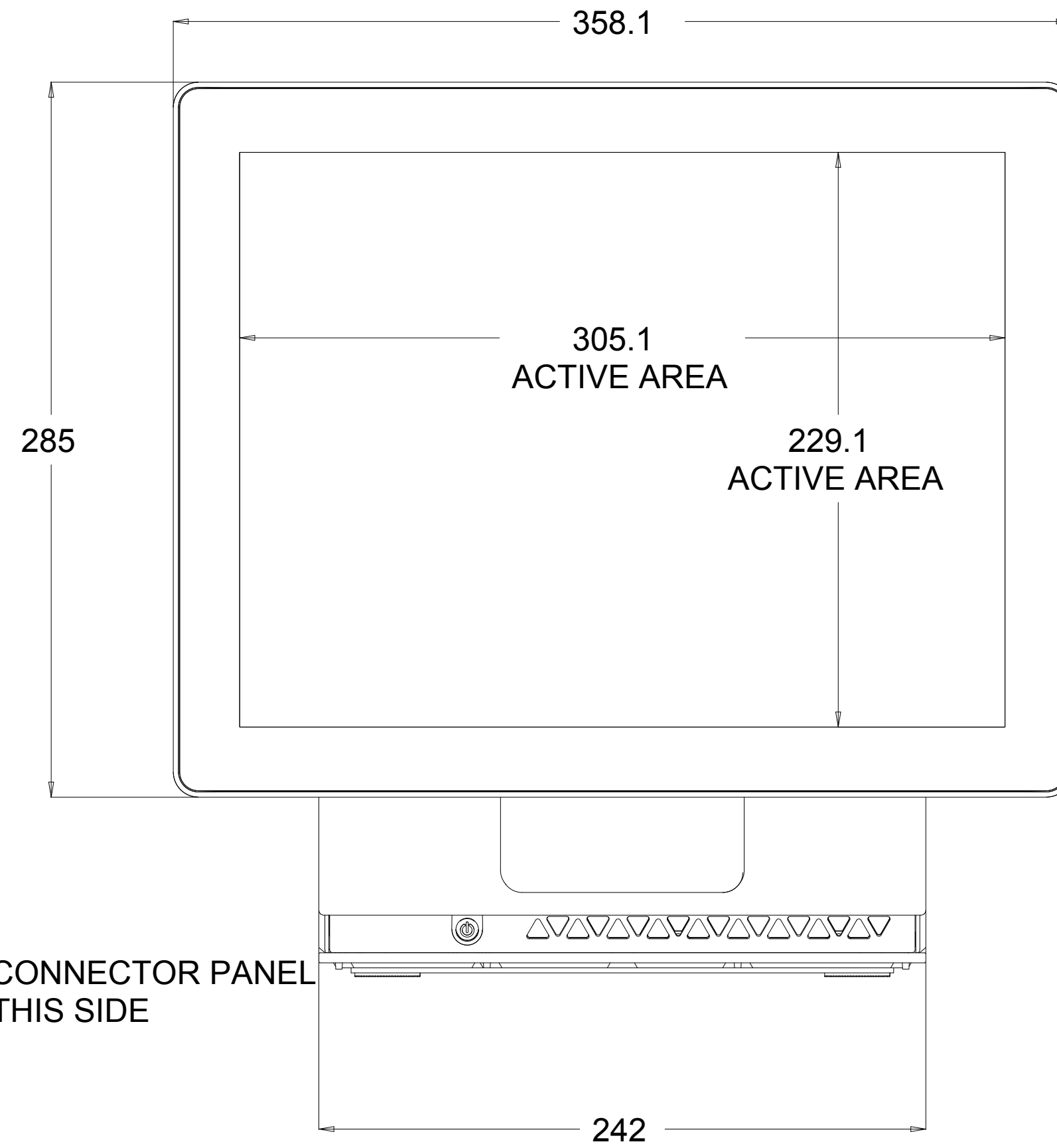
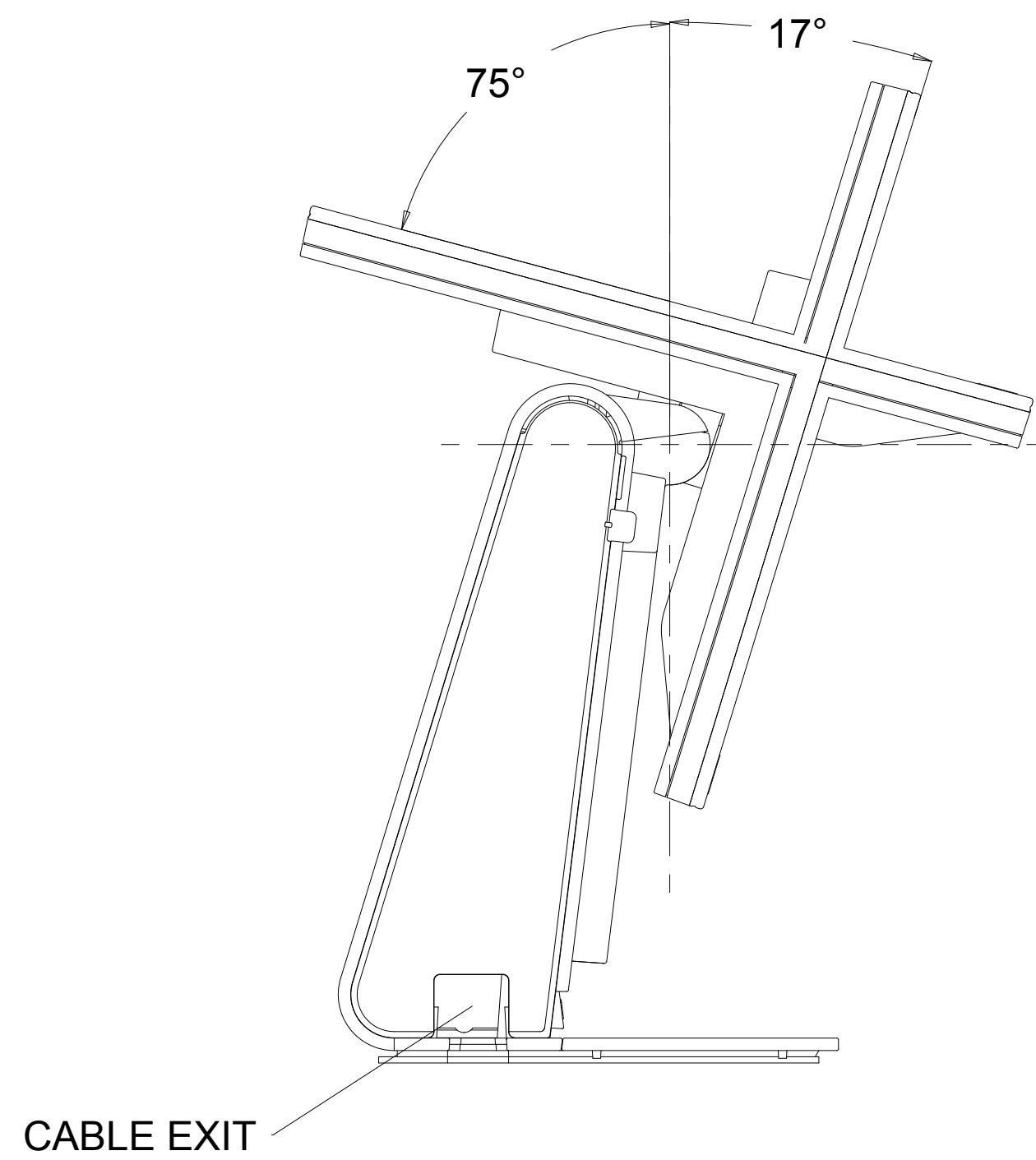
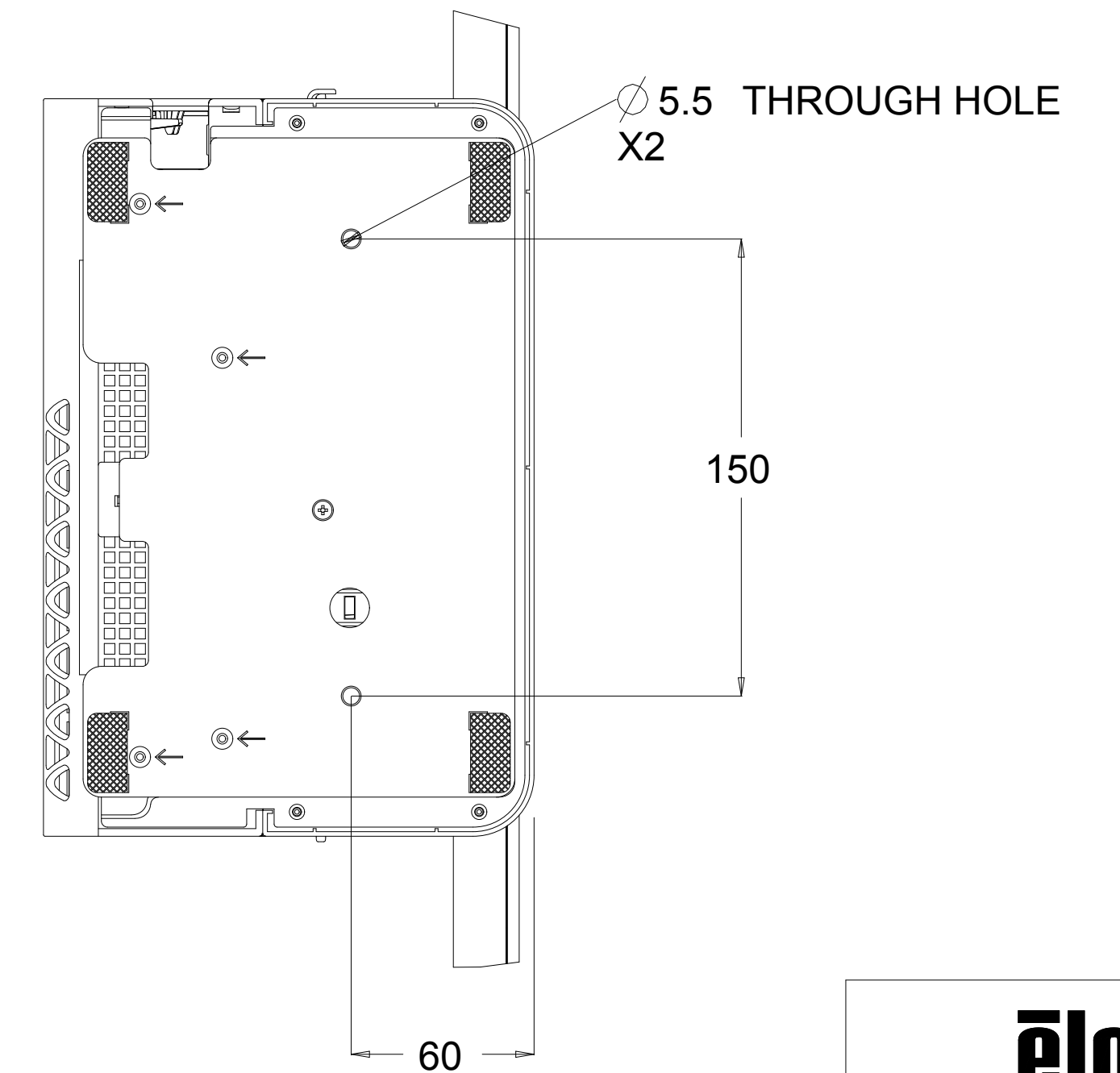


DIMENSIONAL DRAWING, 15E3-REV-A



MOUNTING HOLES AVAILABLE



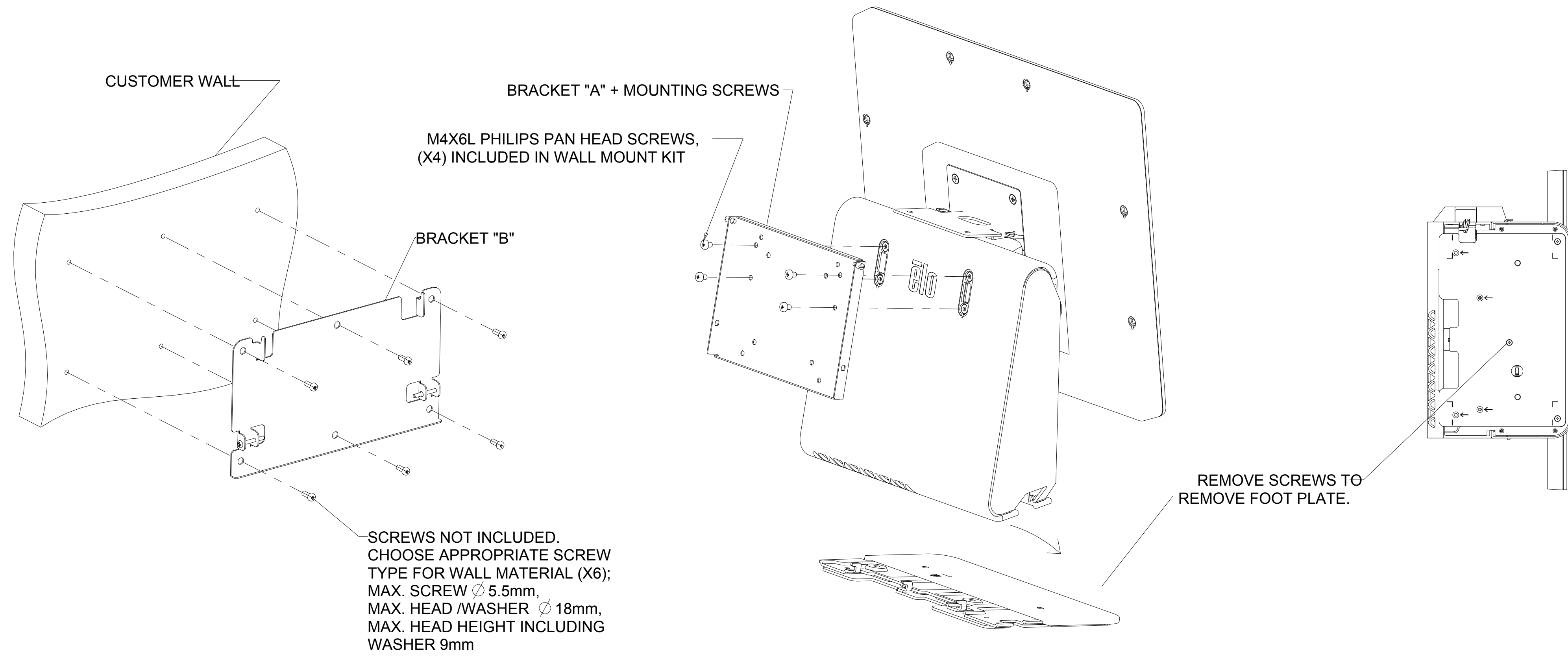
DIMENSIONS ARE IN MILLIMETERS

SHEET 1 OF 4

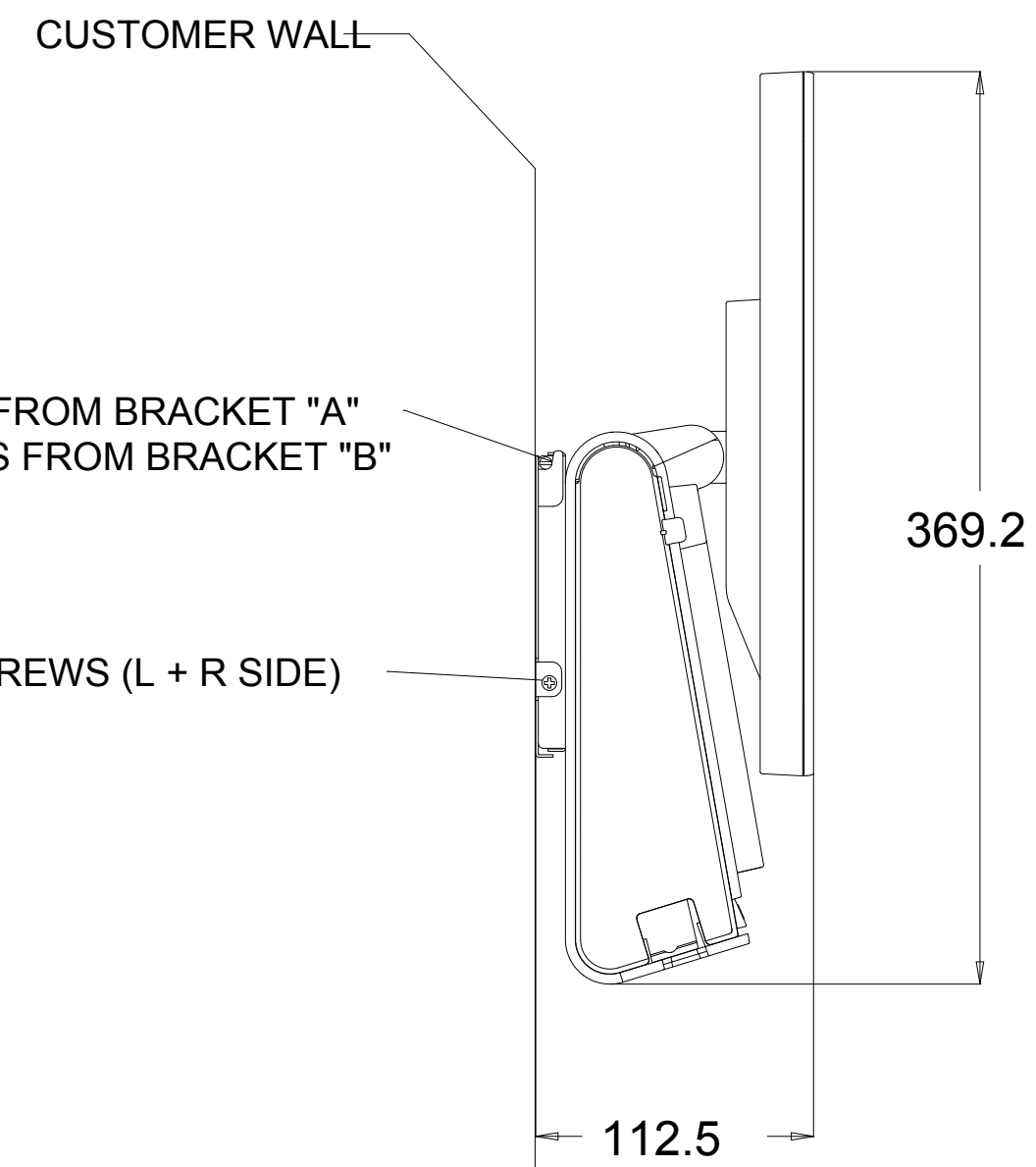
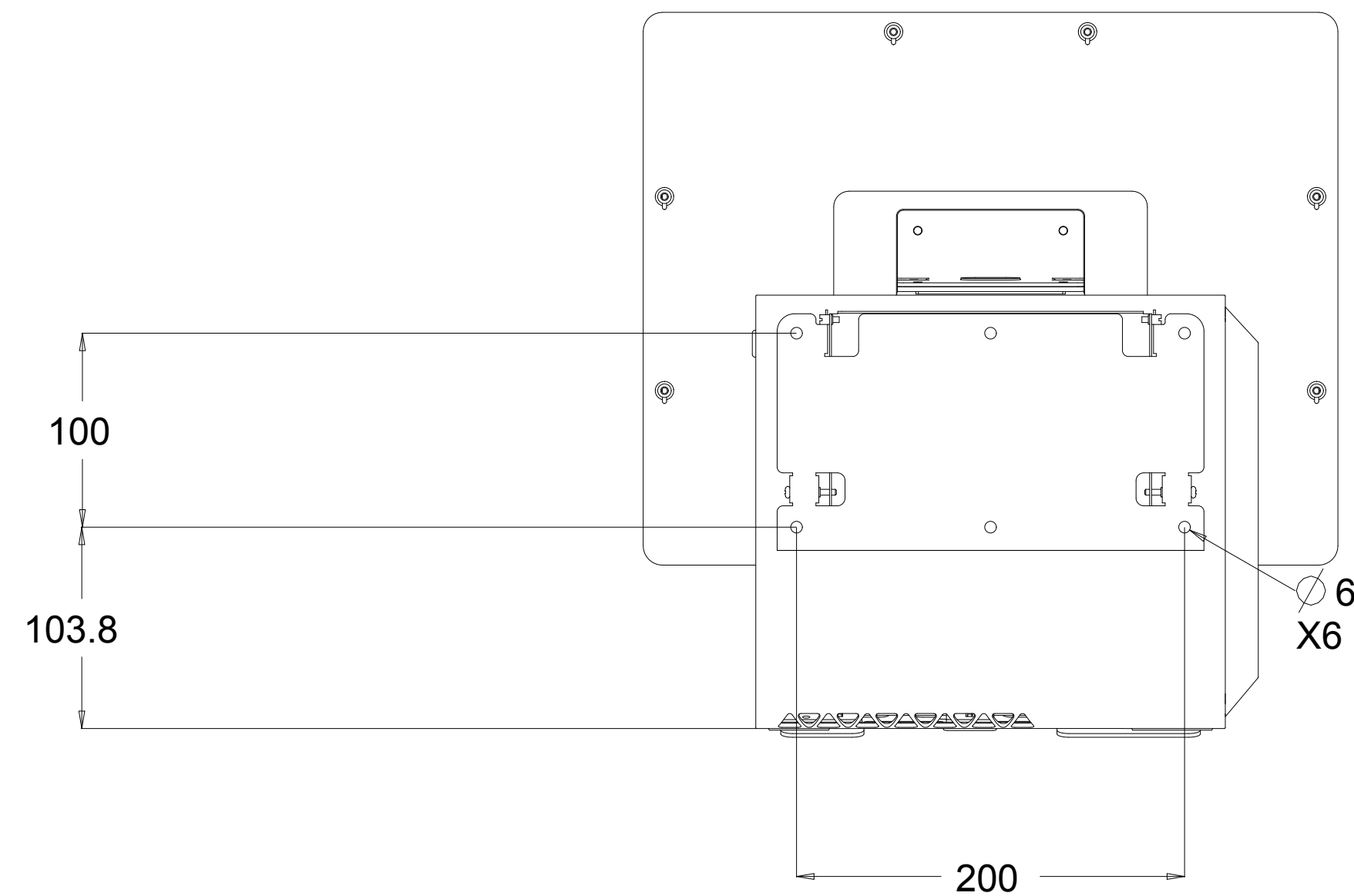
elo

MS602004
DATE: 05/26/2017
REV: A

WALL MOUNT WITH OPTIONAL BRACKET ASSEMBLY

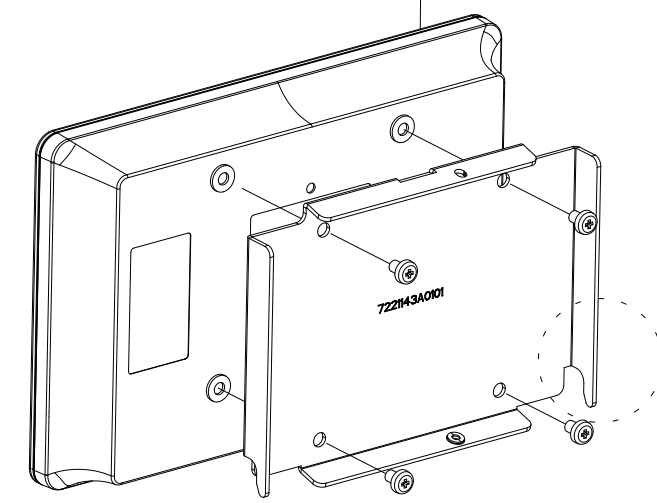


DIMENSIONS FROM BRACKET "B" TO COMPUTER WHEN MOUNTED TO WALL.

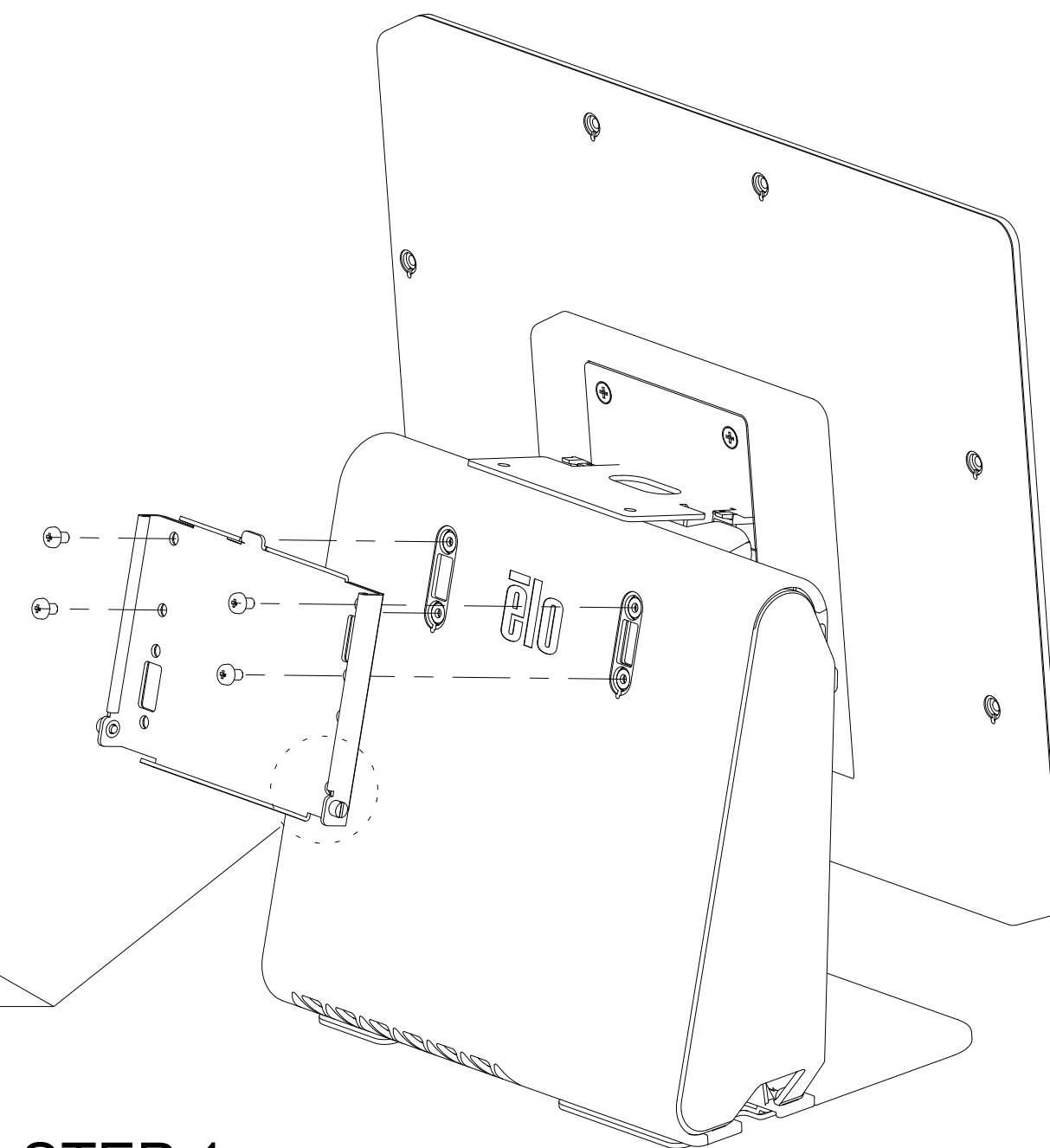


2ND MONITOR MOUNT WITH OPTIONAL BRACKET ASSEMBLY

OPTIONAL ET0700
MONITOR / TOUCH MONITOR
SHOWN AS REFERENCE

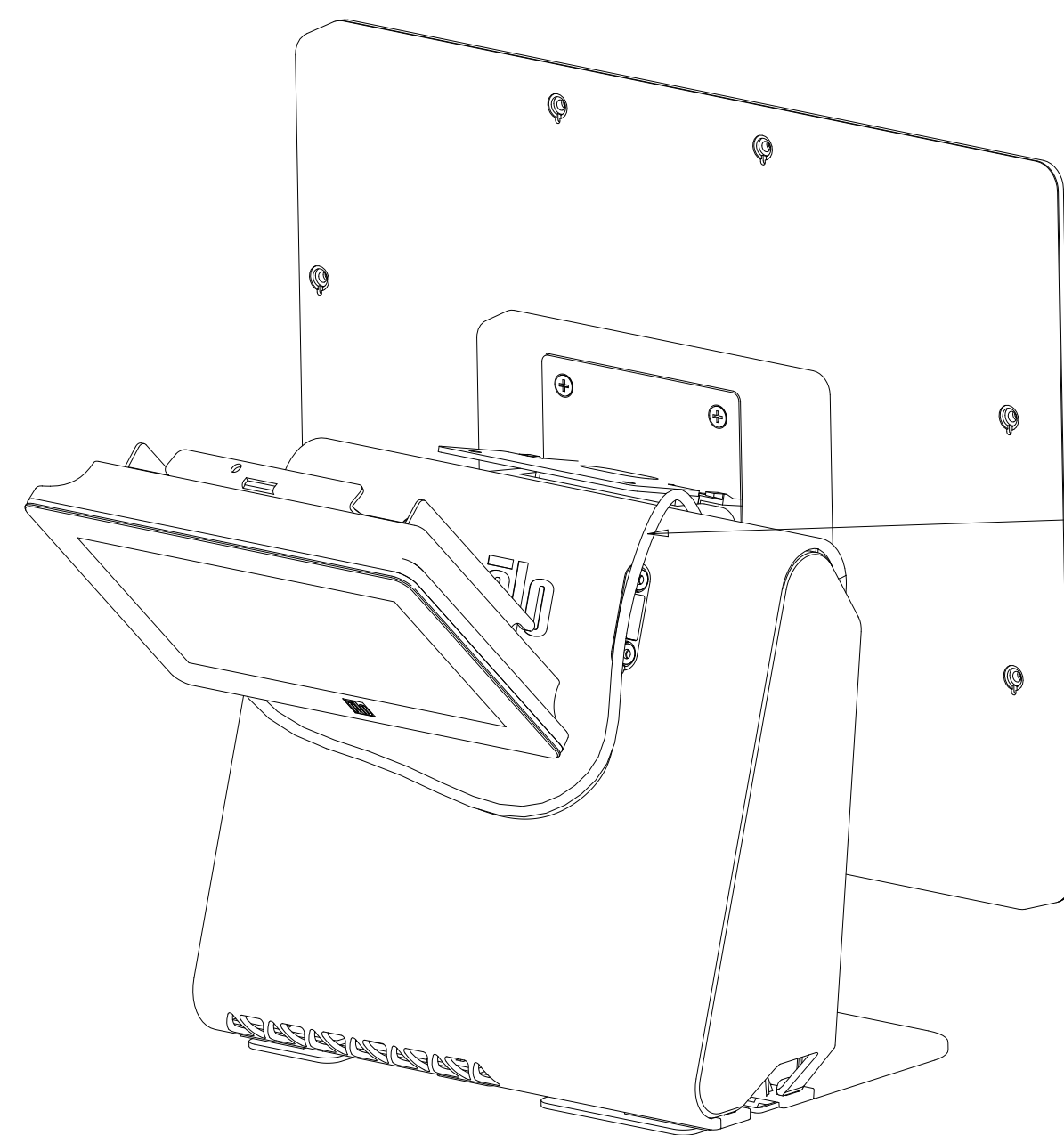


ATTACHED MOUNTING PLATE
(PLATE HAS 75X75mm VESA HOLE PATTERN)
TO MONITOR WITH (4)
M4 SCREWS PROVIDED



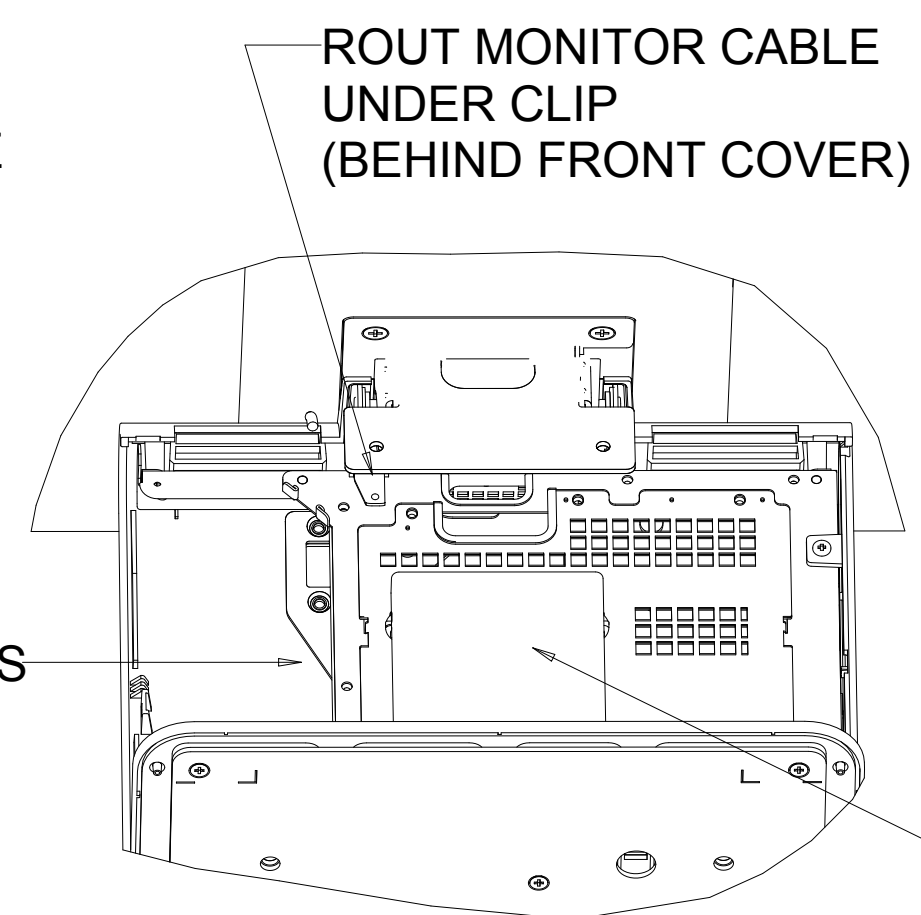
HOOK AND PIN
FACE DOWN

STEP 1



ROUTE MONITOR CABLE
TO FRONT OF UNIT

STEP 2

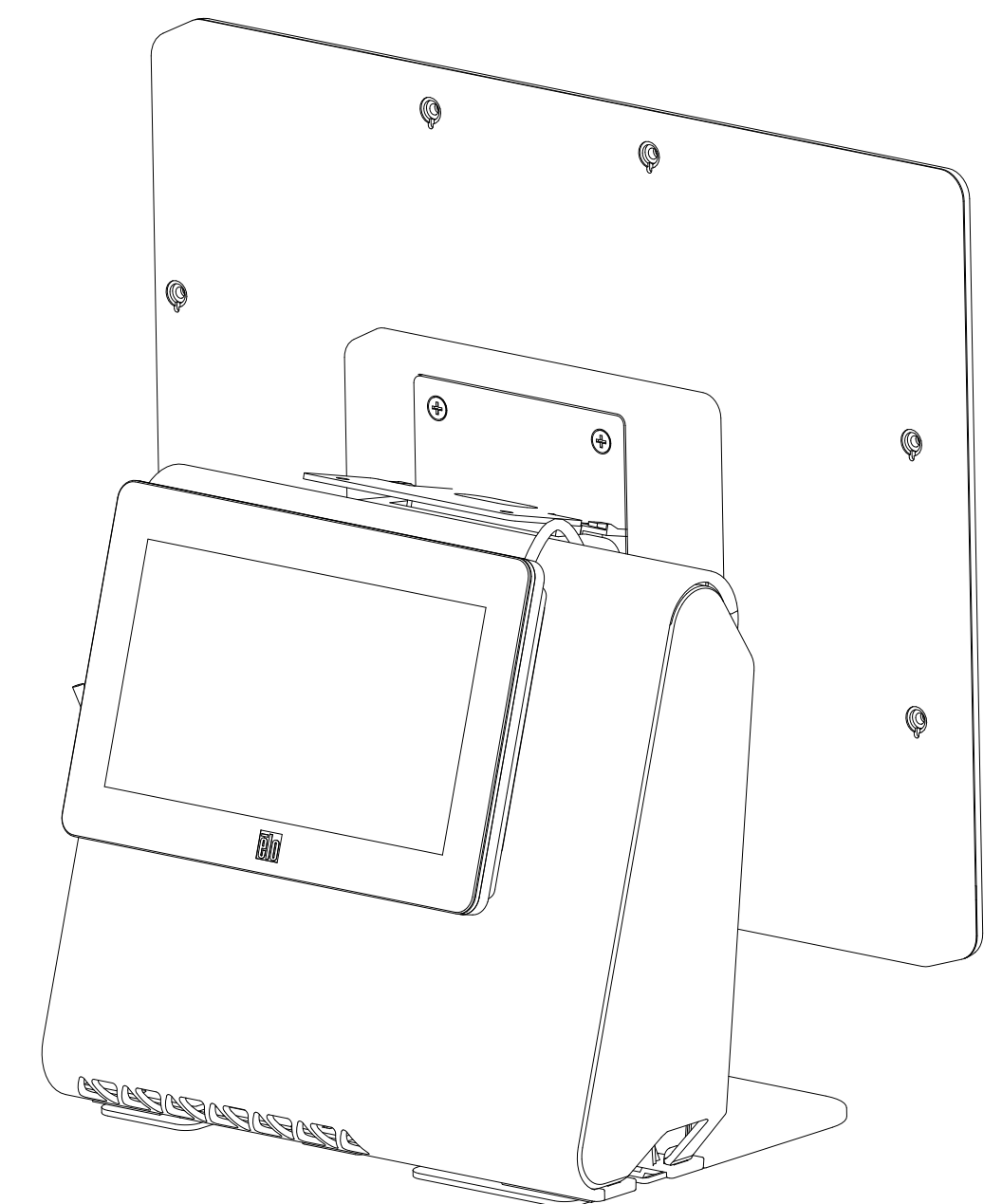


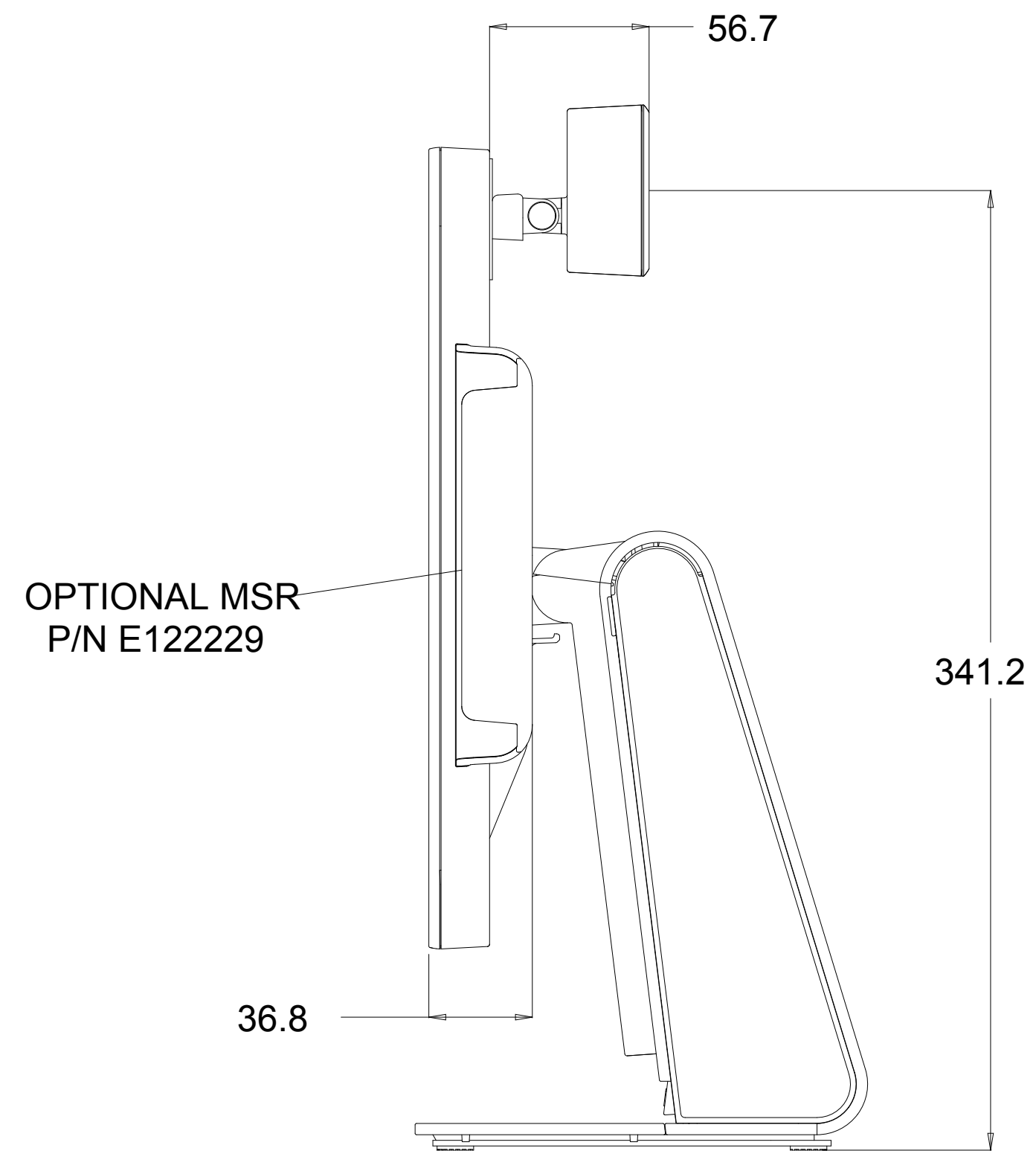
ROUT MONITOR CABLE
UNDER CLIP
(BEHIND FRONT COVER)

I/O CONNECTORS

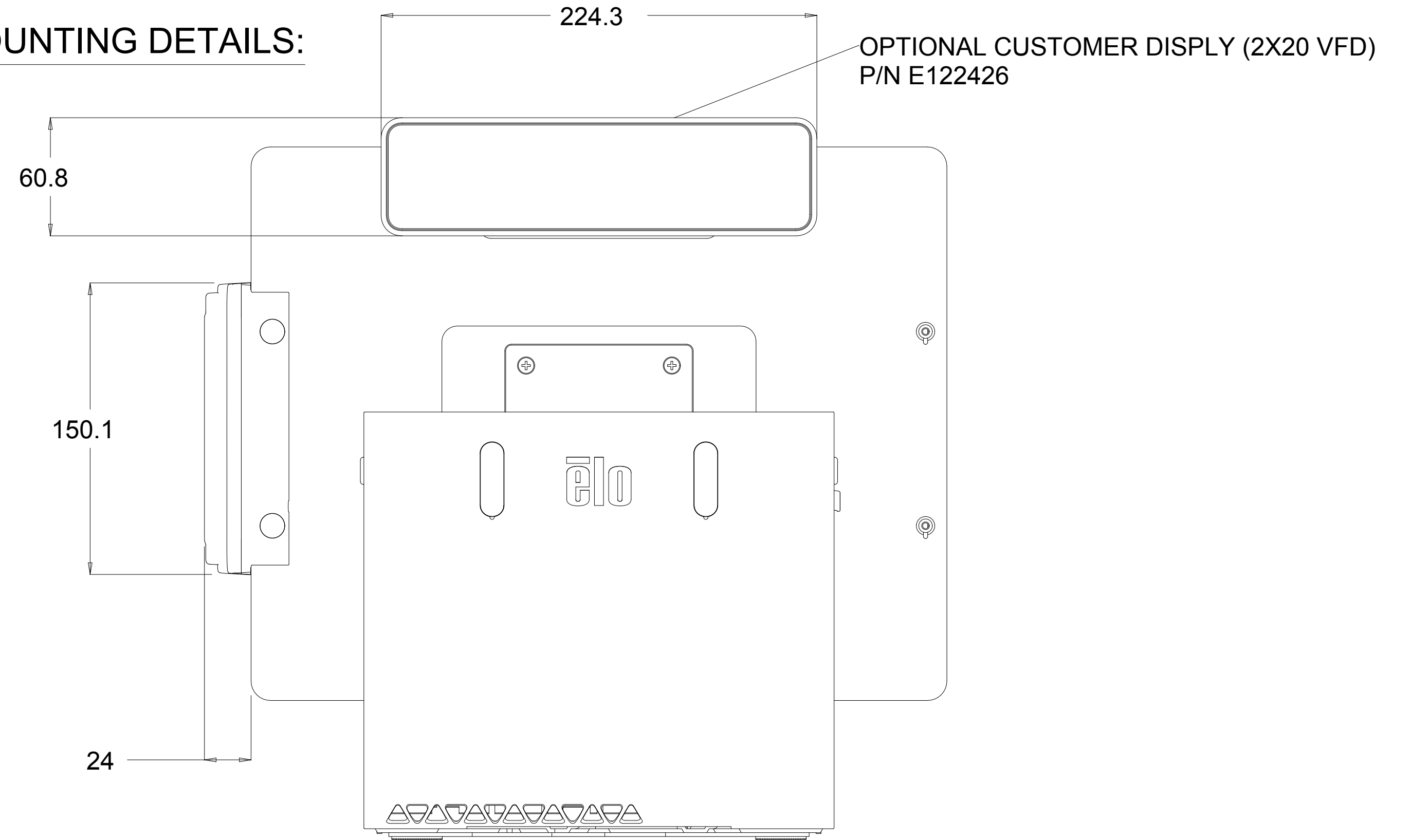
SHOWN WITH FRONT
COVER REMOVED

STEP 3





ACCESSORY MOUNTING DETAILS:



ACCESSORY CABLE ROUTING DETAILS:

